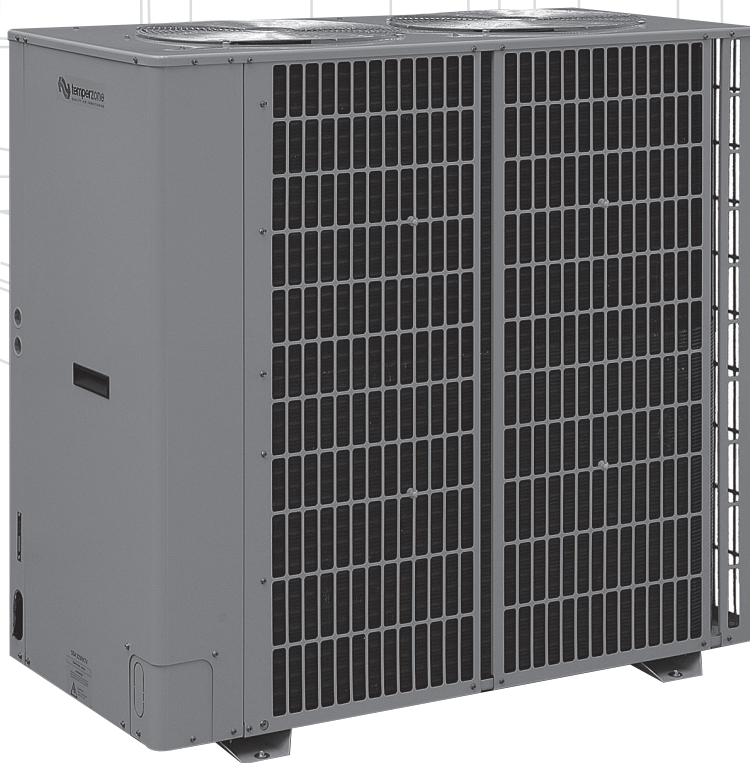
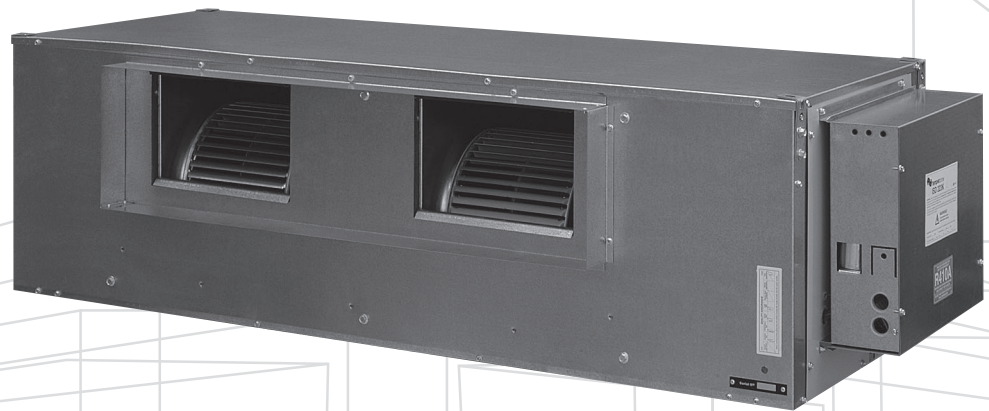


Ducted Split System Air Conditioner

Technical Data ISD 210K / OSA 210RKTVG



R410A

diGital

**TZT-701 Controller &
Digital Scroll Compressor
for close temperature control**



**Extra Long Life
Epoxy Coated Outdoor Coil**

**Nominal Cooling Capacity
21.8 kW**

ISD 210KG-DN / OSA 210RKTGV DUCTED SPLIT SYSTEM AIR CONDITIONER

GENERAL

The ISD indoor unit, together with its associated OSA outdoor unit, provides a reverse cycle (heat pump) split system air conditioner designed and developed to comply with and exceed AS/NZS 3823 specified conditions (i.e. guaranteed cooling cycle performance at 43°C outdoor temperature).

APPLICATIONS

These units have been specifically developed for air conditioning of light commercial and residential premises, e.g. offices, motels, shops and homes.

Suitable for applications using full or high proportions of fresh air. Also suitable for VAV, close control and supply air temperature control.

Air Flow Selection

If the air returning to the indoor coil is regularly expected to be above 50%RH, then the coil face velocity should be limited to be 2.5 m/s or less.

High humidity levels can occur in tropical or subtropical conditions, and/or when heavily moisture laden fresh air is introduced. Consideration must always be given to selecting an air flow and face velocity that avoids water carry-over problems.

FEATURES

Digital Scroll Compressor. Provides a variable capacity ability that enables closer control of room temperature. This is achieved by avoiding on/off cycling of the compressor. These compressors have proven very reliable because of their design simplicity. Electrical harmonic noise is very low.

Refrigerant R410A. Each complete system uses refrigerant R410A which is deemed to have zero ozone depletion potential.

Efficient. The outdoor unit incorporates a high efficiency scroll compressor. Heat exchange coils incorporate inner grooved (rifled) tube for better heat transfer.

Performance. A dynamically balanced forward curved fan with a multi-speed motor enables fine tuning of the indoor unit to match the supply air requirements. The system includes a temperature sensing head pressure control which enables the system to compensate for outdoor ambient temperatures below 20°C on cooling cycle, and above 15°C on heating cycle.

User Friendly. The air conditioning system is supplied with a TZT-701 Controller.

This thermostat has been designed to maintain a high level of comfort for room occupants. Emphasis has been placed on providing controls that are easy to use — despite the sophisticated microprocessor system that runs it. Use of the Auto and Timer function settings allows you to "set it and forget it".

Quiet. The compressor is isolated in a built-in, insulated compartment to minimise noise. The indoor unit is also insulated for noise attenuation.

Slimline. The compact up-right design of the outdoor unit requires only a 150 mm gap on the coil side where installation is against a wall. Its slimline cabinet is particularly practical where there is restricted space, e.g. side access pathways, balconies, narrow ledges, etc. The unit is free standing, but can be fitted on a wall using the optional wall mounting brackets.

Durable. The outdoor coil fins are epoxy coated for extra protection in corrosive environments, e.g. salt laden sea air. The outdoor unit's cabinet is constructed from high grade galvanised steel - polyester powder coated (grey) for all weather protection (IP 45). External fasteners are stainless steel. Heat exchange coils comprise aluminium plate fins on mechanically expanded rifled copper tube. The indoor unit's cabinet is constructed from high grade galvanised steel and also includes a plastic drain tray for complete corrosion resistance.

Service Access. The indoor unit's built-in drain tray can be removed for ease of cleaning and service accessibility. For added peace of mind, a safety drain tray is supplied with every indoor unit.

Insulation. Closed cell foam insulation has been used in the indoor unit's cabinet to ensure no particles are introduced into the air stream. The insulation is foil faced and meets fire test standards AS 1530.3 (1989) and BS 476 parts 6 & 7.

Mounting. The indoor unit can be mounted rigid, or using the optional spring mounting brackets which minimise transfer of vibration.

Self Diagnostics. The Outdoor Unit Controller (OUC) has a display of LEDs to indicate faults and running conditions.

A non-specific fault indicator is included for interface to external systems.

OPTIONAL EQUIPMENT

Outdoor Unit:

1. Anti-vibration mounts (rubber)
2. Drain connection - right angle

Indoor Unit:

1. Filter box - integrated return air spigot and washable polypropylene net filter.
2. Spring Mounting Kit.
3. 4.5 kW electric booster heater box - complete with safety cutouts required to meet AS/NZS 3350.2.40 1997.
4. Supply and return air plenums.

SAFETY FEATURES

1. HP and loss of refrigerant protection.
2. Anti-rapid cycle timer and internal overload for compressor protection.
3. Circuit breaker control circuits.
4. Time-and-temperature controlled electronic de-ice switch prevents icing up of the outdoor coil during heating cycle.
5. Frost protection on cooling cycle.
6. Sensor fault indication.
7. Compressor minimum run time to ensure oil return.

COMPRESSOR

Each high efficiency digital scroll type compressor is hermetically sealed, quiet running and supported on rubber mounts to minimise vibration.

REFRIGERATION PIPING

The standard unit contains oil for a line length of up to 30 m; extendable to 50 m with additional compressor lubricant.

Max. height separations between units are :
Outdoor unit above indoor unit : 18 m
Outdoor unit below indoor unit : 18 m.

The OSA 210 is shipped from the factory with a charge of HFC-410A (R410A) refrigerant sufficient for a 10 m line length. Liquid and suction service valves are provided. Accurator expansion devices control the flow of refrigerant. The matched indoor unit is shipped with a holding charge of nitrogen. Both units have brazed pipe connections.

WIRING

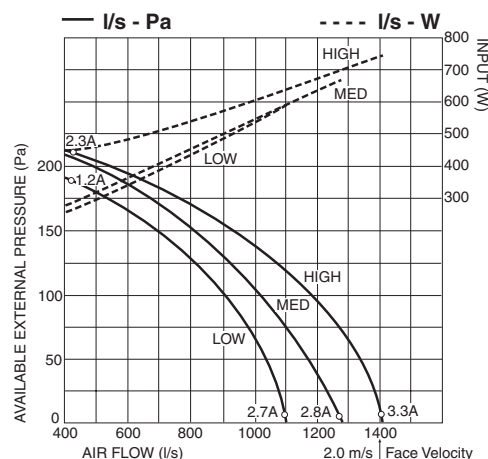
The electrical supply required (including voltage fluctuation limits) is: 3 phase 342-436 V a.c. 50 Hz with neutral and earth. The compressor crankcase heater requires a 24 hour power supply. A control panel, located in the outdoor unit, is fully wired ready to accept the main power supply.

AIR HANDLING

Note: Airflows are for a dry coil. Reduce airflow by 5% in high moisture removal conditions. In a free blow application, beware of exceeding indoor fan motor's full load amp limit.

As filters are optional, the fan air flows given are for units installed without filters.

If using EU-2 filter media, provide 0.08 m² face area per 100 l/s of airflow to maximise efficiency.



ELECTRICAL

E.E.R. (cooling)	3.13
Indoor Fan Full Load Amps	3.4 A
Running Amps (Total System)	14 / 10 / 9
Recommended External Fuse	25 A

Optional Polypropylene Net Filter Media (clean):

Coil Face Velocity (m/s)	1.5	2.0	2.5
Pressure Loss (Pa)	5	9	13

The manufacturer operates a quality management system that conforms to AS/NZS ISO 9001:2000.

PERFORMANCE DATA

COOLING CAPACITY (kW)

Total = Total Capacity (kW)

Sens. = Sensible Capacity (kW)

E.A.T. = Entering Air Temperature

○ = Nominal Capacity (kW)

Note: Capacities are **gross** and do not include allowance for fan motor heat loss. Capacities are for close coupled systems. Interconnecting pipework will reduce capacity.

MODELS Indoor / Outdoor Unit	INDOOR FAN		INDOOR COIL E.A.T.		OUTDOOR COIL ENTERING AIR TEMPERATURE °C D.B.											
	SPEED	AIR l/s	W.B. °C	D.B. °C	23		27		31		35		39		43	
					Total	Sens.	Total	Sens.	Total	Sens.	Total	Sens.	Total	Sens.	Total	Sens.
ISD 210K / OSA 210RK	HIGH	1200	15	21	21.2	16.1	20.6	16.0	20.0	15.8	19.3	15.5	18.7	15.3	18.0	14.9
			17	23	22.2	16.4	21.8	16.0	21.2	15.8	20.6	15.5	20.0	15.3	19.3	15.0
			19	27	23.7	18.6	23.0	18.4	22.4	18.1	21.8	18.1	21.2	17.8	20.4	17.6
			21	31	23.1	21.2	24.3	20.9	23.7	20.7	23.1	20.5	22.4	20.3	21.7	20.3

Indoor Air Flow Correction Factors @ nominal conditions

	Indoor Air Flow (%)			
	-20%	-10%	Rated	+10%
Total Capacity	0.95	0.975	1.0	1.025
Sensible Capacity	0.89	0.950	1.0	1.050

PIPE LENGTH CAPACITY LOSS

ON COOLING CYCLE DUE TO PRESSURE DROP

Note: Loss percentage is approximate only. No allowance made for vertical piping.

Pipe Size (mm)		Equivalent Line Pipe Length (m)					Additional Pipe Length to allow per Bend	
Liquid	Suction	5	10	15	20	30	Suction Pipe Size OD	22 mm
13	22	0.7 %	2.1 %	3.4 %	4.7 %	6.1 %	Long 90° Radius (2 x pipe dia.)	0.5 m

HEATING CAPACITY (kW)

G = Gross Heating Capacity kW, based on nominal air flow of 1200 l/s.

N = Net Heating Capacity kW allowing for average defrost.

○ = Nominal Capacity (kW)

MODELS Indoor / Outdoor Unit	INDOOR ENTERING AIR TEMP. °C D.B.	OUTDOOR COIL ENTERING AIR TEMPERATURE (E.A.T.) °C D.B.															
		-5		-3		-1		1		3		5		7		9	
		G	N	G	N	G	N	G	N	G	N	G	N	G	N	G	N
ISD 210K / OSA 210RK	15	13.3	12.0	14.4	12.9	15.4	13.8	16.4	14.4	17.3	14.7	18.6	16.8	19.8	19.6	20.8	20.8
	20	13.0	11.7	14.1	12.7	15.1	13.6	16.0	14.1	17.0	14.4	18.3	16.4	19.4	19.2	20.4	20.4
	25	12.5	11.3	13.6	12.2	14.5	13.1	15.4	13.6	16.4	13.8	17.6	15.8	18.7	18.5	19.6	19.6

SOUND LEVELS

Sound Power Levels (SWL)

Test Conditions: BS 848 PT2 1985. Installation Type A (free inlet and outlet). Direct method of measurement (reverberant room).

Measured in decibels re 1 picowatt.

Indoor Unit - Supply Air Outlet

FAN SPEED	AIR FLOW l/s	SWL dB(A)	OCTAVE BAND FREQUENCY Hz					
			125	250	500	1 k	2 k	4 k
			SOUND POWER LEVELS (SWL) dB					
LOW	890	60	60	55	63	56	52	46
MED	930	69	68	63	67	65	62	57
HIGH	1000	72	71	66	69	67	65	61

Outdoor Unit

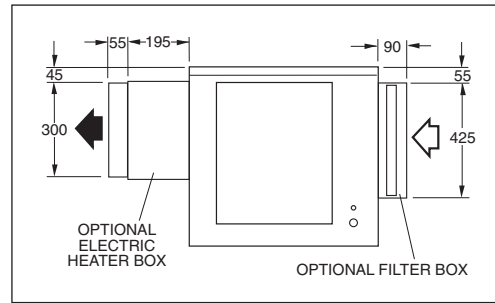
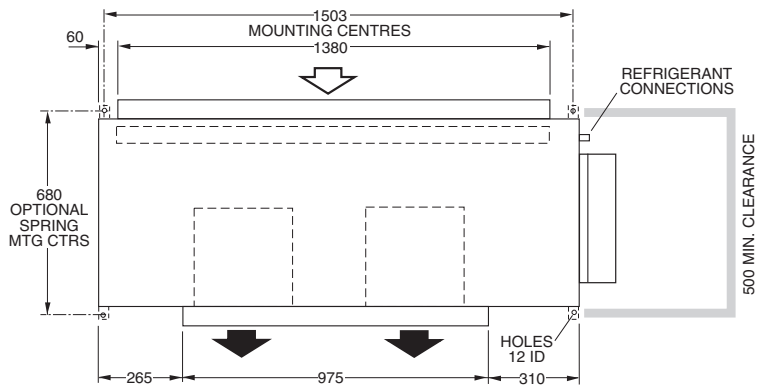
MODEL	FAN SPEED	SWL dB(A)	OCTAVE BAND FREQ. Hz						SPL @ 3 m dB(A)	OCTAVE BAND FREQ. Hz					
			125	250	500	1 k	2 k	4 k		125	250	500	1 k	2 k	4 k
			SOUND POWER LEVELS dB							SOUND PRESSURE LEVELS dB					
OSA 210	HIGH	71	72	70	68	67	61	55	55	56	54	52	51	45	39

Sound Pressure Level (SPL) in decibels re 20 µPa.

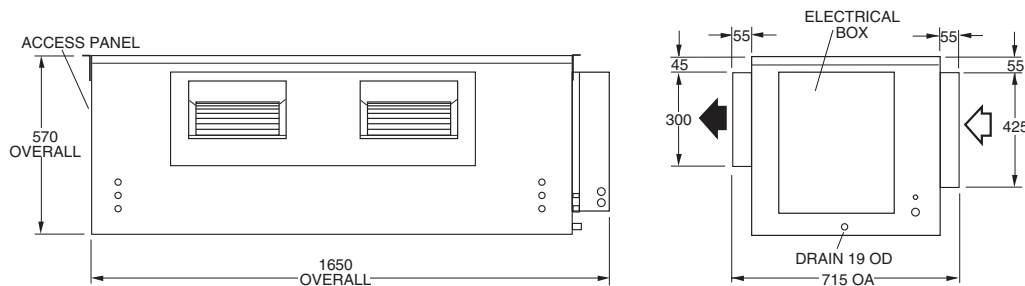
DIMENSIONS (mm)

Not to Scale

ISD 210KG-DN Indoor Unit



Net Weight 108 kg
Shipping Weight 130 kg

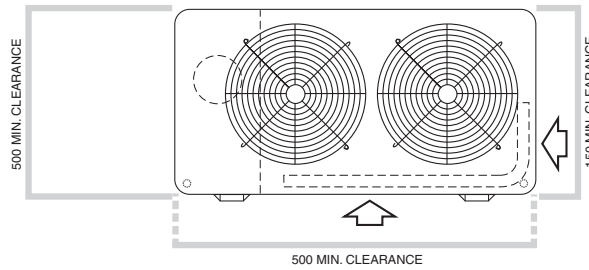


OSA 210RKTVG Outdoor Unit

Net Weight 152 kg
Shipping Weight 172 kg

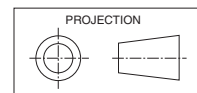
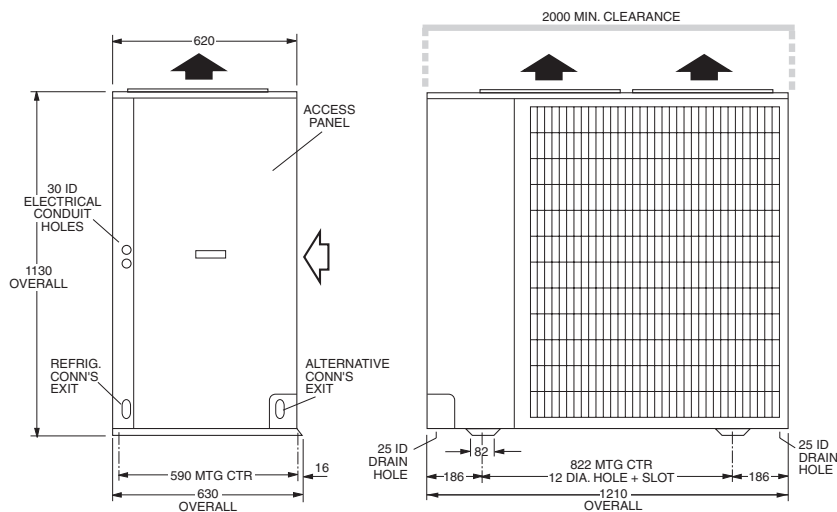
Recommended Pipe Line Sizes

Liquid: 13 mm OD
Suction: 22 mm OD



Note

Materials and specifications are subject to change without notice due to the manufacturer's ongoing research and development programme.



temperzone limited

Head Office, Auckland : 38 Tidal Rd, Mangere, N.Z.
Private Bag 93303, Otahuhu, NEW ZEALAND.
Email sales@temperzone.co.nz Website: www.temperzone.biz

temperzone australia Pty Ltd

Head Office, Sydney : 7A Bessemer St
PO Box 6448, Delivery Centre, Blacktown, NSW 2148,
AUSTRALIA. Email sales@temperzone.com.au

AUCKLAND

Ph. 0-9-279 5250
Fax 0-9-275 5637

SYDNEY

Ph. (02) 8822-5700
Fax (02) 8822-5711

MELBOURNE

Ph. (03) 9551-7422
Fax (03) 9551-8550

PERTH

Ph. (08) 9314-3844
Fax (08) 9314-3855

WELLINGTON

Ph. 0-4-569 3262
Fax 0-4-566 6249

ADELAIDE

Ph. (08) 8376-1505
Fax (08) 8376-1449

BRISBANE

Ph. (07) 3399-2544
Fax (07) 3399-2577

TOWNSVILLE

Ph. (07) 4773-9566
Fax (07) 4773-9166

CHRISTCHURCH

Ph. 0-3-379 3216
Fax 0-3-379 5956

SINGAPORE

Ph. SNG 6733 4292
Fax SNG 6235 7180

NEWCASTLE

Ph. (02) 4962-1155
Fax (02) 4961-5101

HOBART

Ph. (03) 6272-0066
Fax (03) 6272-0506

Available from