

SPECIFICATIONS



Model	OPA 820RLTB2FPQD-Z Econex Pro
Configuration	Horizontal Supply Air
Item No. (Standard / Opposite Hand)	877-082-701 / 877-082-710
Configuration	Downward Supply Air
Item No. (Standard / Opposite Hand)	877-082-723 / 877-082-732
Configuration	Upward Supply Air
Item No. (Standard / Opposite Hand)	877-082-745 / 877-082-754
Cooling capacity (net) ¹	80.2 kW
Cooling capacity range (gross)	11.2 ~ 88.3 kW
Heating capacity ¹	81.4 kW
Heating capacity range	10.0 ~ 97.0 kW
Electrical input - cooling	25.4 kW
Electrical input - heating	25.1 kW
EER / AEER (cooling) ¹	3.15 / 3.14
COP / ACOP (heating) ¹	3.24 / 3.22
Operating Range (outdoor ambient) - cooling	-10°C ~ 50°C
Operating Range (outdoor ambient) - heating	-10°C ~ 25°C
Controller	UC8 (x2)
Refrigerant	R32
Refrigerant Charge	8.0 kg/sys.
Minimum floor area (@2.4m below ceiling diffuser)	34 m ²
Compressor oil type	POE-46 (NXG5020 or equivalent)
Compressor type	inverter scroll (x2)
Power supply ²	3 ph. 400 V ac 50 Hz + N + E
Compressor (3ph.) run amps at rating cond.	19.5 A/ph.(x2)
Compressor + VSD circuit breaker	32 A (x2)
Indoor fan motor size	EC Plug 500 dia. 3.65kW (x2)
Nominal air flow at rating conditions	4 300 l/s
Indoor fan motor (3ph.) - full load	4.5 A/ph. (x2)
Outdoor fan motor (3ph.) - full load	5 A/ph. (x2)
Outdoor fan - max. external static available@ 11 600 l/s	125 Pa
Control circuit breaker (internal)	2 A
Single phase socket circuit breaker	10 A
Running amps (total system) ¹	37 / 39 / 45 A
Max. running amps (total system)	55 / 60 / 66 A
RCD type recommended	type B, 30mA, 3 pole
Net weight (excl. cowl)	1294 kg
Shipping weight (excl. cowl)	1320 kg
Net Weight c/w Economiser	1346 kg

Accessories:

Filters - rated EU4/G4 disposable	019-400-004 500x500x50 (x9) ³
Filters - rated EU4/G4 washable (NZ Only)	019-000-033 500x500x50 (x9) ³
Drain tundish (2 per set; 2 sets required)	060-000-653

Refer to temperzone for other options.

¹ Tested in accordance with AS/NZS 3823

² Voltage range: 376–440V

³ Filter sizes are nominal; refer to Temperzone for actual measurements.

24004

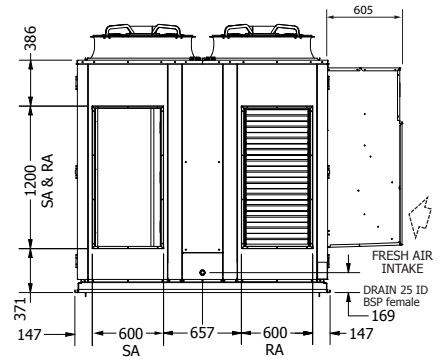
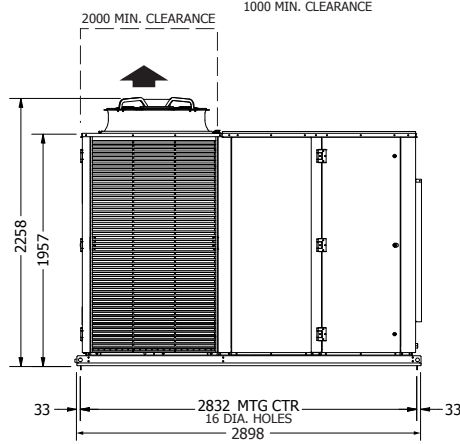
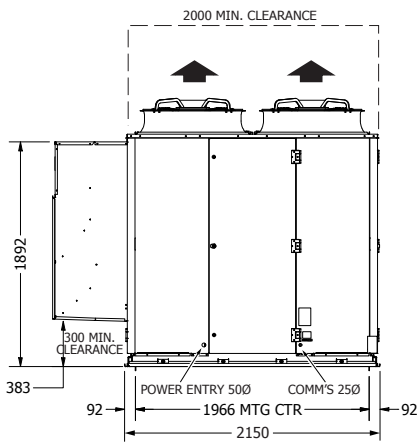
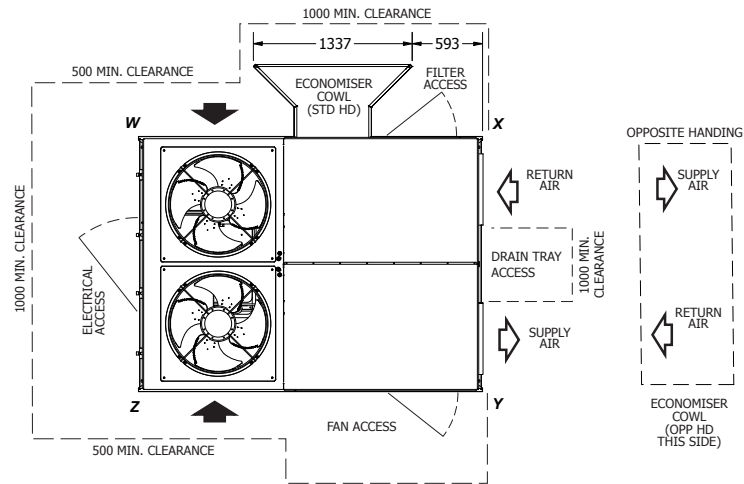
DIMENSIONS (mm)



OPA 820RLTBFPQD01-Z Standard Hand, Horizontal Supply

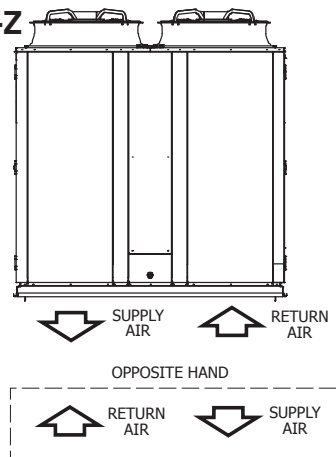
Not to Scale

	POINT LOADS (kg)			
	W	X	Y	Z
Eco Std	356	304	295	391
Eco Opp	349	281	319	398



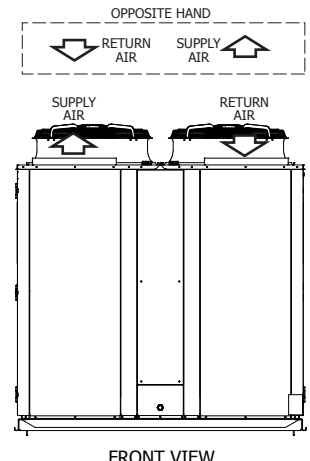
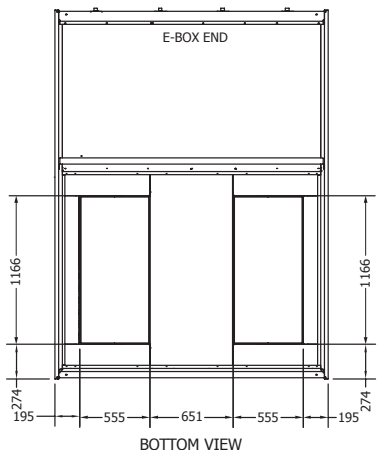
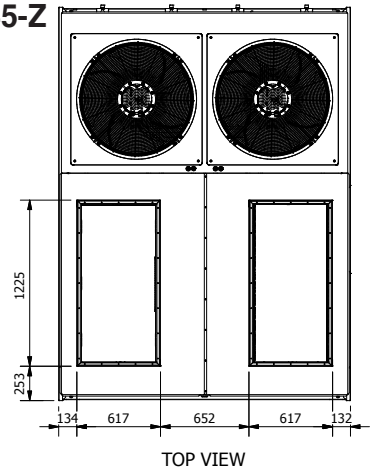
OPA 820RLTBFPQD23-Z Standard Hand, Downward Supply

Clearances as above

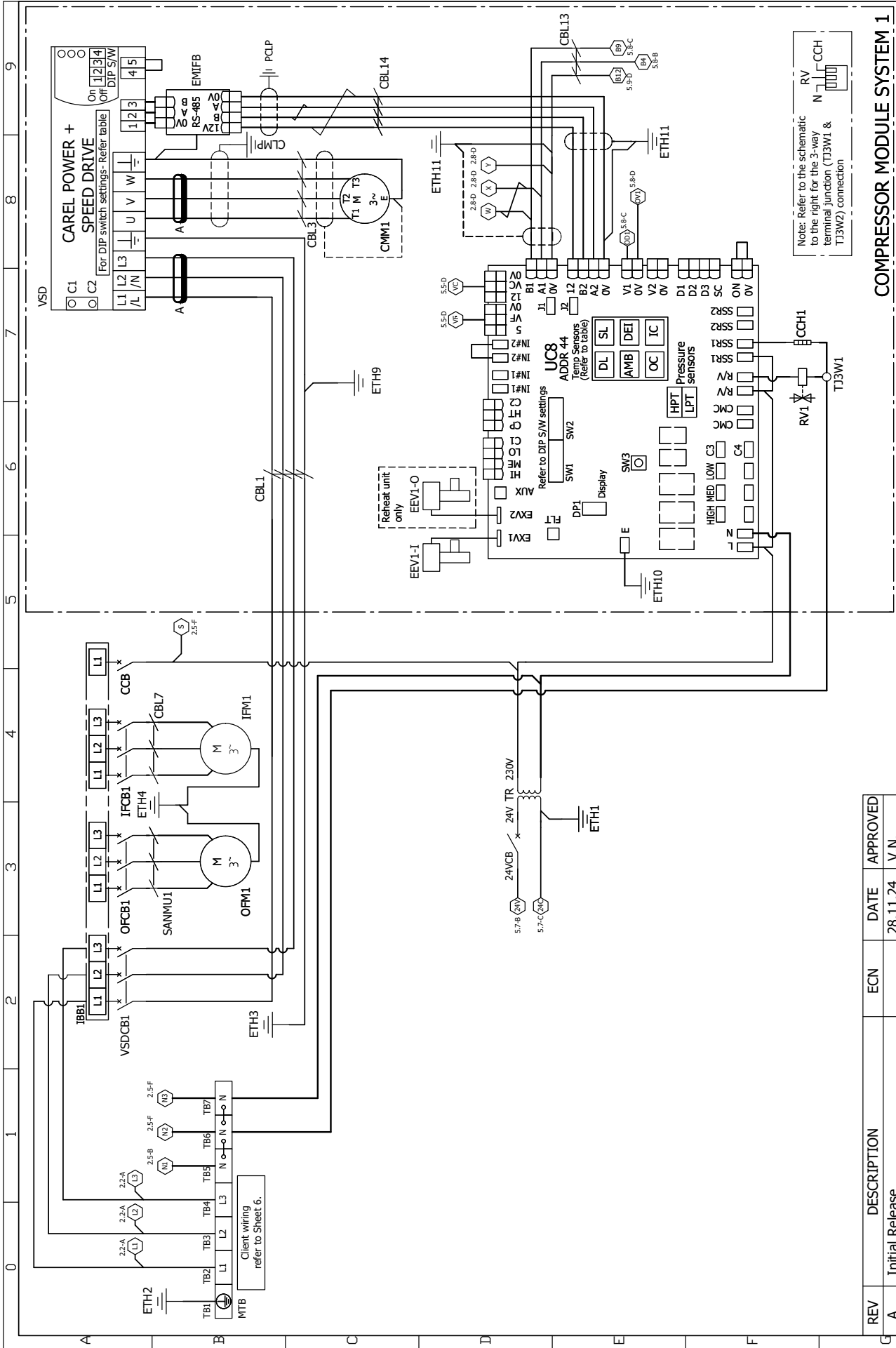


OPA 820RLTBFPQD45-Z Standard Hand, Upward Supply

Clearances as above



NOTE
Specifications are subject to change without notice due to the manufacturer's ongoing research and development programme.



COMPRESSOR MODULE SYSTEM 1

Note: Refer to the schematic to the right for the 3-way terminal junction (TJ3W1 & TJ3W2) connection

REV	DESCRIPTION	ECN	DATE	APPROVED
A	Initial Release		28.11.24	V.N.



©temperzone Ltd 2024

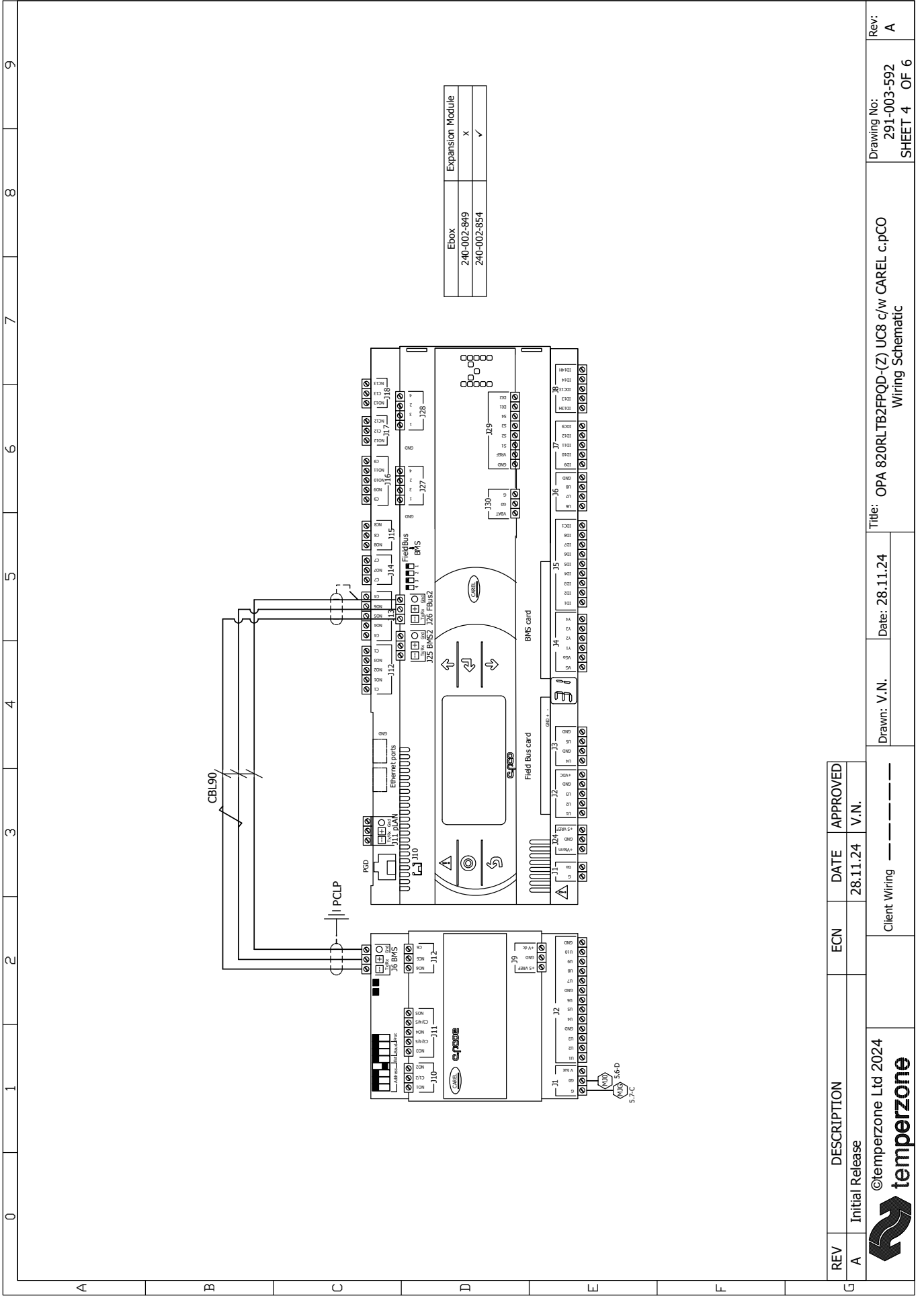
Client Wiring

Date: 28.11.24

Title: OPA 820RLTB2FPQD-(Z) UC8 c/w CAREL c.pCO Wiring Schematic

Drawing No: 291-003-592
SHEET 1 OF 6

Rev: A



REV	DESCRIPTION	ECN	DATE	APPROVED
A	Initial Release		28.11.24	V.N.

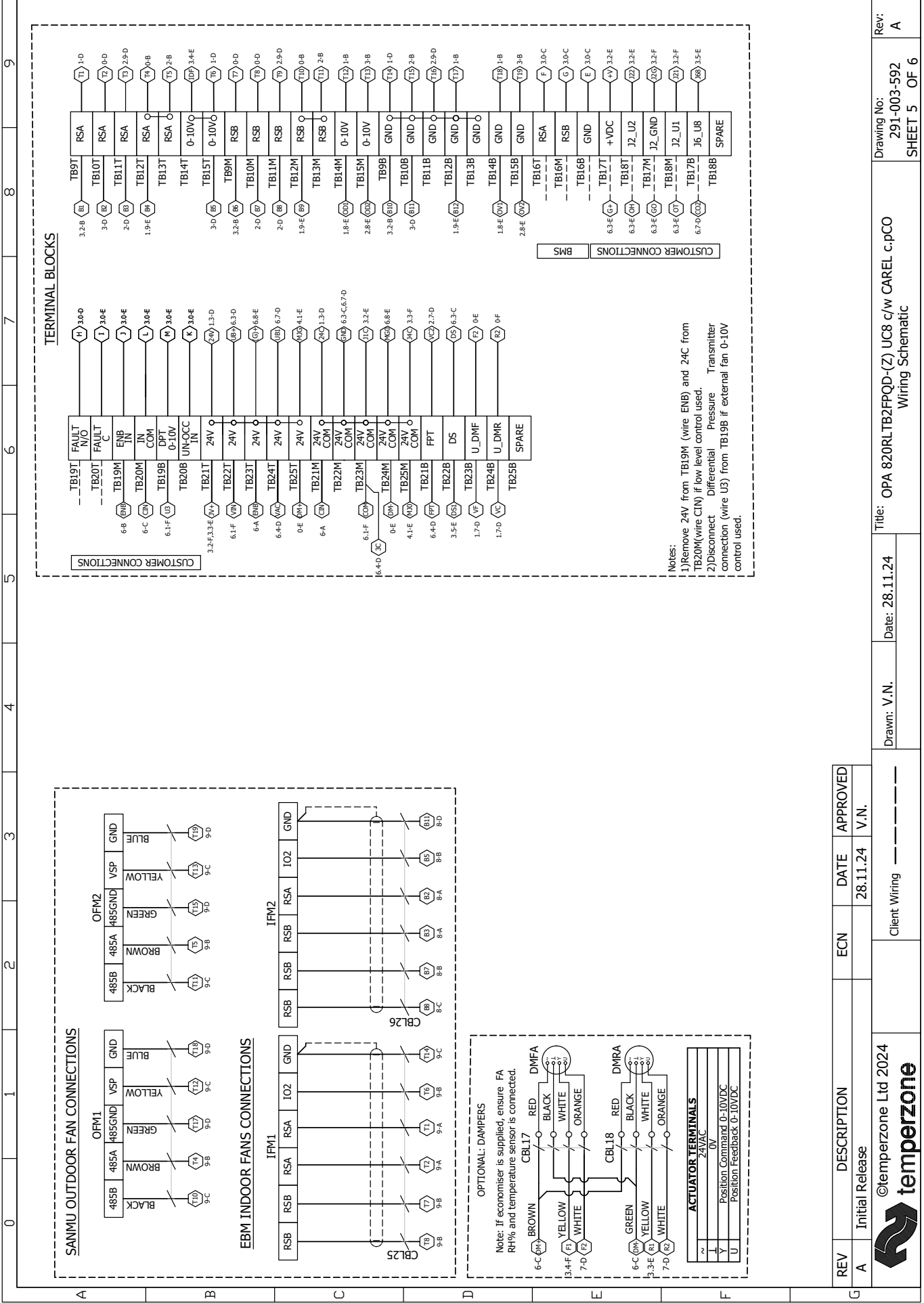
©temperzone Ltd 2024

Client Wiring -----

Drawn: V.N. Date: 28.11.24

Title: OPA 820RLTB2FPQD-(Z) UC8 c/w CAREL c.pCO Wiring Schematic

Rev: A
 Drawing No: 291-003-592
 SHEET 4 OF 6



REV	DESCRIPTION	ECN	DATE	APPROVED
A	Initial Release		28.11.24	V.N.

Client Wiring -----



©temperzone Ltd 2024

Drawn: V.N. Date: 28.11.24

Title: OPA 820RLTB2FPQD-(Z) UC8 c/w CAREL c.pCO Wiring Schematic

Drawing No: 291-003-592 SHEET 5 OF 6

Rev: A

- Notes:
- 1) Remove 24V from TB19M (wire ENB) and 24C from TB20M (wire CIN) if low level control used.
 - 2) Disconnect Differential Pressure Transmitter connection (wire U3) from TB19B if external fan 0-10V control used.

