

SPECIFICATIONS



Indoor Unit	(525-501-601)	ISD 380KBY
Outdoor Unit	(526-501-701)	OSA 380RKTBQV (fixed)
Cooling capacity (net) to AS/NZS 3823 T1		36.4 kW
Heating capacity H1		37.8 kW
Electrical input - cooling		11.2 kW
Electrical input - heating		11.1 kW
EER / AEER (cooling)		3.26 / 3.21
COP / ACOP (heating)		3.48 / 3.43
Unit Controllers		UC6
Refrigerant		R410A
Refrigerant precharge for 10 m		6.55 kg/sys.
Additional charge req'd for over 10 m		100 g/m
Base refrigerant charge OSA		5.55 kg
Maximum line length		60 m
Separation limit: OSA above ISD		20 m
Separation limit: OSA below ISD		20 m
Suction line		22 mm OD (x2)
Liquid line		13 mm OD (x2)
Compressor oil type		POE 32-3MAF (or equivalent)
Additional oil charge over 40m line length		20 ml/m
Compressor type		fixed scroll (x2)
Power supply via OSA		3ph. 400V±6% ac 50Hz + N + E
Compressor (3ph.) run amps at rating cond.*		8 A (x2)
Compressor overload setting		11.5 A (x2)
Indoor fan motor size		EC 1250W (x2)
Nominal airflow at rating conditions *		2100 l/s
Indoor fan motor (1ph.) - full load		6 A (x2)
Outdoor fan motor (1ph.) - full load		1.7 A (x4)
Outdoor fan motor type		EC axial
Outdoor fan max. static pressure @4,520 l/s		60 Pa **
Control circuit breaker (internal)		2 A
Auxillary power outlet (1ph.)overload setting		10 A
Running amps (total system)*		16 / 20 / 20 A
Max. running amps (total system)		25 A/ph.
RCD type recommended		type A, 30mA, 3 pole
Net weight ISD		203 kg
Net weight OSA		458 kg

Accessories:

Spring Mounting Kit	307-341-101
Filter Box c/w EU2/G2 rated filter (NZ Only)	525-501-605
ISD Replacement filter	119-000-032 (x3)
UC6 Service Interface tool	201-000-379

Optional Controls:

SAT-3 Room temperature controller	201-000-146
TZT-100 Room temperature controller	201-000-350

Refer to temperzone for other options, eg remote sensors, connection wires.

* Tested in accordance with AS/NZS 3823

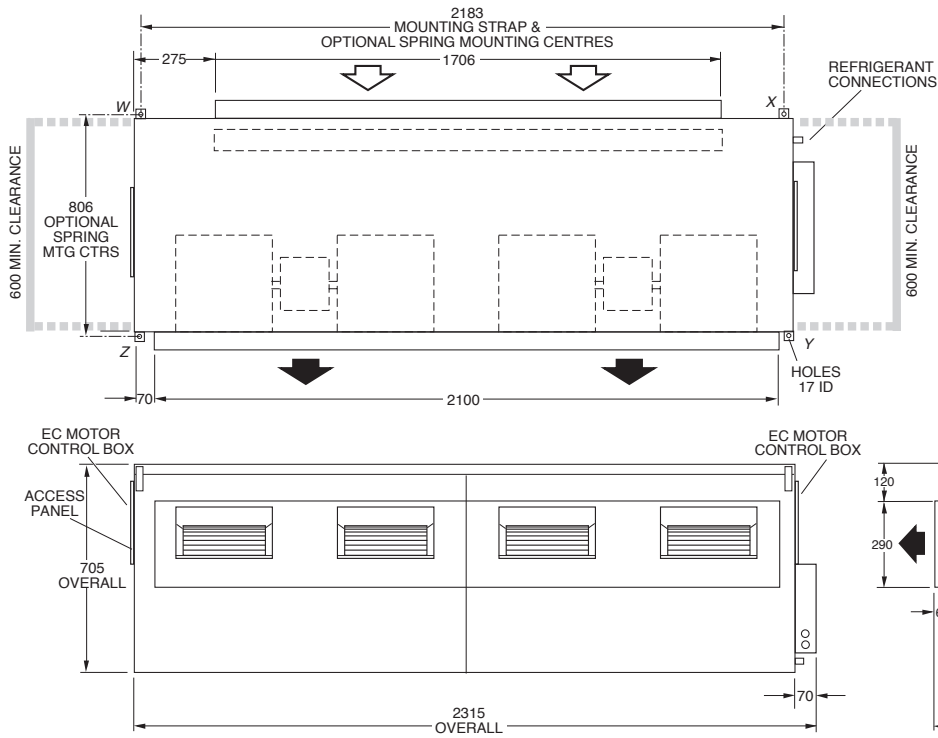
** Contact Temperzone for assistance for higher static applications

DIMENSIONS (mm)

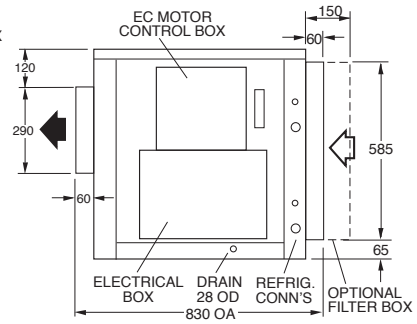


Not to Scale

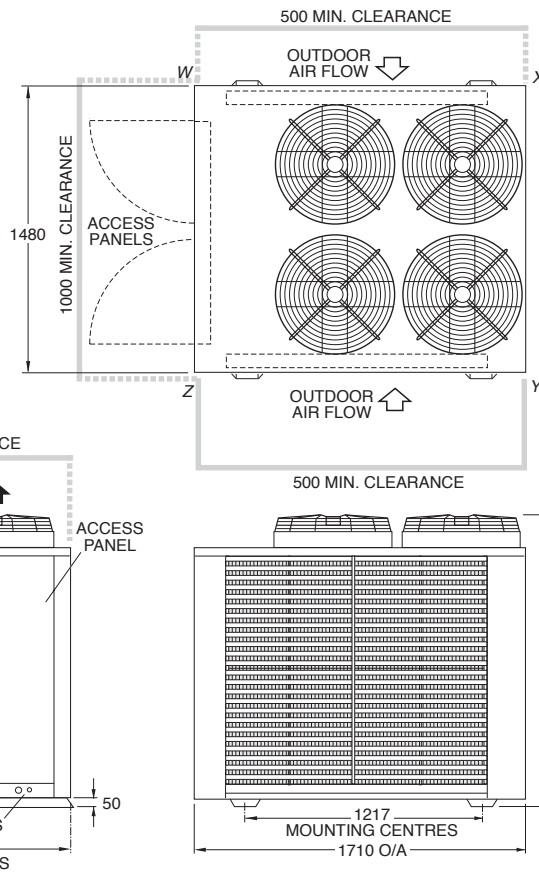
ISD 380KBY Indoor Unit



POINT LOADS (kg)			
W	X	Y	Z
44	48	58	53



OSA 380RKTBQV Outdoor Unit



POINT LOADS (kg)			
W	X	Y	Z
154	77	79	144

Recommended Connecting Pipe Sizes
 Suction : 22 mm OD
 Liquid : 13 mm OD

NOTE

Specifications are subject to change without notice due to the manufacturer's ongoing research and development programme.



INDOOR UNIT WIRING

Indoor-Outdoor Connection Wiring: refer 'Installation & Maintenance' pamphlet.

ALC	Analogue Level Controller
DR	De-ice Relay
HR	Hi Speed Relay
IFM	Indoor Fan Motor
LR	Low Speed Relay
MR	Med Speed Relay

INDOOR FAN SPEED ALC DIP SETTINGS						
DIP Switch			RPM			
1	2	3	4	5	6	MIN MAX
ON	ON	OFF	OFF	OFF	900	1200
ON	ON	ON	OFF	OFF	1050	1350
ON	ON	OFF	ON	OFF	1000	1300
ON	OFF	ON	ON	OFF	825	1125

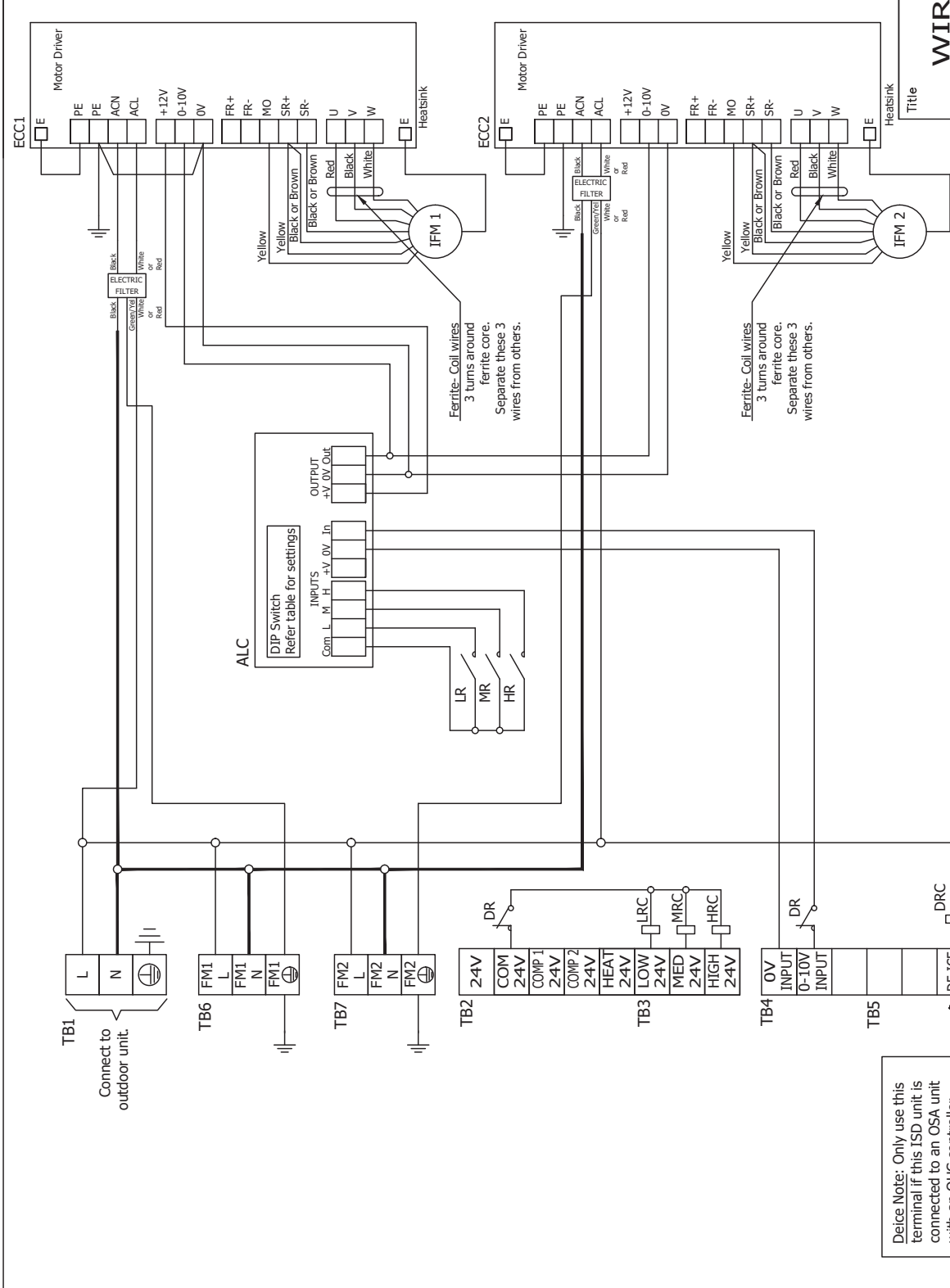
IFM amps (max) 8.0A each

DO NOT USE ANY OTHER DIP SWITCH COMBINATIONS EXCEPT THOSE SHOWN IN THE TABLE ABOVE.

SHADED AREA = DEFAULT FACTORY DIP SETTINGS

DIP SWITCH 8 MUST BE ON FOR UNITS FITTED WITH ELECTRIC HEAT

DIP SWITCH 7 ALWAYS OFF



Device Note: Only use this terminal if this ISD unit is connected to an OSA unit with an OUC controller

ISD 380KBY
WIRING SCHEMATIC

©temperzone ltd 2011

Drawn	SDH	Date	28-01-11	Revision	1
Aprvd	SR	PCA		Drawing No.	525-504-602

I	ALC Version Upgraded; New DIP Settings	N4059	20-07-18	P.M.C
H	ECC 1260 RENAMED MOTOR DRIVER	N4013	15-01-18	L.O.L
G	Added terminal block numbers for new push-in TBs. TB1 L & E swap position.	N3994	06-10-17	L.O.L
ISSUE	MODIFICATION	ECN	DATE	APRVD

