

Model	OPA 1710RLTM4FPQD-I(Z) Econex Pro
Configuration	Horizontal Supply Air
Reheat Item No. (Standard / Opposite Hand)	886-171-701 / 886-171-710
Unit c/w Economiser Item No. (Standard / Opposite Hand)	887-171-701 / 887-171-710
Configuration	Downward Supply Air
Item No. (Standard / Opposite Hand)	886-171-723 / 886-171-732
Unit c/w Economiser Item No. (Standard / Opposite Hand)	887-171-723 / 887-171-732
Cooling capacity (net) ¹	177.9 kW
Cooling capacity (gross) range	14.6 ~ 205.8 kW
Heating capacity ¹	184.1 kW
Heating capacity (gross) range	14.6 ~ 214.4 kW
Electrical input - cooling	58.1 kW
Electrical input - heating	56.7 kW
EER / AEER (cooling) ¹	3.07 / 3.06
COP / ACOP (heating) ¹	3.25 / 3.24
Operating Range (outdoor ambient) - cooling	-10°C ~ 50°C
Operating Range (outdoor ambient) - heating	-10°C ~ 25°C
Master Controller	<i>c.pCO</i>
Slave Controllers	UC8 (x4)
Refrigerant	R32
Refrigerant Charge - Reheat model	Sys. 1 & 4: 7.6 kg/sys. Sys. 2 & 3: 8.6 kg/sys.
Minimum floor area (@2.4m/5m below ceiling diffuser)	31-39 m ² / 7-9 m ²
Compressor oil type	POE-46 (NXG5020 or equivalent)
Compressor type	Inverter scroll (x4)
Power supply ²	3 ph. 400V ac 50Hz + N + E
Compressor (3ph.) run amps at rating cond.	18 A/ph. (x4)
Compressor circuit breaker	32 A (x4)
Indoor fan motor size	EC Plug 500mm (x4)
Nominal air flow at rating conditions	8 400 l/s (7.5 V)
Indoor fan motor (3ph.)	4.4 A/ph. (x4)
Outdoor fan motor (3ph.) - full load	4.7 A/ph. (x4)
Outdoor fan motor – max. ext. static pressure available	120 Pa (@19,600 l/s)
Control circuit breaker (internal)	4 A
Auxiliary power outlet (1ph.) overload setting	10 A
Running amps (total system)	94 / 81 / 91 A
Max. running amps (total system)	132 / 123 / 132 A
RCD type recommended	type B, 30mA, 3 pole
Net weight - Reheat model	2 347 kg
Shipping weight (excl. cowl)	2 407 kg
Net weight (c/w Economiser)	2 437 kg

Accessories:

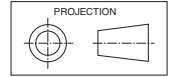
Remote wired Service Interface Device (<i>pGD1</i>)	201-000-379
Filters - rated EU4/G4 disposable	019-400-005 500x600x50 (x12) ³
Filters - rated EU4/G4 washable (NZ only)	019-000-005 500x600x50 (x12) ³

¹ Tested in accordance with AS/NZS 3823

² Voltage range: 380–440V

³ Filter sizes are nominal; refer to Temperzone for actual measurements.

DIMENSIONS (mm)

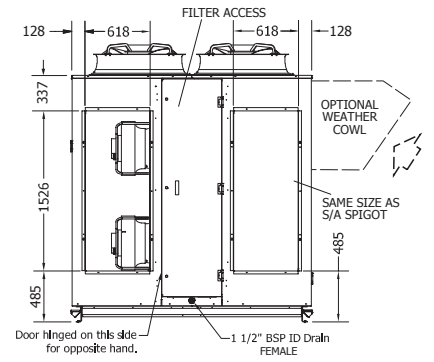
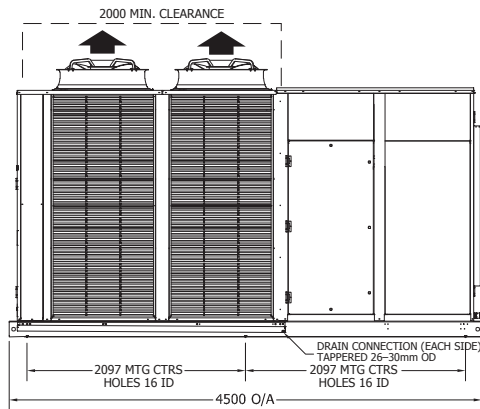
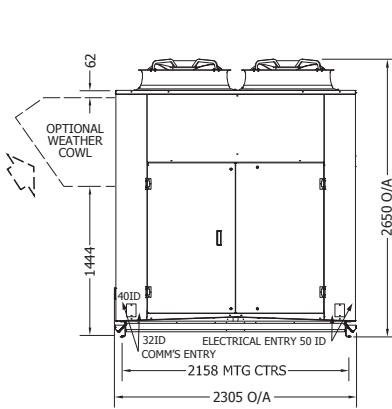
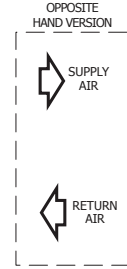
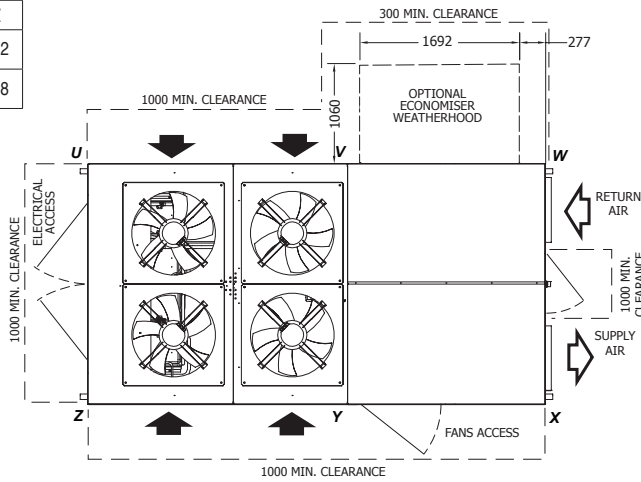


OPA 1710RLTM4FPQD01-I(Z) Horizontal Supply / Standard Hand

Not to Scale

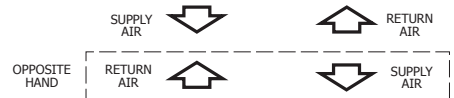
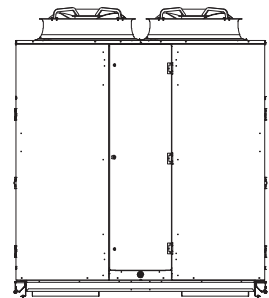
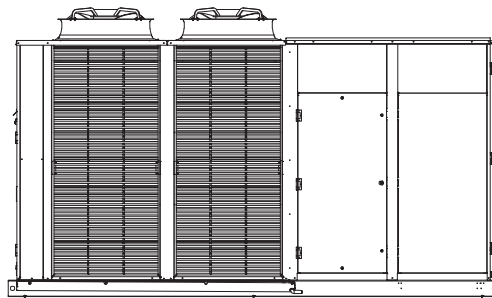
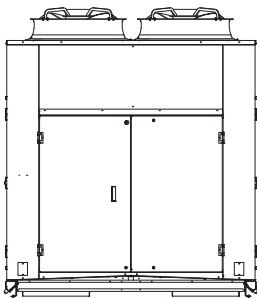
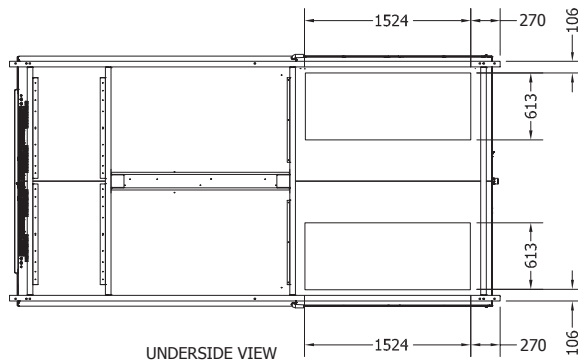
Multiple units side-by-side:
Allow a minimum of 2m
between coil faces.

	POINT LOADS (kg)					
	U	V	W	X	Y	Z
Reheat	417	376	335	390	406	422
c/w Ec	429	397	365	402	415	428



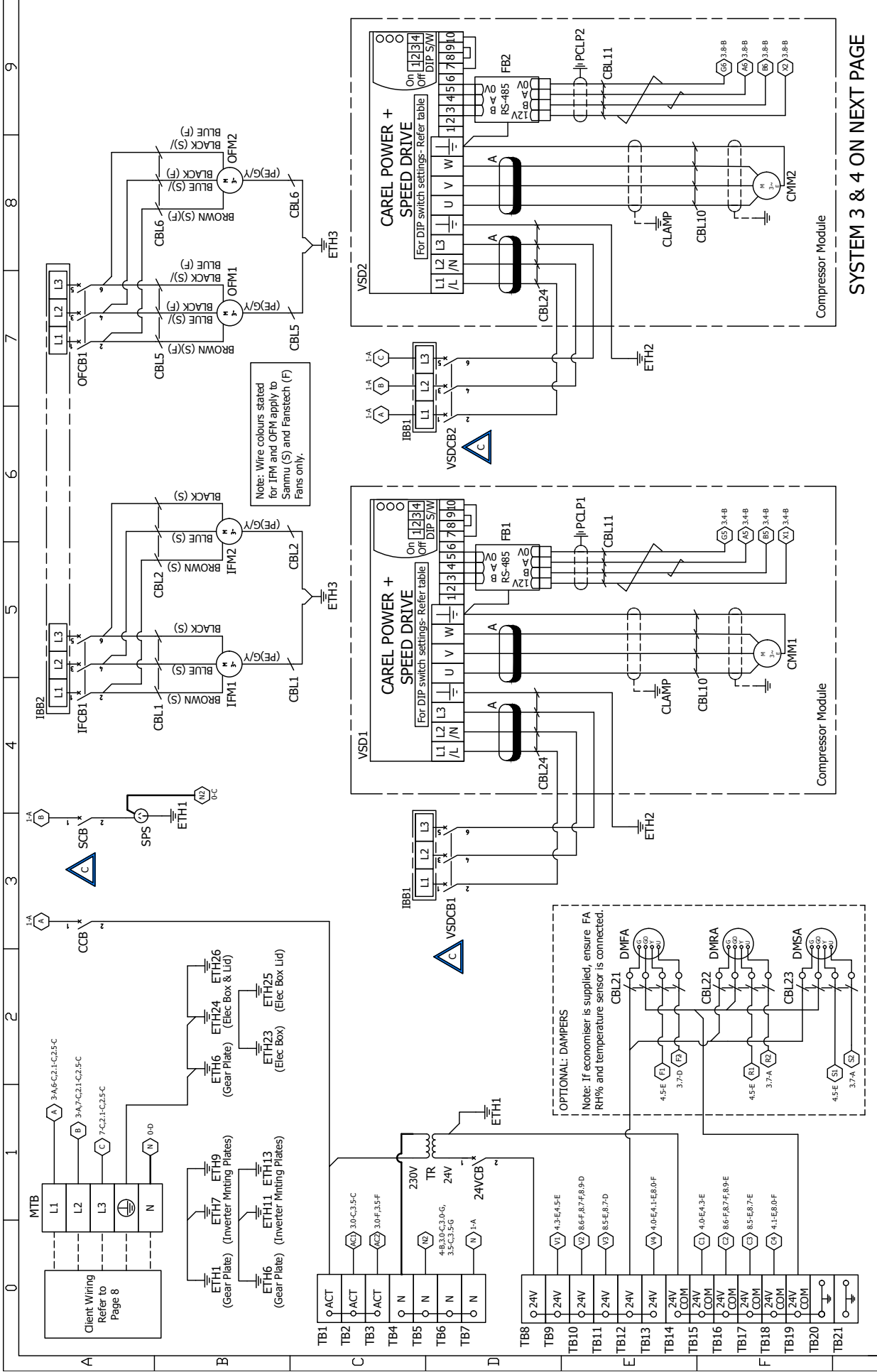
OPA 1710RLTM4FPQD23-I(Z) Downward Supply / Standard Hand

Clearances as above



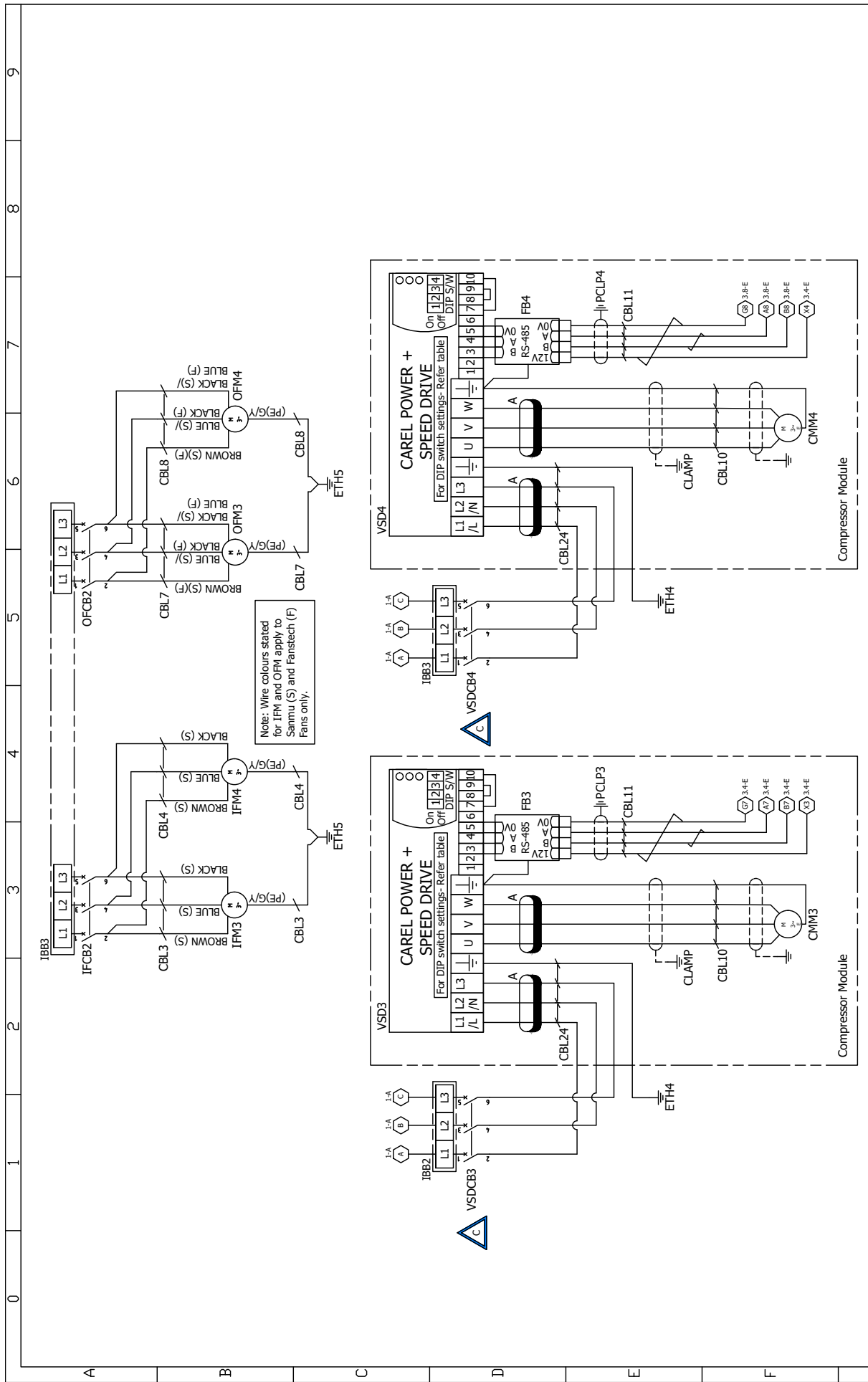
NOTE

Specifications are subject to change without notice due to the manufacturer's ongoing research and development programme.



REV	C	Renamed circuit breakers. Revised and added note on ID fan connection to TB29 and TB36T. Added clarity to expansion module.	DATE	12-10-23	ECN	5116	APVD	LC
MODIFICATION			Technical information *Refer Page 8					
Client Wiring			Title: OPA1410 / 1710 / 2110RLTM4FDPQ-S1 R32 UC8					
Client Wiring			Drawing No: 291-003-281					
Client Wiring			Date: 22-05-20					
Client Wiring			Wiring Schematic					
Client Wiring			Rev: C					
Client Wiring			SHEET 1 OF 8					

SYSTEM 3 & 4 ON NEXT PAGE



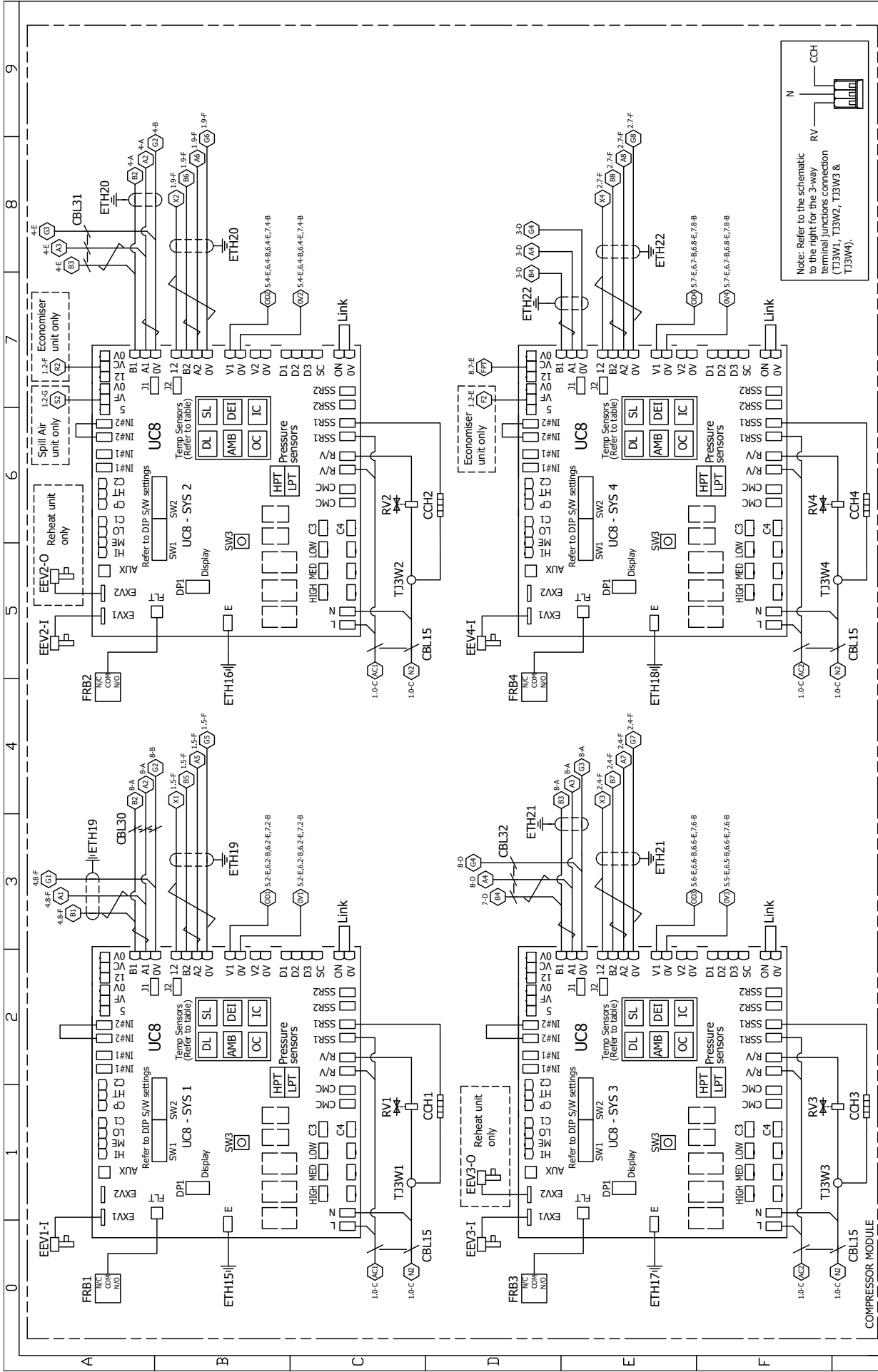
REV	MODIFICATION	DATE	ECN	APVD	Technical information
C	Renamed circuit breakers. Revised and added note on ID fan connection to TB29 and TB36T. Added clarity to expansion module.	12-10-23	5116	LC	*Refer Page 8
	Client Wiring	Drawn: L.C	Date: 22-05-20		Drawing No: 291-003-281
		Approved: <i>P. Yu</i>			Rev: C
					SHEET 2 OF 8



©temperzone Ltd 2022

Title: OPA1410 / 1710 / 2110RLTM4FDPO-S1 R32 UC8
Wiring Schematic

WIRING (3)



Note: Refer to the schematic to the right for the 3-way terminal junctions connection (TJ3W1, TJ3W2, TJ3W3 & TJ3W4).

REV	MODIFICATION	DATE	ECN	APVD	LC
C	Renamed circuit breakers. Revised and added note on ID fan connection to TB29 and TB36T. Added clarity to expansion module.	12-10-23	5116	LC	LC

Technical information
*Refer Page 8

Drawing No: 291-003-281
SHEET 3 OF 8

Rev: C

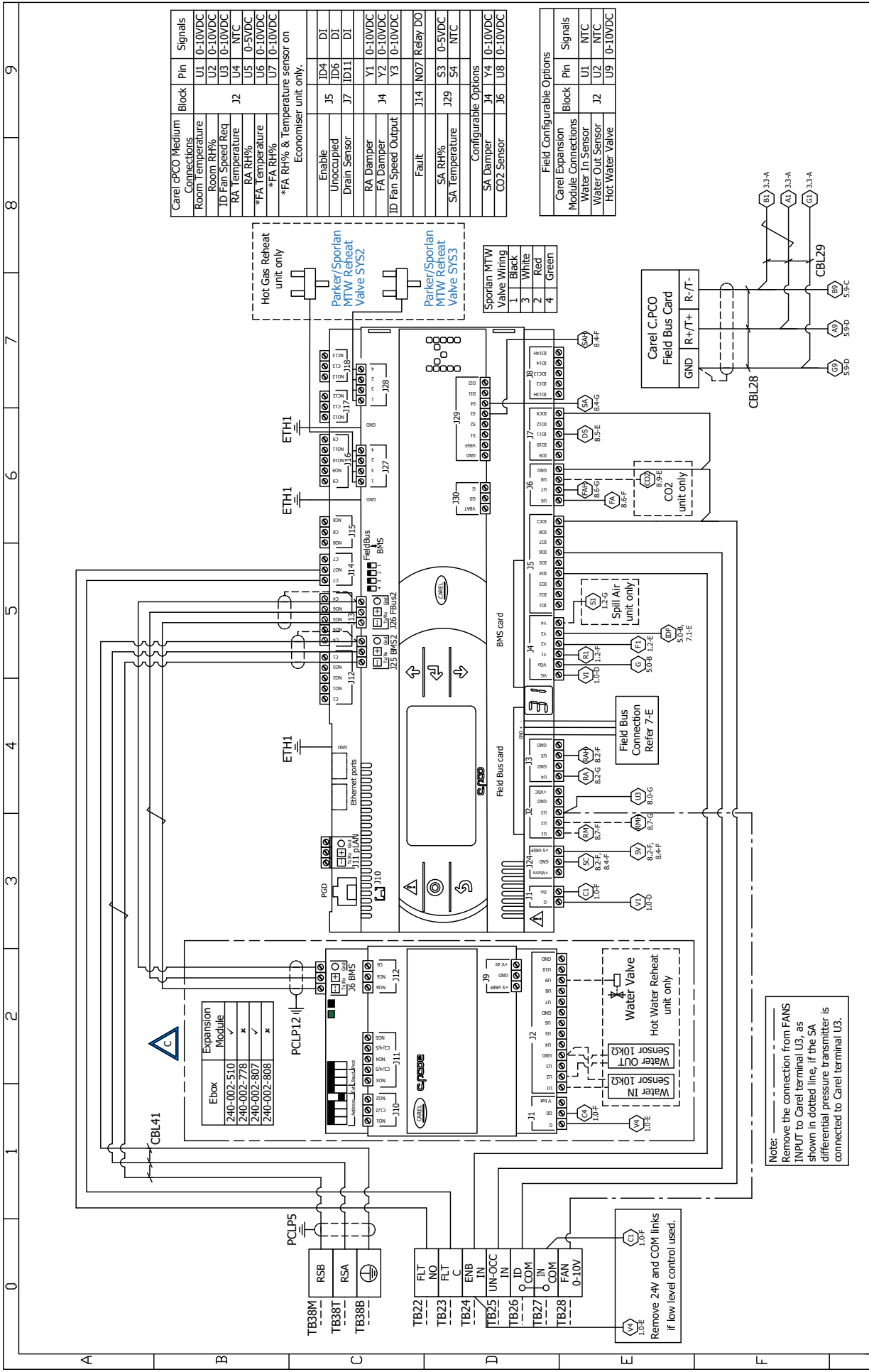
Title: OPA1410 / 1710 / 2110RLTM4FDPQ-S1 R32 UC8
Wiring Schematic

Client Wiring: _____
Approved: *Pyle*

Drawn: L.C
Date: 22-05-20



©temperzone Ltd 2022



Carel dPCO Medium Connections	Block	Pin	Signals
Room Temperature	U1	0-10VDC	U1
Room RH%	U2	0-10VDC	U2
ID Fan Speed Req	U3	0-10VDC	U3
RA Temperature	U4	0-10VDC	U4
RA RH%	U5	0-5VDC	U5
*FA Temperature	U6	0-10VDC	U6
*FA RH%	U7	0-10VDC	U7

*FA RH% & Temperature sensor on Economiser unit only.

Enable	ID4	DI
Unoccupied	J5	DI
Drain Sensor	J7	DI
RA Damper	Y1	0-10VDC
FA Damper	Y2	0-10VDC
ID Fan Speed Output	Y3	0-10VDC
Fault	J14	NO7 Relay DO
SA RH%	J29	S3 0-5VDC
SA Temperature	S4	NTC

Configurable Options	
SA Damper	J4 Y4 0-10VDC
CO2 Sensor	J6 U8 0-10VDC

Field Configurable Options	
Carel Expansion Module Connections	Block Pin Signals
Water In Sensor	U1 U2 NTC
Water Out Sensor	U1 U2 NTC
Hot Water Valve	U9 U9 0-10VDC

Sporlan MTW Valve Wiring	
1	Black
2	White
3	Red
4	Green

Note:
 Remove the connection from FANS INPUT to Carel terminal U3, as shown in dotted line, if the SA differential pressure transmitter is connected to Carel terminal U3.

REV	DESCRIPTION	DATE	ECN	APVD
C	Renamed circuit breakers. Revised and added note on ID fan connection to TB29 and TB36T. Added clarity to expansion module.	12-10-23	5116	LC

Technical information	
Drawing No:	291-003-281
Rev:	C
Client Wiring	_____
Approved:	<i>Pyru</i>

MODIFICATION	
DATE	12-10-23
ECN	5116
APVD	LC

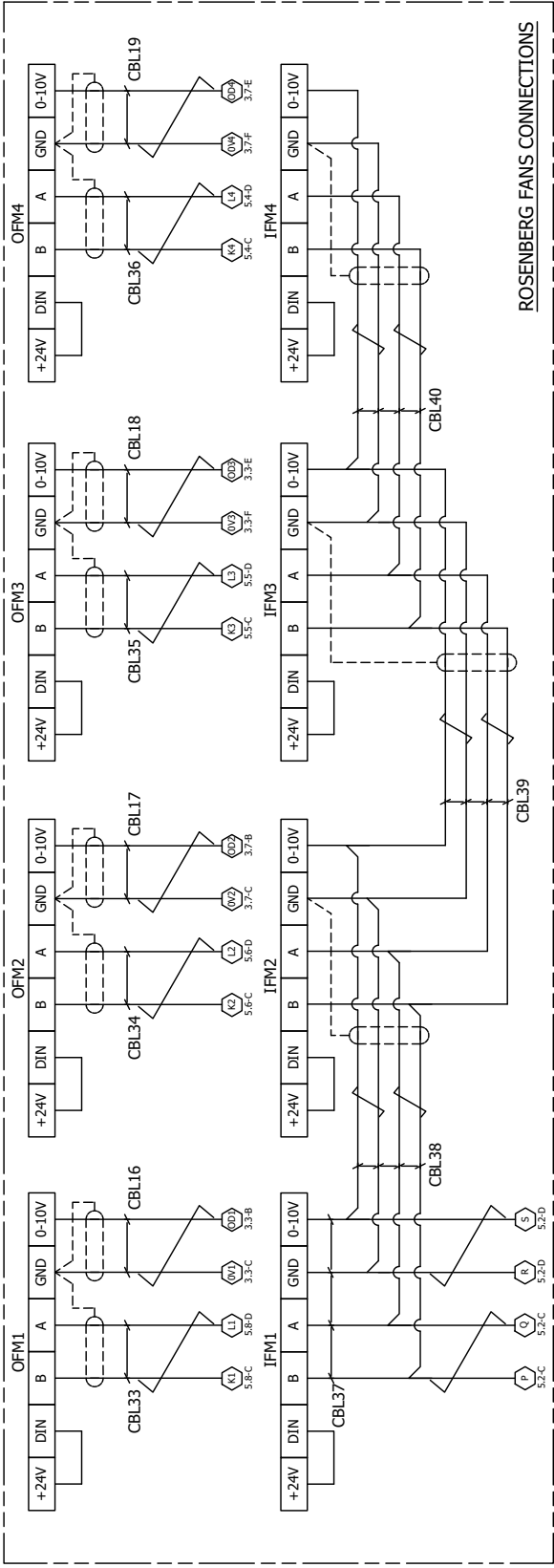
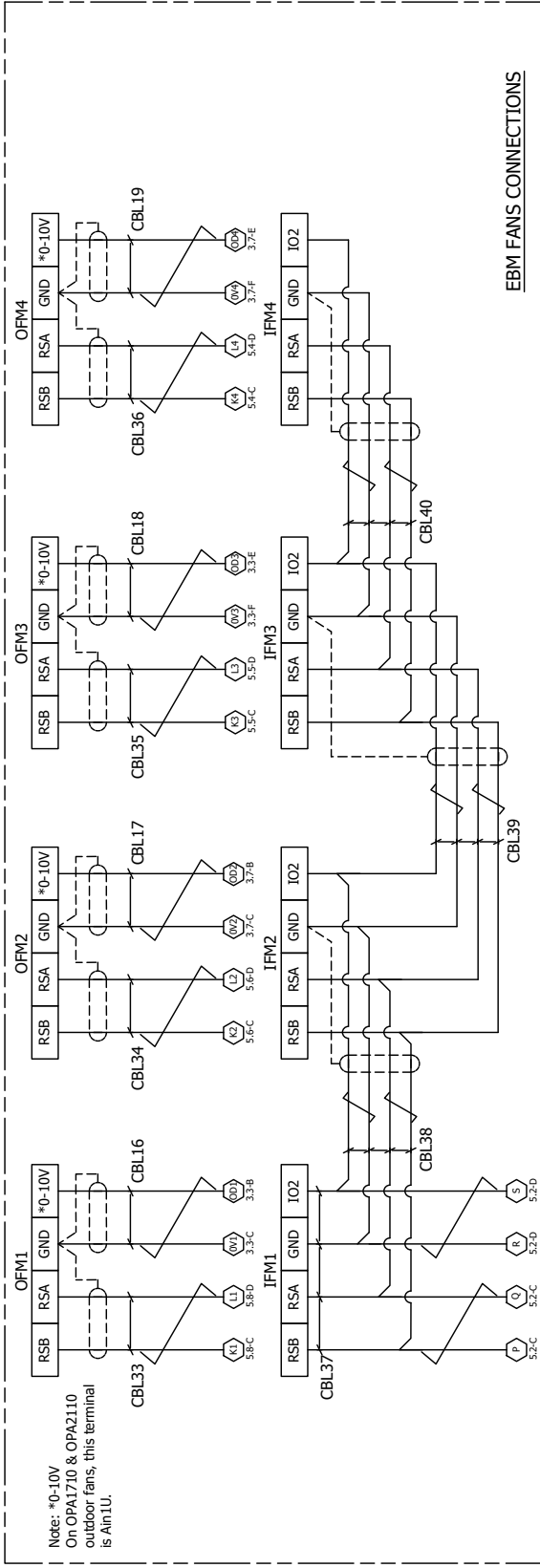
©temperzone Ltd 2022


temperzone

Title: OPA1410 / 1710 / 2110RLTM4FDPO-S1 R32 UC8
 Wiring Schematic

0 1 2 3 4 5 6 7 8 9

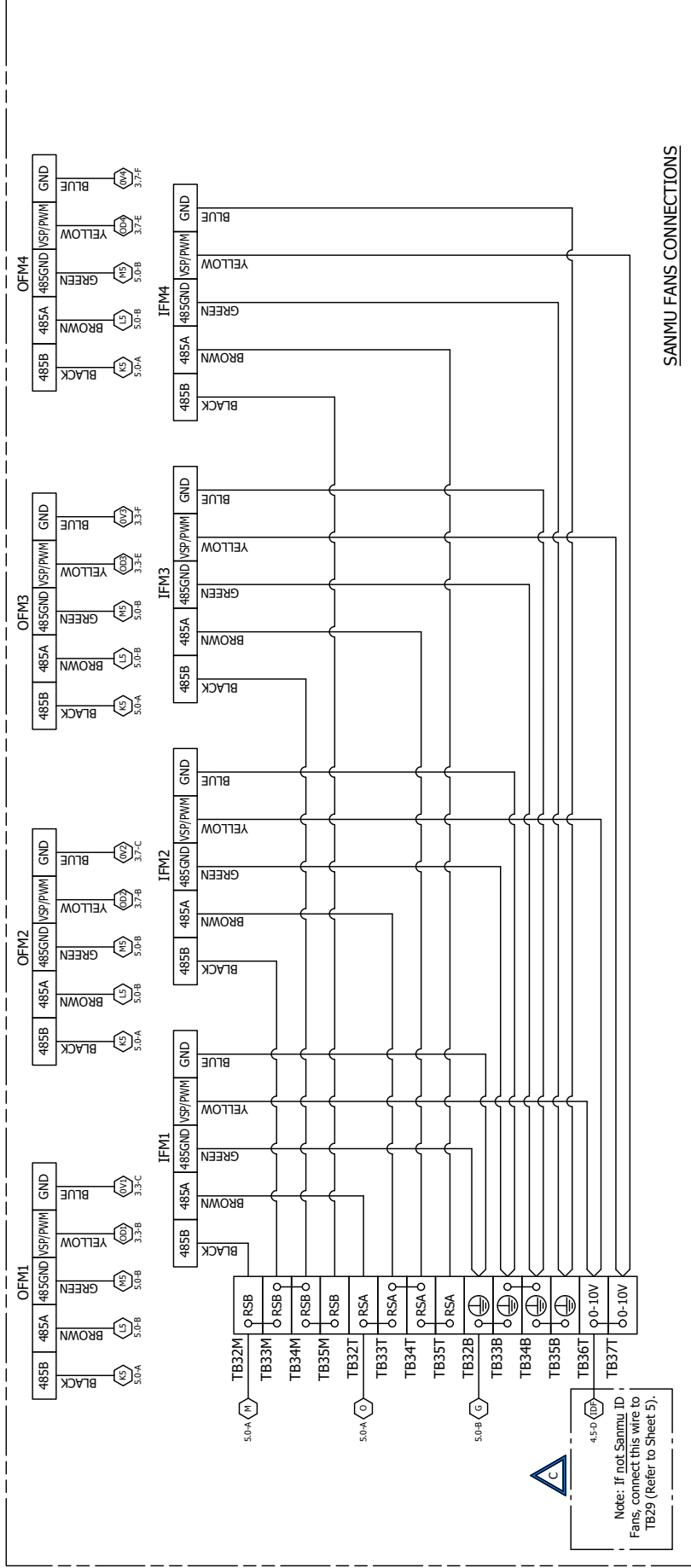
NOTE: THE FOLLOWING FANS CONNECTIONS APPLY, DEPENDING ON THE MAKE OF FANS INSTALLED IN THE UNIT.



REV	MODIFICATION			
C	Renamed circuit breakers. Revised and added note on ID fan connection to TB29 and TB36T. Added clarity to expansion module.	DATE	ECN	APVD
		12-10-23	5116	LC
©temperzone Ltd 2022		Drawn: L.C	Date: 22-05-20	Title: OPA1410 / 1710 / 2110RLTM4FDPO-S1 R32 UC8
		Client Wiring		Wiring Schematic
		Approved: <i>Pgu</i>		
		Drawing No:	291-003-281	
		SHEET 6		OF 8
		Rev:		C

0 1 2 3 4 5 6 7 8 9

NOTE: THE FOLLOWING FANS CONNECTIONS APPLY, DEPENDING ON THE MAKE OF FANS INSTALLED IN THE UNIT.



SANMU FANS CONNECTIONS

REV	MODIFICATION	DATE	ECN	APVD
C	Renamed circuit breakers. Revised and added note on ID fan connection to TB29 and TB36T. Added clarity to expansion module.	12-10-23	5116	LC

©temperzone Ltd 2022

Client Wiring: _____

Drawn: L.C | Date: 22-05-20 | Title: OPA1410 / 1710 / 2110RLTM4FDPO-S1 R32 UC8

Approved: *Pyu*

Wiring Schematic

Rev: C

Drawing No: 291-003-281

SHEET 7 OF 8