

# SPECIFICATIONS



<b>Model</b>	<b>OPA 1710RLTM4FPQD(-Z) Econex Pro</b>
Configuration	Horizontal Supply Air
Item No. (Standard / Opposite Hand)	876-171-701 / 876-171-710
Unit c/w Economiser (Standard / Opposite Hand)	877-171-701 / 877-171-710
Configuration	Downward Supply Air
Item No. (Standard / Opposite Hand)	876-171-723 / 876-171-732
Unit c/w Economiser (Standard / Opposite Hand)	877-171-723 / 877-171-732
Cooling capacity (net) <sup>1</sup>	177.9 kW
Cooling capacity (gross) range	14.6 ~ 205.8 kW
Heating capacity <sup>1</sup>	184.1 kW
Heating capacity (gross) range	14.6 ~ 214.4 kW
Electrical input - cooling	58.1 kW
Electrical input - heating	56.7 kW
EER / AEER (cooling) <sup>1</sup>	3.07 / 3.06
COP / ACOP (heating) <sup>1</sup>	3.25 / 3.24
Operating Range (outdoor ambient) - cooling	-10°C ~ 50°C
Operating Range (outdoor ambient) - heating	-10°C ~ 25°C
Master Controller	<i>c.pCO</i>
Slave Controllers	UC8 (x4)
Refrigerant	R32
Refrigerant Charge	7.6 kg/sys.
Minimum floor area (@5m below ceiling diffuser)	7.1 m <sup>2</sup> /sys.
Compressor oil type	POE-46 (NXG5020 or equivalent)
Compressor type	Inverter scroll (x4)
Power supply <sup>2</sup>	3 ph. 400V ac 50Hz + N + E
Compressor (3ph.) run amps at rating cond.	18 A/ph. (x4)
Compressor circuit breaker	32 A (x4)
Indoor fan motor size	EC Plug 500mm (x4)
Nominal air flow at rating conditions	8 400 l/s (7.5 V)
Indoor fan motor (3ph.) - full load	4.4 A/ph. (x4)
Outdoor fan motor (3ph.) - full load	4.7 A/ph. (x4)
Outdoor fan motor – max. ext. static pressure available	120 Pa (@19,600 l/s)
Control circuit breaker (internal)	4 A
Auxiliary power outlet (1ph.) overload setting	10 A
Running amps (total system)	94 / 81 / 91 A
Max. running amps (total system)	132 / 123 / 132 A
RCD type recommended	type B, 30mA, 3 pole
Net weight	2 263 kg
Shipping weight (excl. cowl)	2 323 kg
Net weight (c/w Economiser)	2 353 kg

## Accessories:

Remote wired Service Interface Device ( <i>pGD1</i> )	201-000-379
Filters - rated EU4/G4 disposable	019-400-005 500x600x50 (x12) <sup>3</sup>
Filters - rated EU4/G4 washable (NZ only)	019-000-005 500x600x50 (x12) <sup>3</sup>

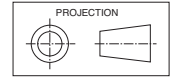
<sup>1</sup> Tested in accordance with AS/NZS 3823

23010

<sup>2</sup> Voltage range: 380 – 440 V

<sup>3</sup> Filter sizes are nominal; refer to Temperzone for actual measurements.

# DIMENSIONS (mm)

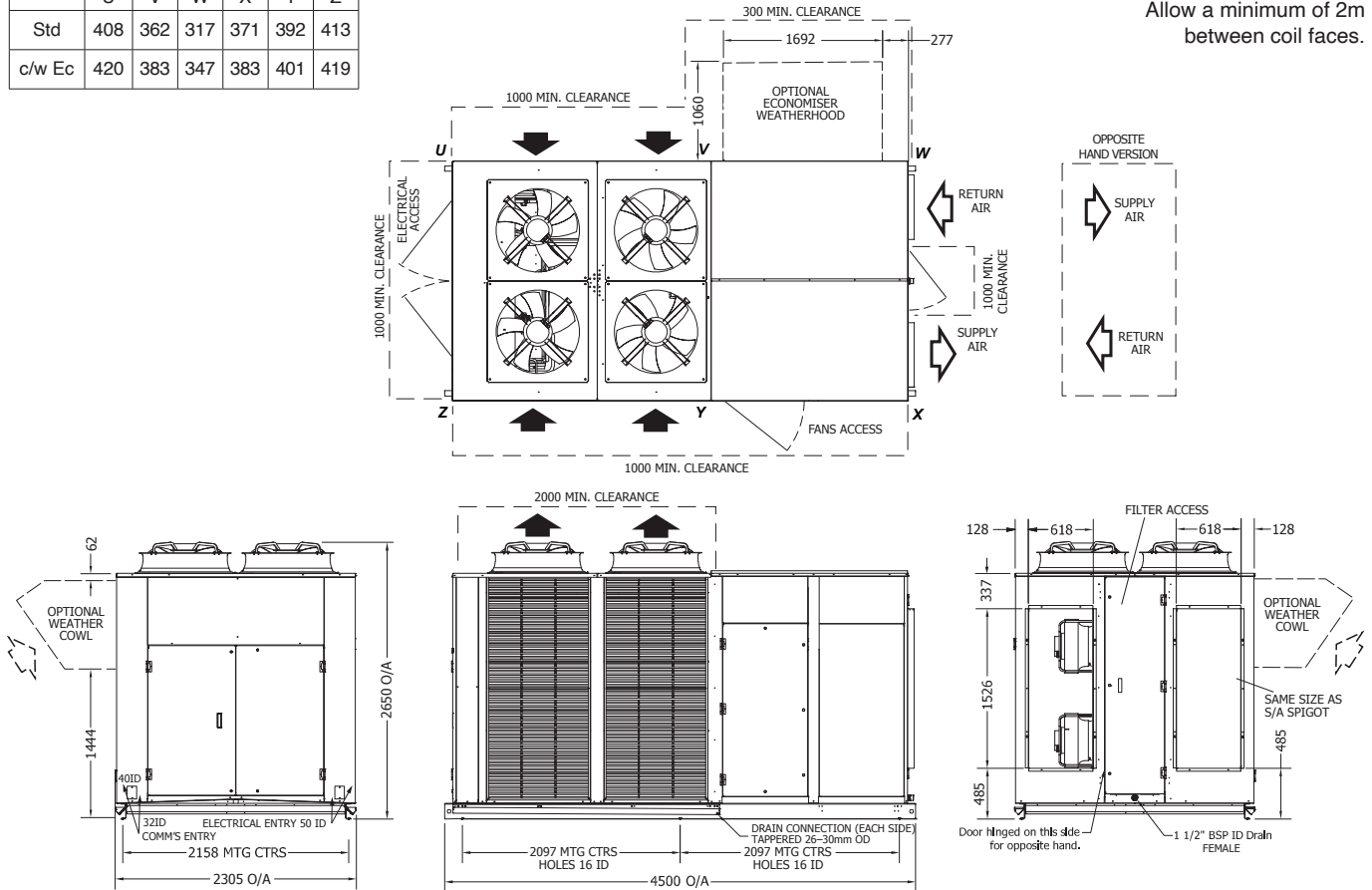


## OPA 1710RLTM4FPQD01(-Z) Horizontal Supply, Standard Hand

Not to Scale

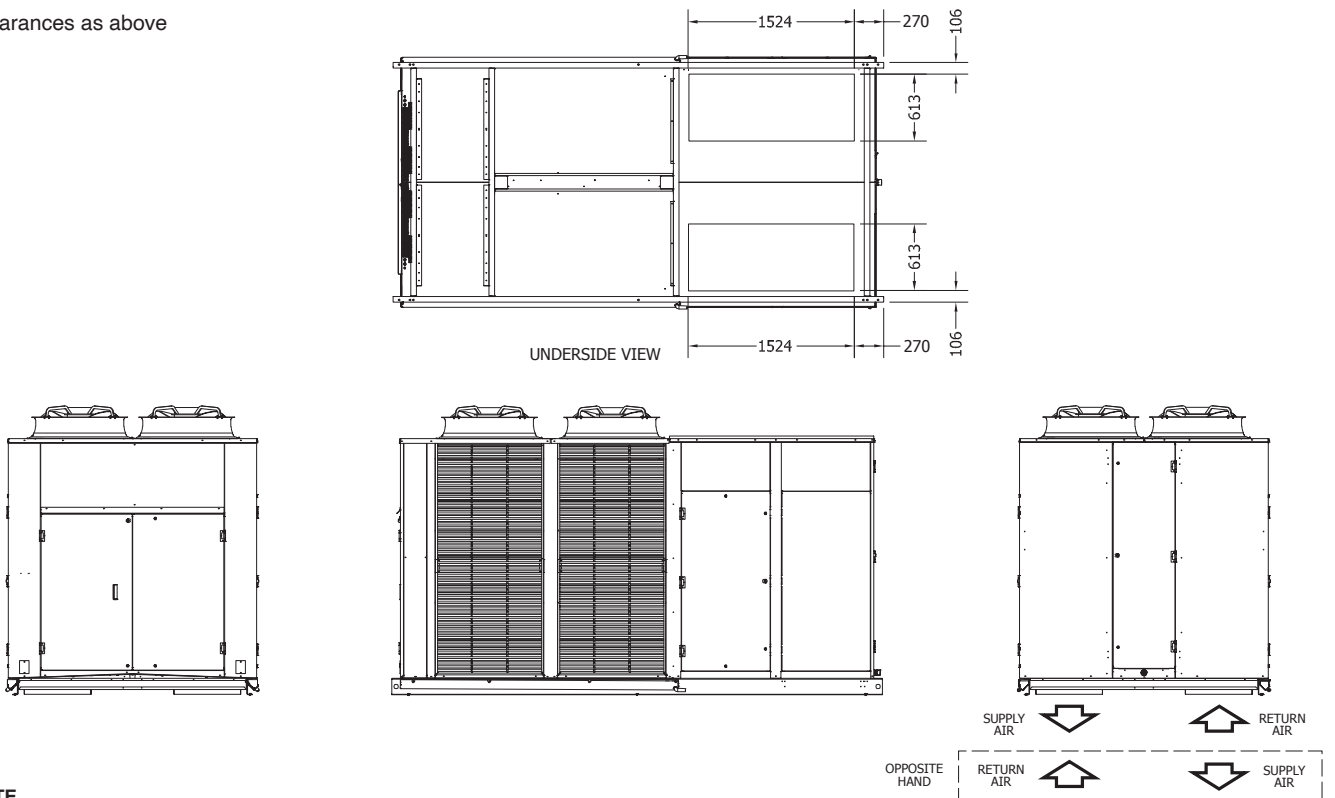
Multiple units side-by-side:  
Allow a minimum of 2m  
between coil faces.

	POINT LOADS (kg)					
	U	V	W	X	Y	Z
Std	408	362	317	371	392	413
c/w Ec	420	383	347	383	401	419



## OPA 1710RLTM4FPQD23(-Z) Downward Supply, Standard Hand

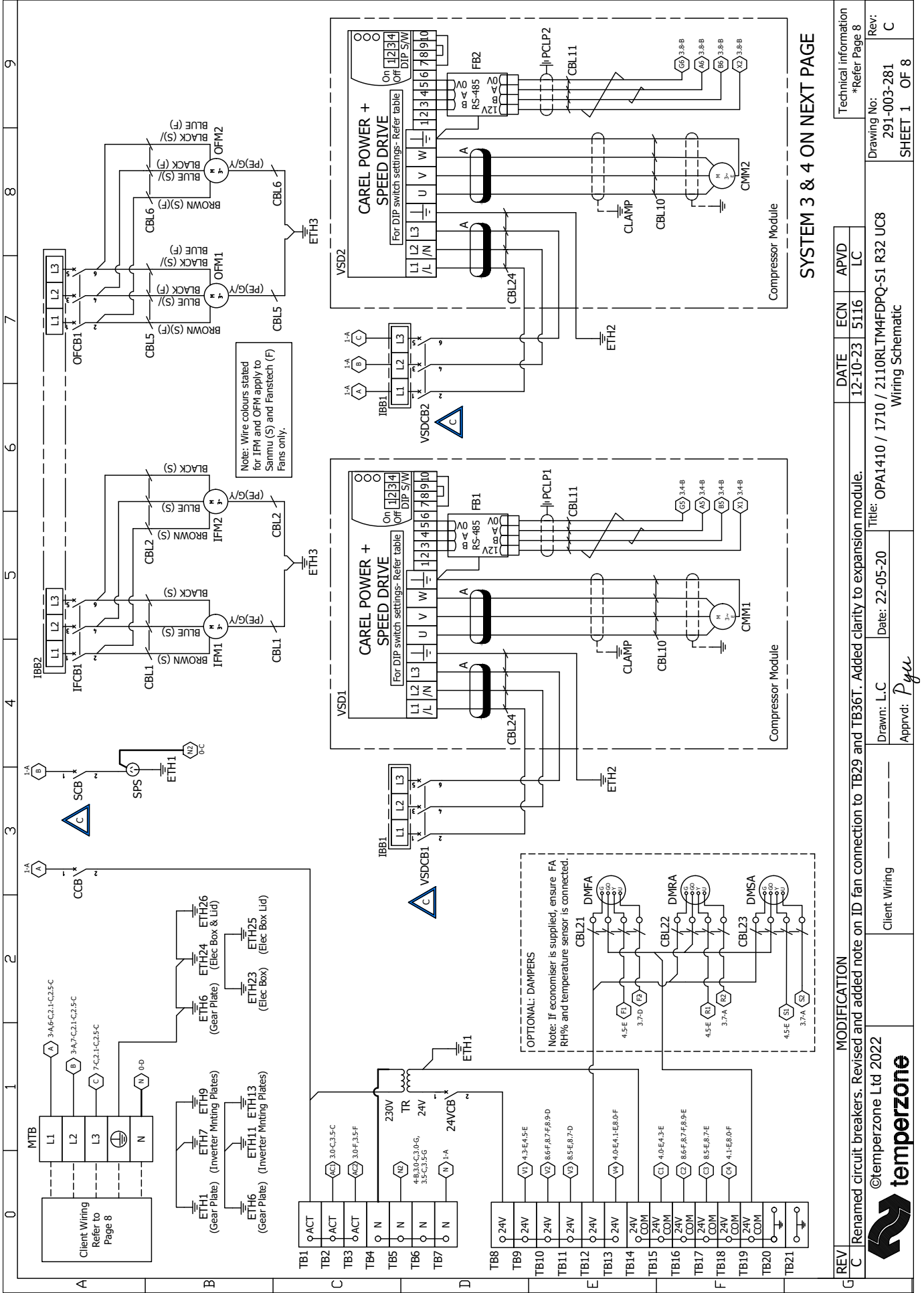
Clearances as above



### NOTE

Specifications are subject to change without notice due to the manufacturer's ongoing research and development programme.

# WIRING (1)



SYSTEM 3 & 4 ON NEXT PAGE

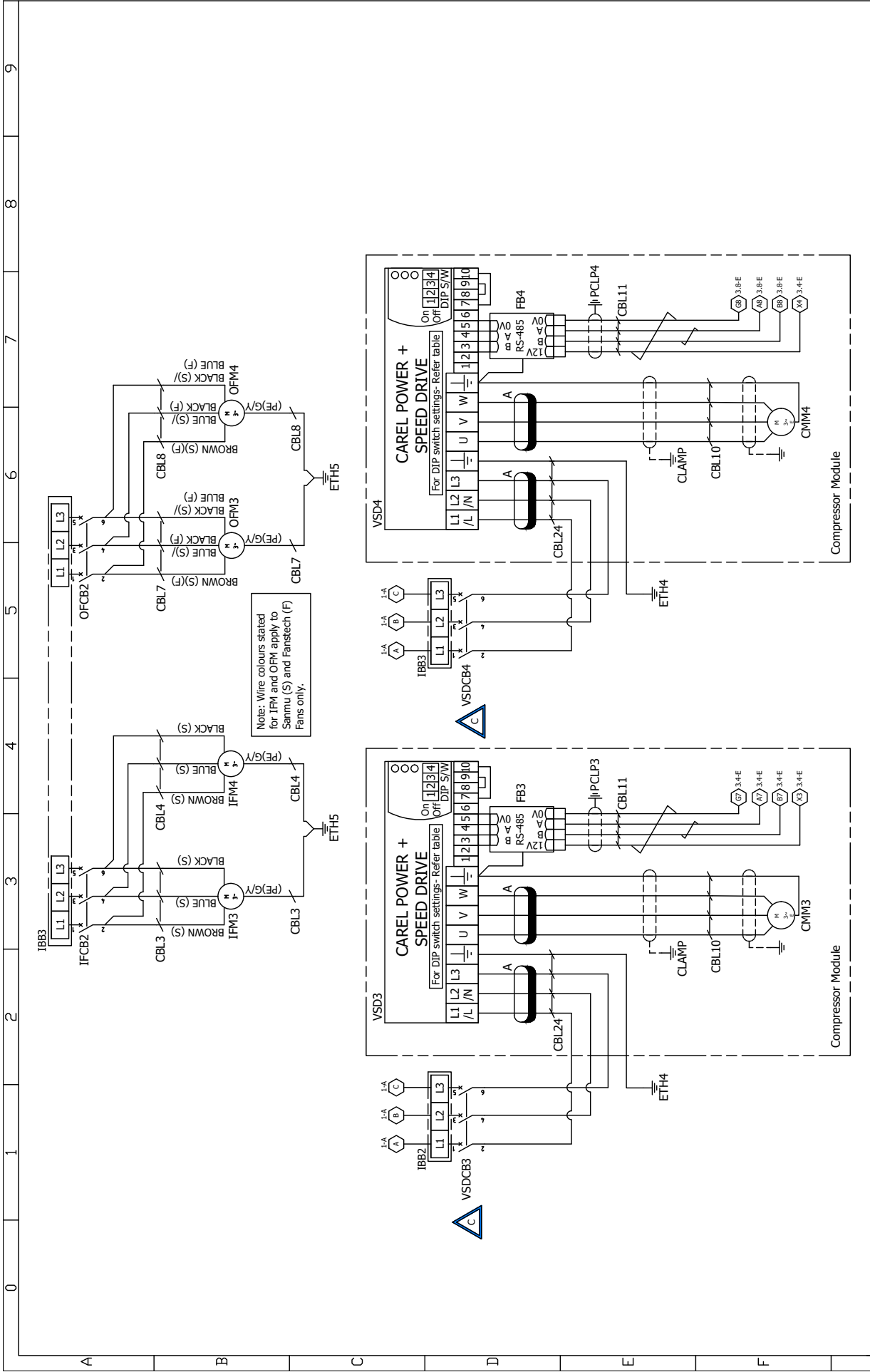
REV	MODIFICATION	DATE	ECN	APVD	Technical information
C	Renamed circuit breakers. Revised and added note on ID fan connection to TB29 and TB36T. Added clarity to expansion module.	12-10-23	5116	LC	*Refer Page 8

Client Wiring Refer to Page 8	Client Wiring	Drawn: L.C	Date: 22-05-20	Approved: <i>Pylu</i>	Title: OPA1410 / 1710 / 2110RLTM4FDPO-S1 R32 UC8	Drawing No: 291-003-281	Rev: C
-------------------------------	---------------	------------	----------------	-----------------------	--	-------------------------	--------

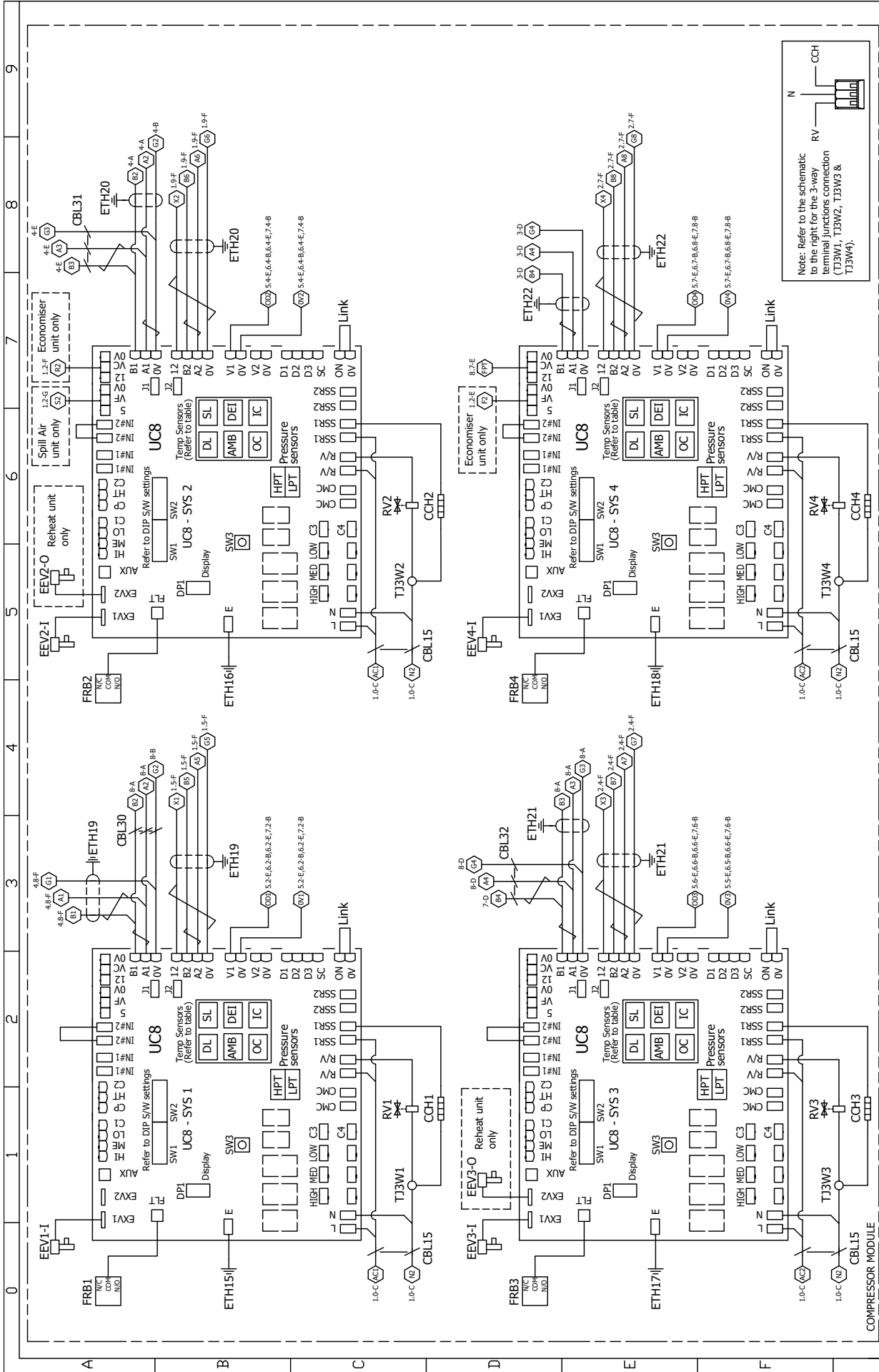
  

Client Wiring	Client Wiring	Wiring Schematic	Sheet 1	OF 8
---------------	---------------	------------------	---------	------



REV	MODIFICATION	DATE	ECN	APVD	Technical information
C	Renamed circuit breakers. Revised and added note on ID fan connection to TB29 and TB36T. Added clarity to expansion module.	12-10-23	5116	LC	*Refer Page 8
Client Wiring		Drawn: L.C	Date: 22-05-20	Approved: <i>Pyu</i>	Drawing No: 291-003-281
©temperzone Ltd 2022		Title: OPA1410 / 1710 / 2110RLTM4FDPO-S1 R32 UC8		Rev: C	
		Wiring Schematic		SHEET 2 OF 8	

# WIRING (3)



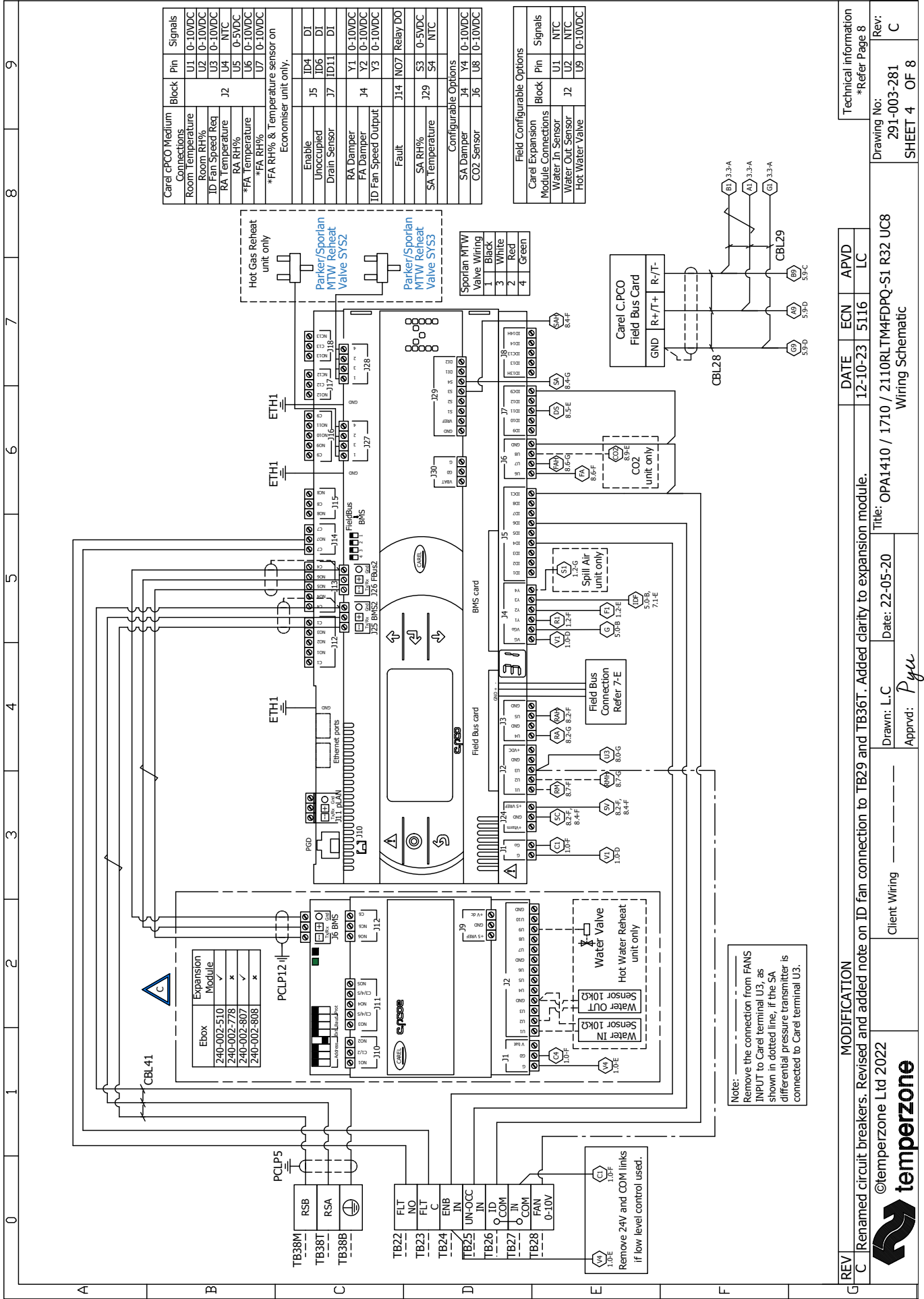
REV	MODIFICATION	DATE	ECN	APVD	LC
C	Renamed circuit breakers. Revised and added note on ID fan connection to TB29 and TB36T. Added clarity to expansion module.	12-10-23	5116	LC	

Technical information	*Refer Page 8
Drawing No:	291-003-281
Rev:	C
Title: OPA1410 / 1710 / 2110RLTM4FDPQ-S1 R32 UC8 Wiring Schematic	
Client Wiring	-----
Drawn: L.C	Date: 22-05-20
Approved: <i>Pyle</i>	



©temperzone Ltd 2022

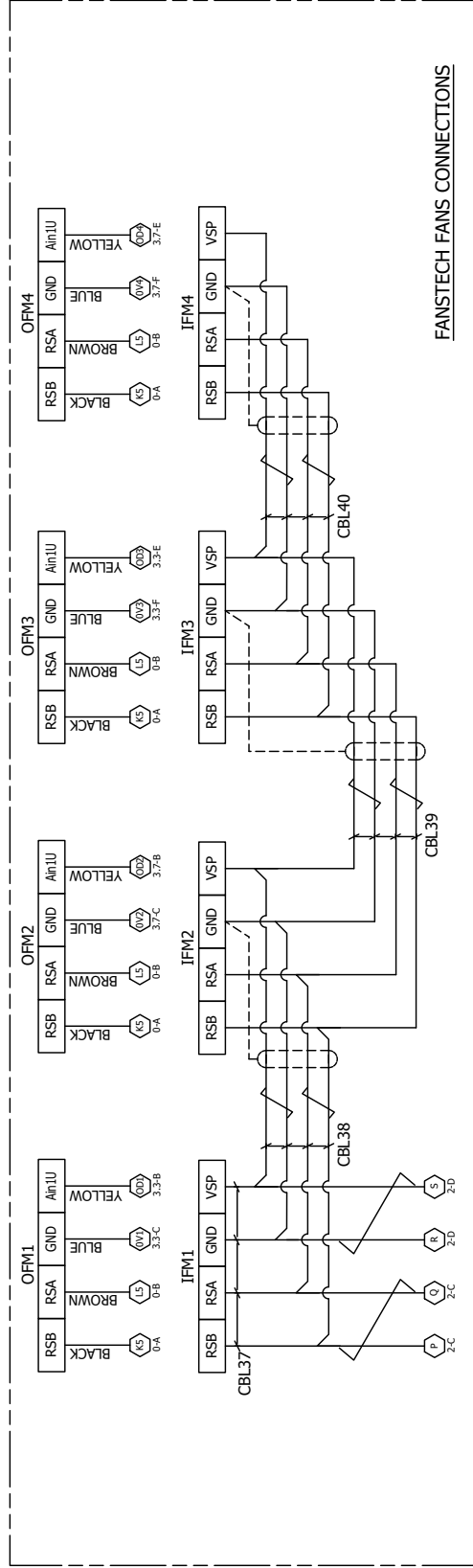
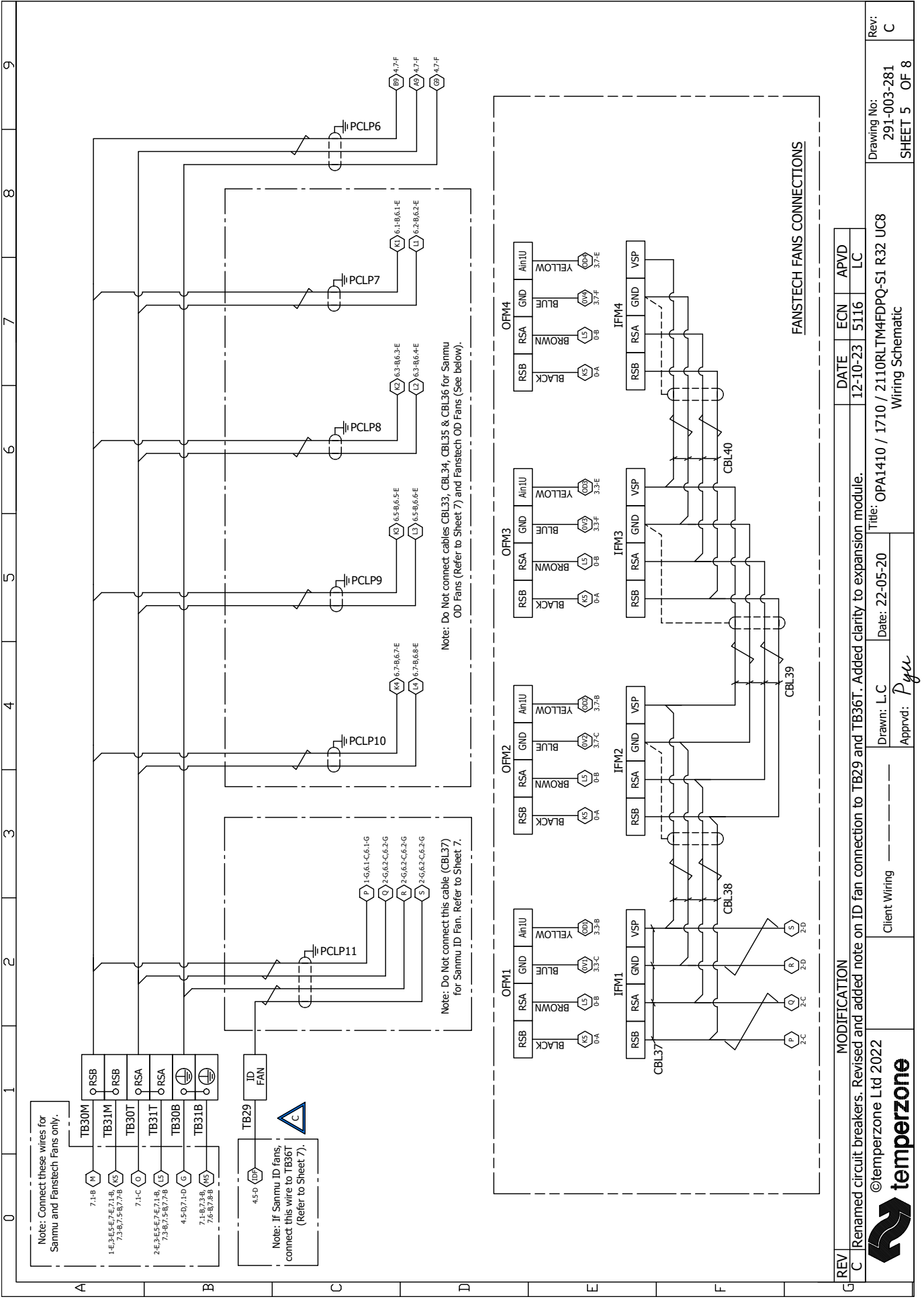


G	REV	MODIFICATION	DATE	ECN	APVD	Technical information
	C	Renamed circuit breakers. Revised and added note on ID fan connection to TB29 and TB36T. Added clarity to expansion module.	12-10-23	5116	LC	*Refer Page 8
		Client Wiring	Drawn: L.C	Date: 22-05-20	Approved: <i>Pyle</i>	Drawing No: 291-003-281
						Rev: C
						SHEET 4 OF 8



©temperzone Ltd 2022

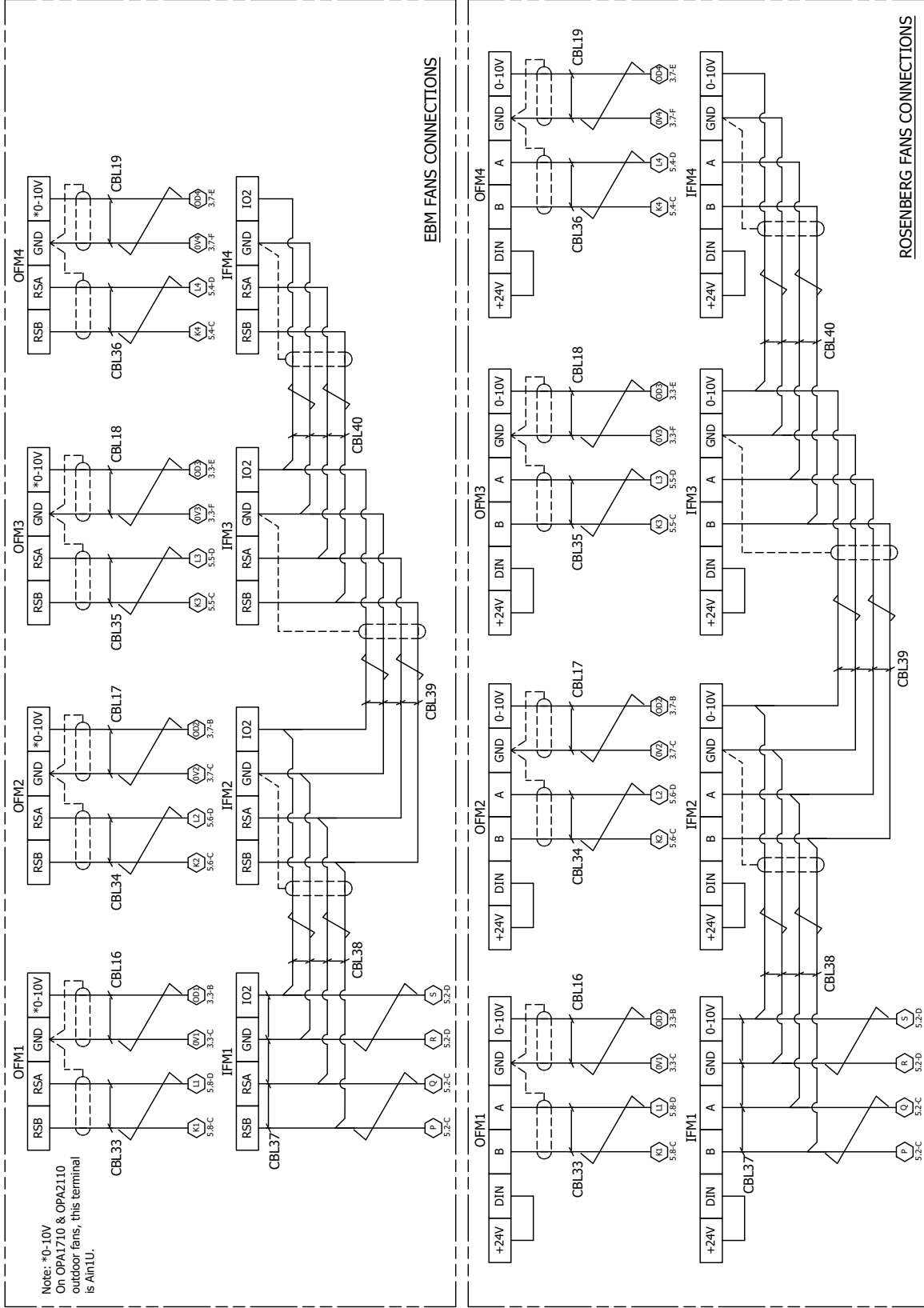
Title: OPA1410 / 1710 / 2110RLTM4FDPQ-S1 R32 UC8  
Wiring Schematic



REV	MODIFICATION			DATE	ECN	APVD
C	Renamed circuit breakers. Revised and added note on ID fan connection to TB29 and TB36T. Added clarity to expansion module.			12-10-23	5116	LC
©temperzone Ltd 2022				Drawn: L.C	Date: 22-05-20	Client Wiring
				Approvd: <i>Pyy</i>	Wiring Schematic	
Drawing No: 291-003-281				Title: OPA1410 / 1710 / 2110RLTM4DPQ-S1 R32 UC8		Rev: C
SHEET 5				OF 8		

0 1 2 3 4 5 6 7 8 9

NOTE: THE FOLLOWING FANS CONNECTIONS APPLY, DEPENDING ON THE MAKE OF FANS INSTALLED IN THE UNIT.



REV	MODIFICATION	DATE	ECN	APVD
C	Renamed circuit breakers. Revised and added note on ID fan connection to TB29 and TB36T. Added clarity to expansion module.	12-10-23	5116	LC



©temperzone Ltd 2022  
 Client Wiring \_\_\_\_\_  
 Approved: *Pyu*

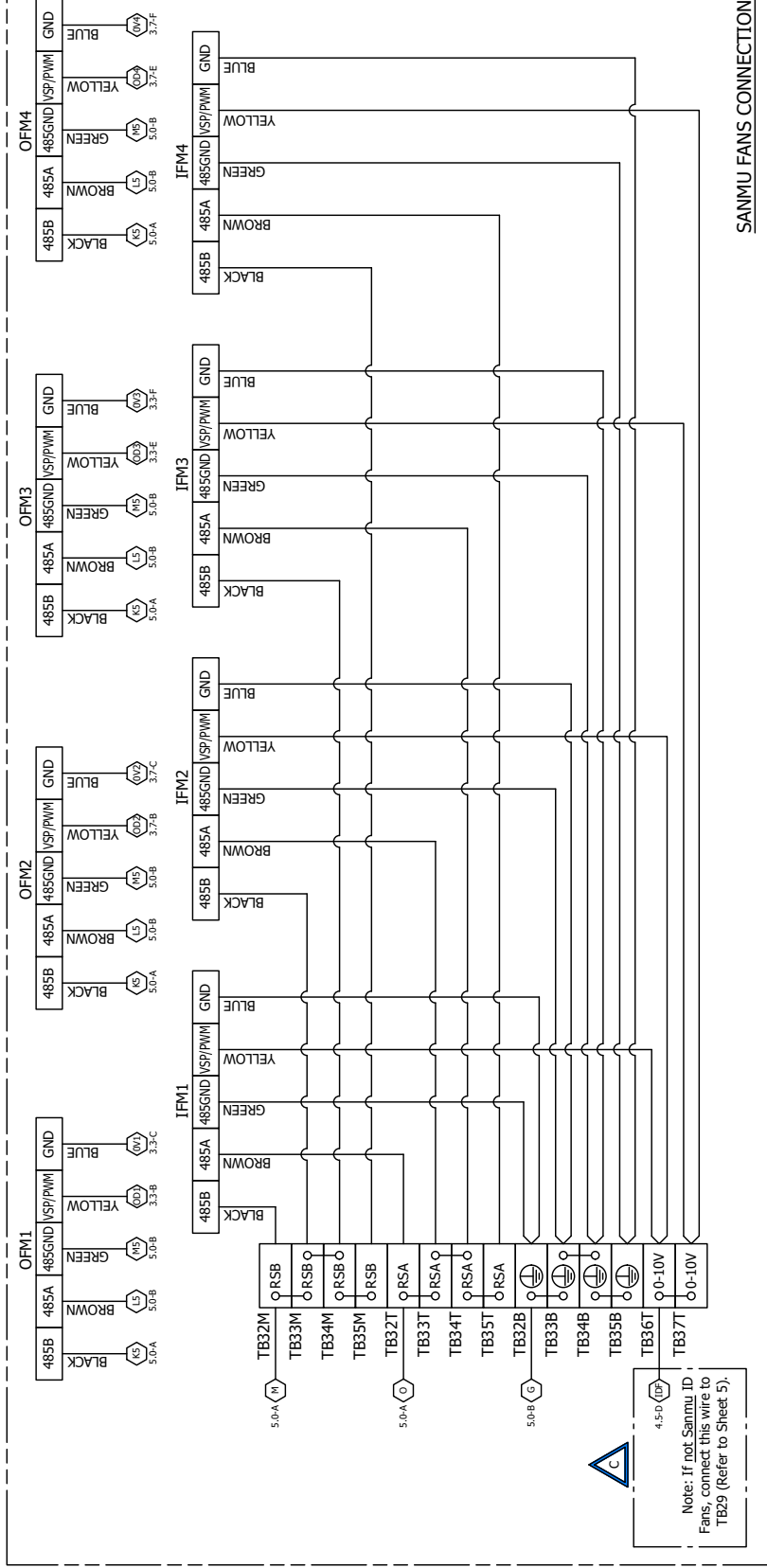
Title: OPA1410 / 1710 / 2110RLTM4FDPO-S1 R32 UC8  
 Wiring Schematic

Drawing No: 291-003-281  
 SHEET 6 OF 8  
 Rev: C



0 1 2 3 4 5 6 7 8 9

NOTE: THE FOLLOWING FANS CONNECTIONS APPLY, DEPENDING ON THE MAKE OF FANS INSTALLED IN THE UNIT.



SANMU FANS CONNECTIONS

REV	MODIFICATION	DATE	ECN	APVD
C	Renamed circuit breakers. Revised and added note on ID fan connection to TB29 and TB36T. Added clarity to expansion module.	12-10-23	5116	LC

©temperzone Ltd 2022



Client Wiring \_\_\_\_\_  
 Drawn: L.C  
 Date: 22-05-20  
 Title: OPA1410 / 1710 / 2110RLTM4FDPO-S1 R32 UC8  
 Wiring Schematic

Rev: C  
 Drawing No: 291-003-281  
 SHEET 7 OF 8

Apprvd: *Pyle*

