

Model	OPA 1410RLTM4FPQD-I(Z) Econex Pro
Configuration	Horizontal Supply Air
Reheat Item No. (Standard / Opposite Hand)	886-141-701 / 886-141-710
Unit c/w Economiser Item No. (Standard / Opposite Hand)	887-141-701 / 887-141-710
Configuration	Downward Supply Air
Item No. (Standard / Opposite Hand)	886-141-723 / 886-141-732
Unit c/w Economiser Item No. (Standard / Opposite Hand)	887-141-723 / 887-141-732
Cooling capacity (net) ¹	146 kW
Cooling capacity (gross) range	11.8 ~ 189 kW
Heating capacity ¹	145 kW
Heating capacity (gross) range	12.9 ~ 181 kW
Electrical input - cooling	45.1 kW
Electrical input - heating	43.2 kW
EER / AEER (cooling) ¹	3.20 / 3.19
COP / ACOP (heating) ¹	3.35 / 3.34
Operating Range (outdoor ambient) - cooling	-10°C ~ 50°C
Operating Range (outdoor ambient) - heating	-10°C ~ 25°C
Master Controller	<i>c.pCO</i>
Slave Controllers	UC8 (x4)
Refrigerant	R32
Refrigerant Charge - Reheat model	Sys. 1 & 4: 7.1 kg/sys. Sys. 2 & 3: 8.1 kg/sys.
Minimum floor area (@2.4m/5m below ceiling diffuser)	34-43 m ² / 8-10 m ²
Compressor oil type	POE-46 (NXG5020 or equivalent)
Compressor type	Inverter scroll (x4)
Power supply ²	3 ph. 400V ac 50Hz + N + E
Compressor (3ph.) run amps at rating cond.	14.7 A/ph. (x4)
Compressor circuit breaker	32 A (x4)
Indoor fan motor size	EC Plug 3.65kW (x4)
Nominal air flow at rating conditions	8,100 l/s
Indoor fan motor (3ph.)	4.6 A/ph. (x4)
Outdoor fan motor (3ph.) - full load	1.9 A/ph. (x4)
Outdoor fan motor – max. ext. static pressure available	120 Pa (@12,100 l/s)
Control circuit breaker (internal)	4 A
Auxiliary power outlet (1ph.) overload setting	10 A
Running amps (total system)	74 A/ph.
Max. running amps (total system)	121 A/ph.
RCD type recommended	type B, 30mA, 3 pole
Net weight - Reheat model	2140 kg
Shipping weight (excl. cowl)	2200 kg
Net weight (c/w Economiser)	2230 kg

Accessories:

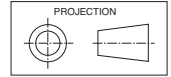
Remote wired Service Interface Display (<i>pGDN1</i>)	201-000-867
Filters - rated EU4/G4 disposable	019-400-005 600x500x50 (x3) ³ 019-400-007 600x600x50 (x6)
Filters - rated EU4/G4 washable ^(NZ only)	019-000-034 600x500x50 (x3) ³ 019-000-031 600x600x50 (x6)

¹ Tested in accordance with AS/NZS 3823

² Voltage range: 380–440V

³ Filter sizes are nominal; refer to Temperzone for actual measurements.

DIMENSIONS (mm)

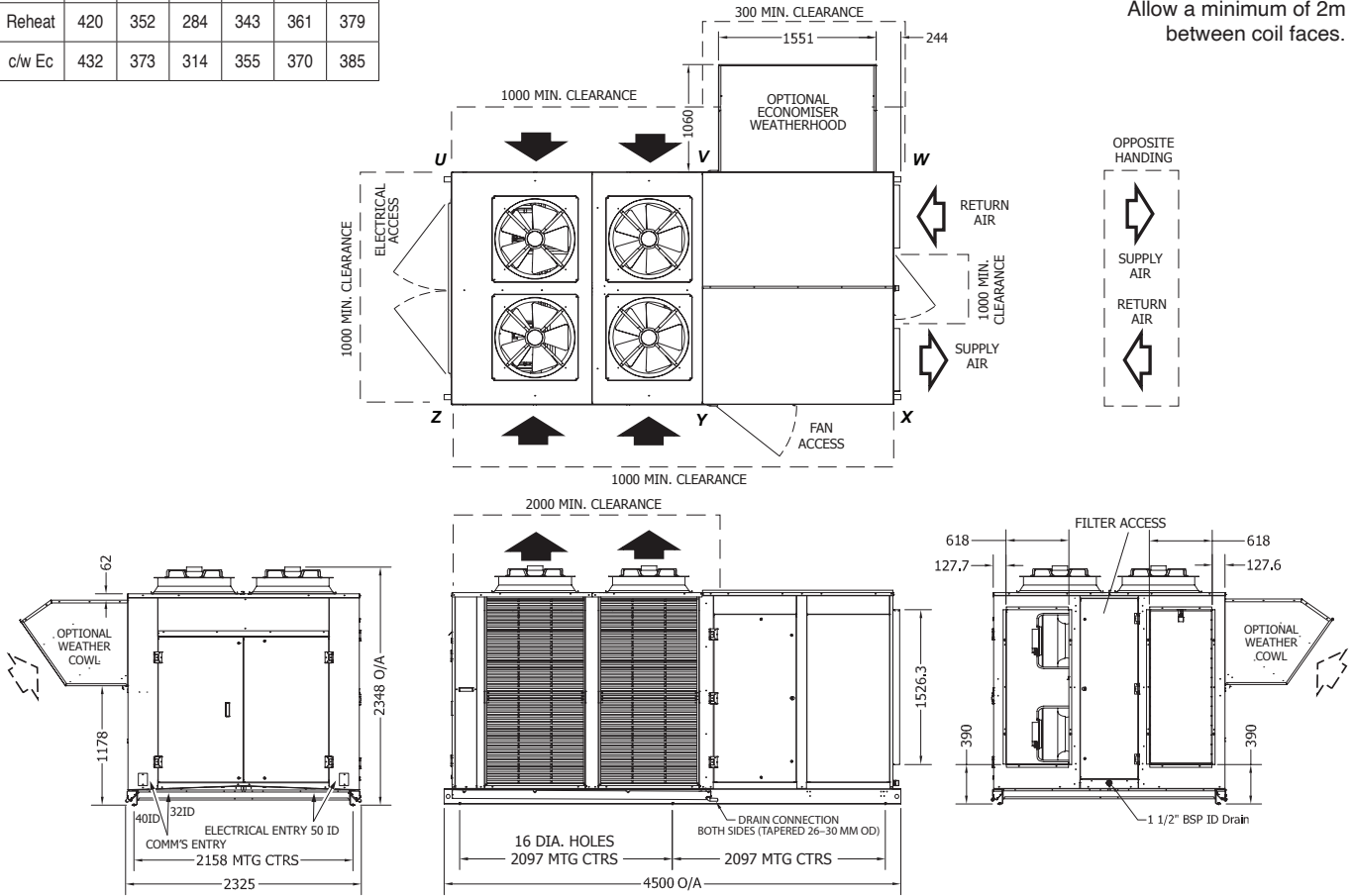


OPA 1410RLTM4FPQD01-I(Z) Horizontal Supply / Standard Hand

	POINT LOADS (kg)					
	U	V	W	X	Y	Z
Reheat	420	352	284	343	361	379
c/w Ec	432	373	314	355	370	385

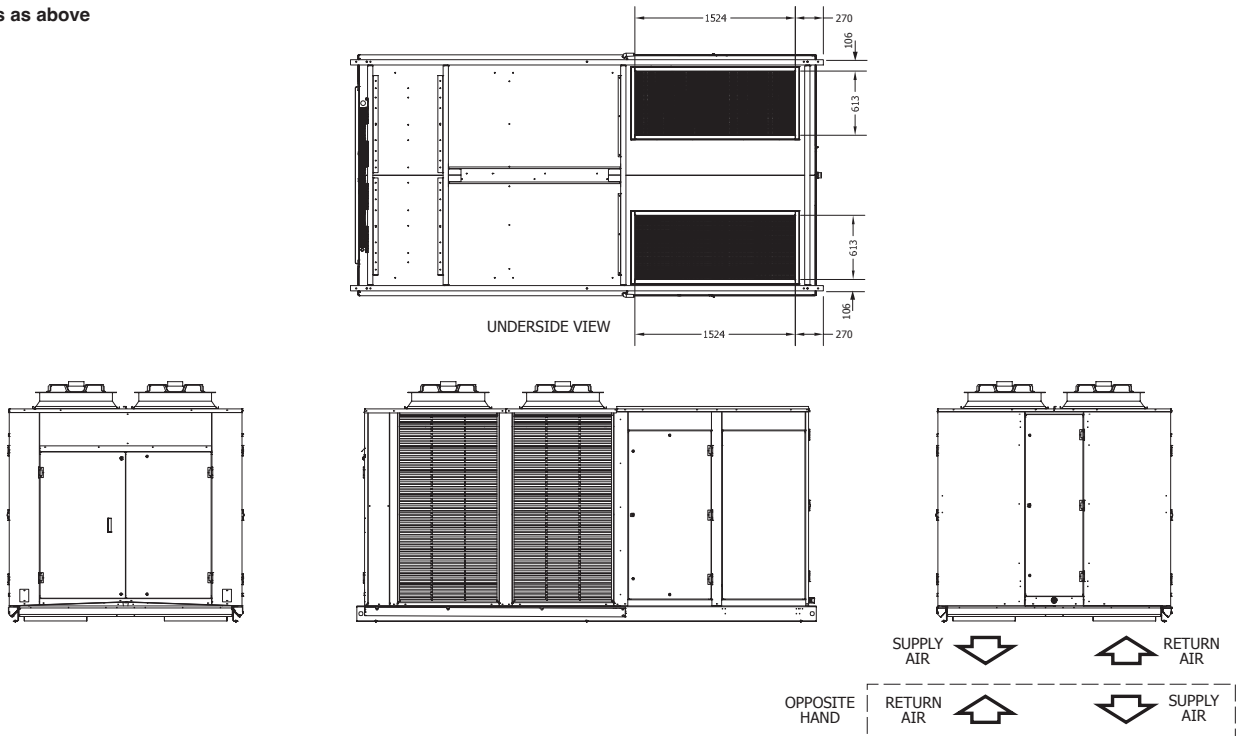
Not to Scale

Multiple units side-by-side:
Allow a minimum of 2m
between coil faces.



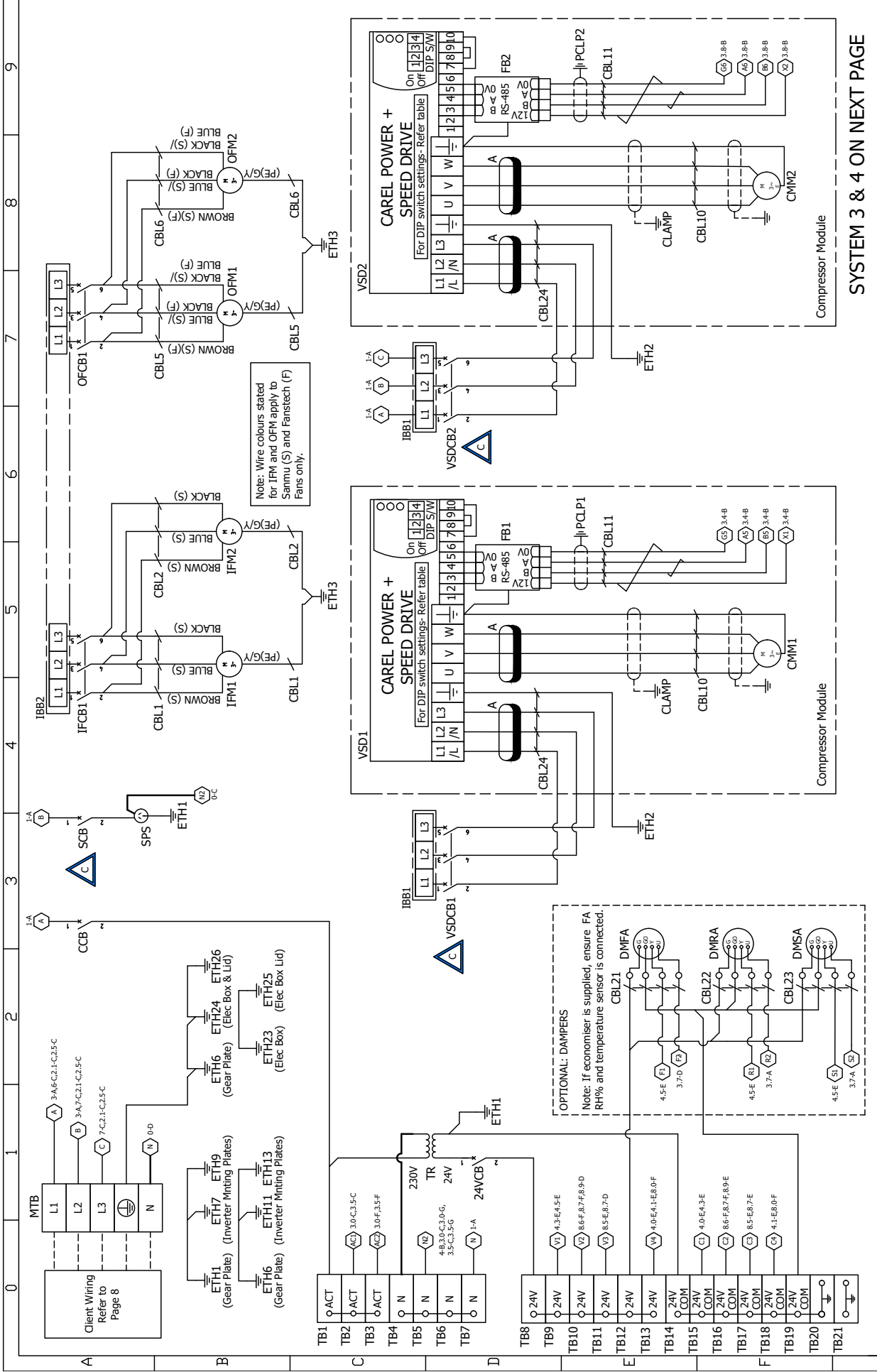
OPA 1410RLTM4FPQD23-I(Z) Downward Supply / Standard Hand

Clearances as above



NOTE

Specifications are subject to change without notice due to the manufacturer's ongoing research and development programme.

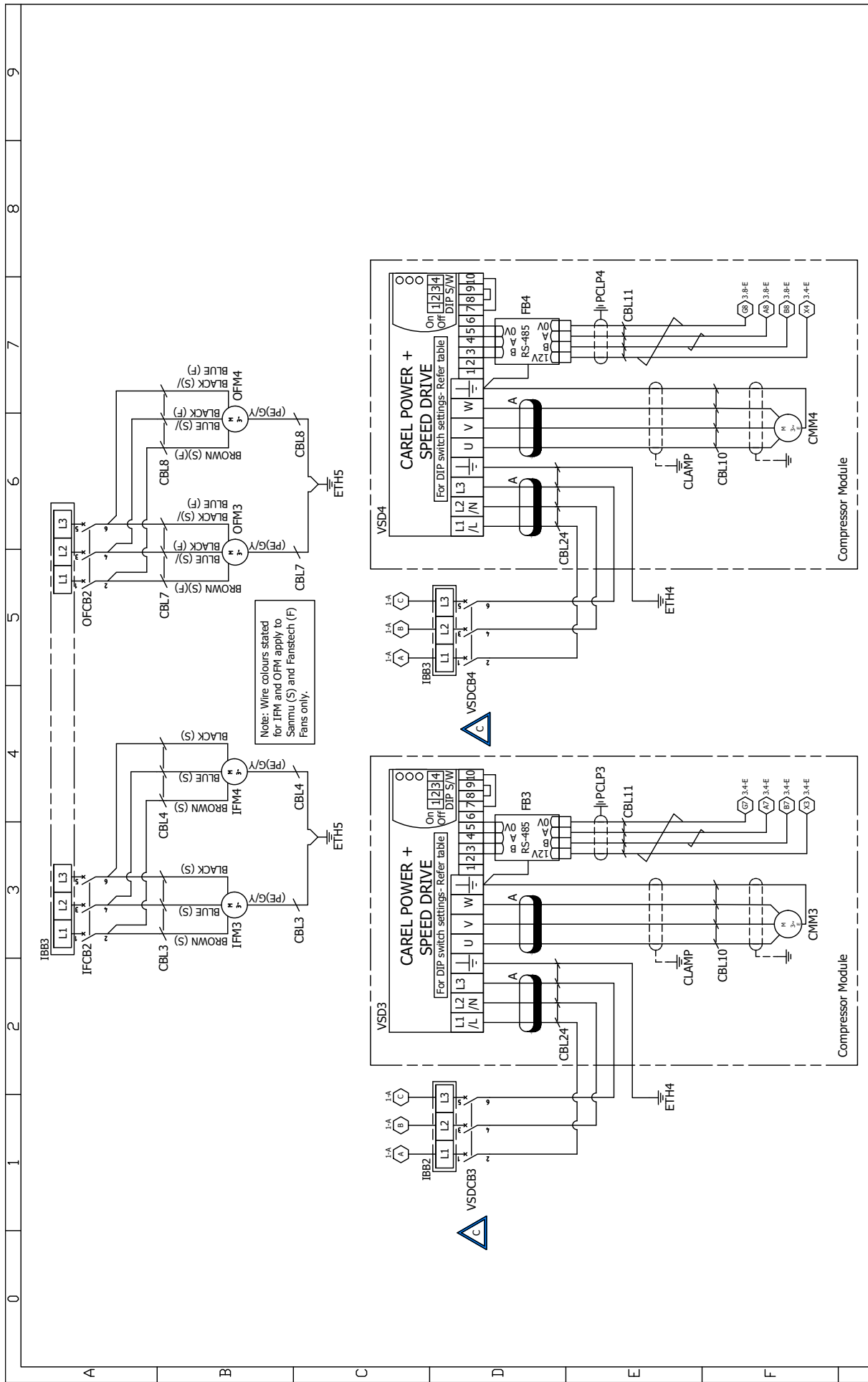



Note: Wire colours stated for IFM and OFM apply to Sammu (S) and Fanstech (F) Fans only.

OPTIONAL: DAMPERS
Note: If economiser is supplied, ensure FA RH% and temperature sensor is connected.

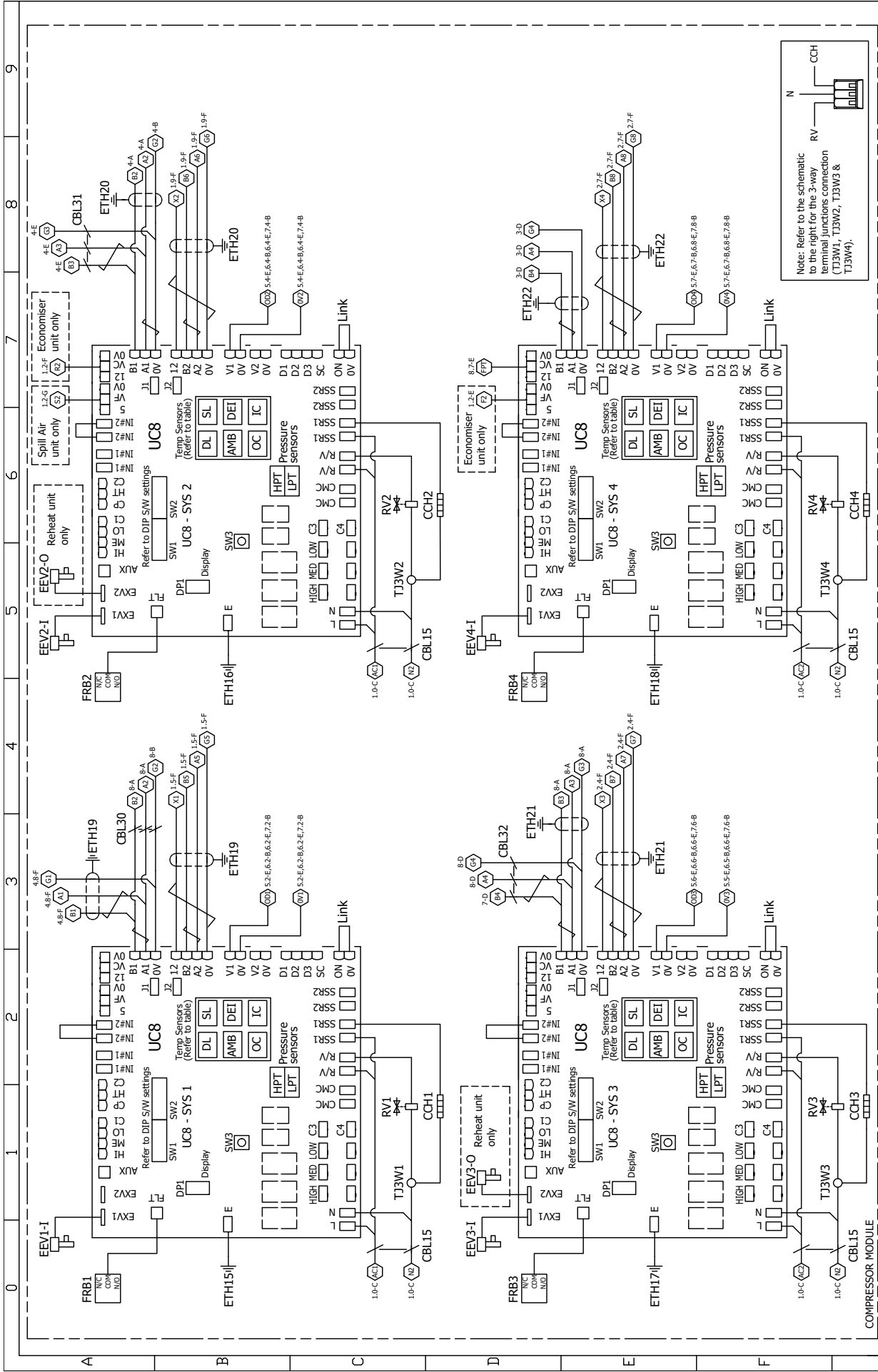
SYSTEM 3 & 4 ON NEXT PAGE

REV	C	Renamed circuit breakers. Revised and added note on ID fan connection to TB29 and TB36T. Added clarity to expansion module.	DATE	12-10-23	ECN	5116	APVD	LC	Technical information *Refer Page 8
Drawn:	L.C	Date:	22-05-20	Title:	OPA1410 / 1710 / 2110RLTM4FDPQ-S1 R32 UC8				
Client Wiring	---		Approved:	Pyy		Wiring Schematic			
©temperzone Ltd 2022			Drawing No:		291-003-281		Rev: C		
temperzone			SHEET 1		OF 8				



REV	MODIFICATION	DATE	ECN	APVD	Technical information
C	Renamed circuit breakers. Revised and added note on ID fan connection to TB29 and TB36T. Added clarity to expansion module.	12-10-23	5116	LC	*Refer Page 8
©temperzone Ltd 2022		Drawn: L.C	Date: 22-05-20	Drawing No: 291-003-281	
		Client Wiring	Apprvd: <i>Pylu</i>	Rev: C	
			Title: OPA1410 / 1710 / 2110RLTM4FDPO-S1 R32 UC8		SHEET 2 OF 8
			Wiring Schematic		

WIRING (3)



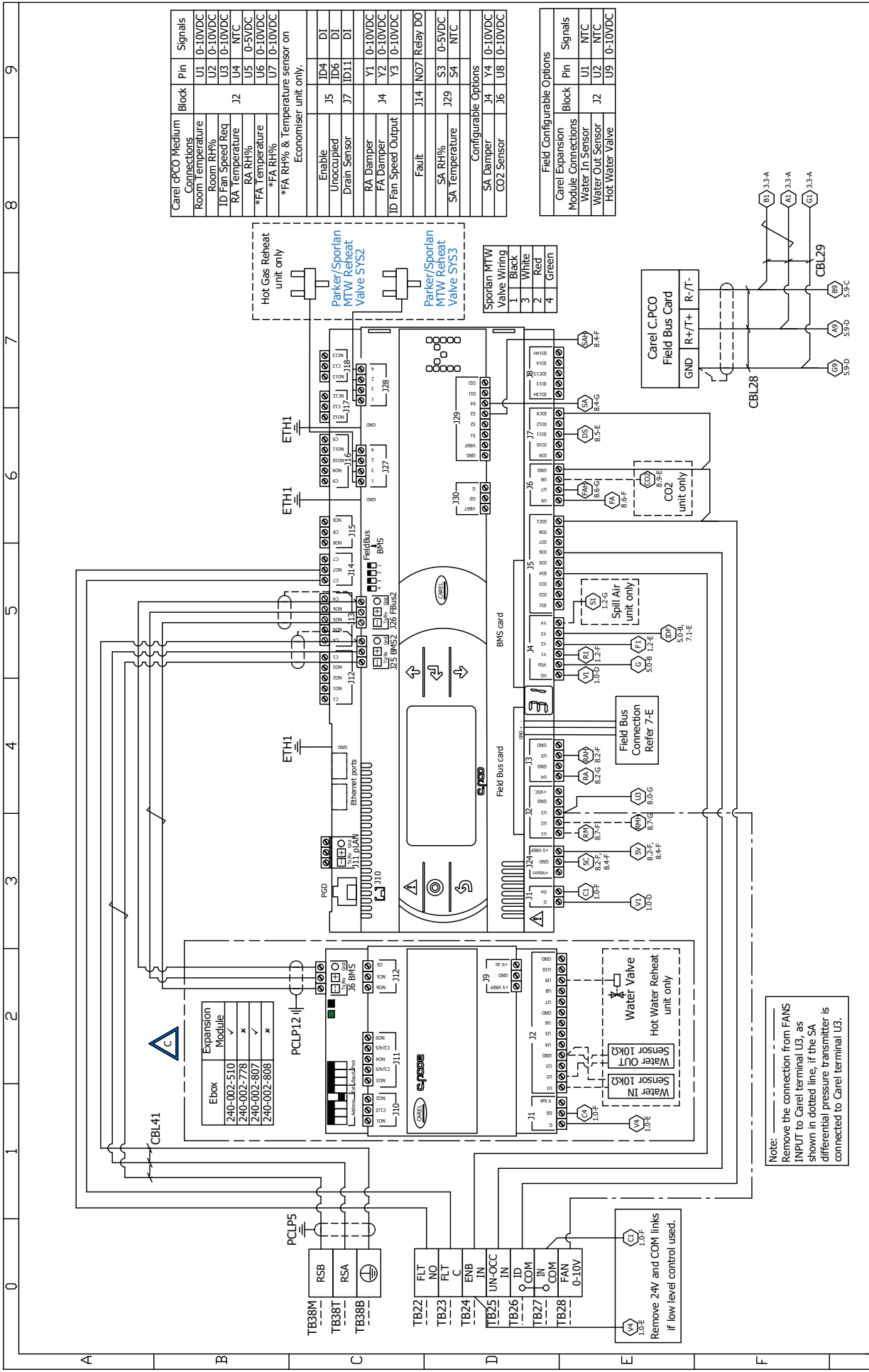
REV	MODIFICATION	DATE	ECN	APVD	LC
C	Renamed circuit breakers. Revised and added note on ID fan connection to TB29 and TB36T. Added clarity to expansion module.	12-10-23	5116	LC	

Technical information	*Refer Page 8
Drawing No:	291-003-281
Rev:	C
Title:	OPA1410 / 1710 / 2110RLTM4FDPQ-S1 R32 UC8
Wiring Schematic	
Client Wiring	-----
Drawn: L.C	Date: 22-05-20
Approved: <i>Pyle</i>	

SHEET 3	OF 8
---------	------



©temperzone Ltd 2022



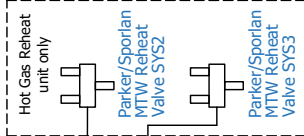
Carel dPCO Medium Connections	Block	Pin	Signals
Room Temperature	U1	0-10VDC	U1
Room RH%	U2	0-10VDC	U2
ID Fan Speed Req	U3	0-10VDC	U3
RA Temperature	U4	0-10VDC	U4
RA RH%	U5	0-5VDC	U5
*FA Temperature	U6	0-10VDC	U6
*FA RH%	U7	0-10VDC	U7

*FA RH% & Temperature sensor on Economiser unit only.

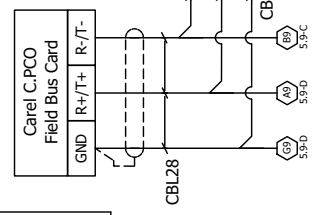
Enable	ID4	DI
Unoccupied	J5	DI
Drain Sensor	J7	DI
RA Damper	Y1	0-10VDC
FA Damper	Y2	0-10VDC
ID Fan Speed Output	Y3	0-10VDC
Fault	J14	NO7 Relay DO
SA RH%	J29	S3 0-5VDC
SA Temperature	S4	NTC

Configurable Options	
SA Damper	J4 Y4 0-10VDC
CO2 Sensor	J6 U8 0-10VDC

Field Configurable Options	
Carel Expansion Module Connections	Block Pin Signals
Water In Sensor	U1 U2 NTC
Water Out Sensor	U2 U1 NTC
Hot Water Valve	U9 U9 0-10VDC



Sporlan MTW Valve Wiring	
1	Black
2	White
3	Red
4	Green

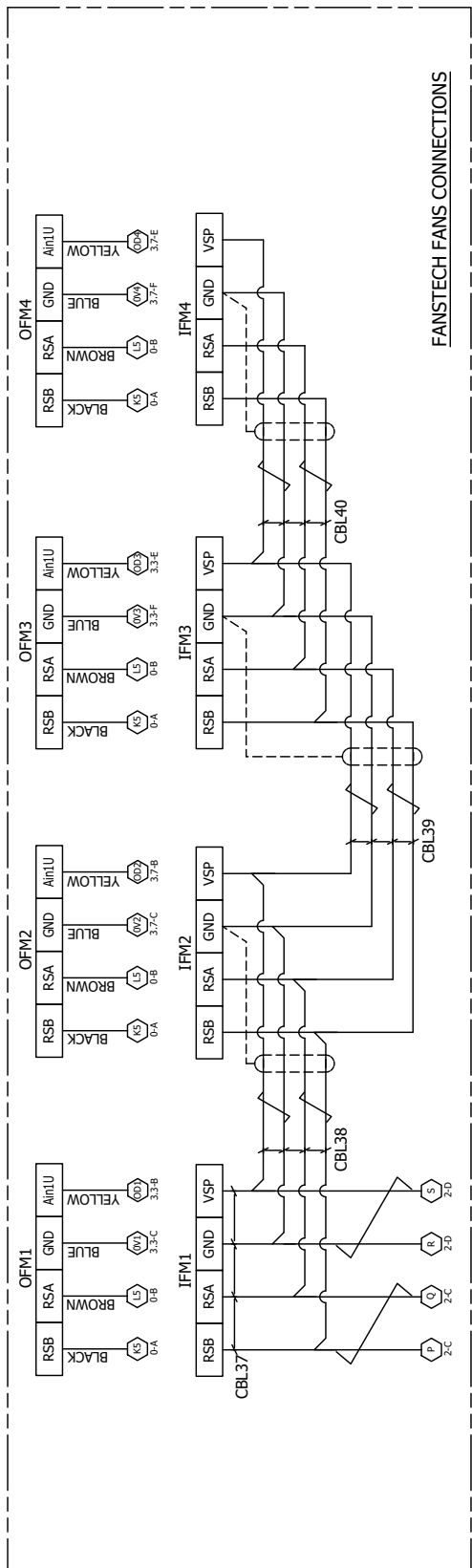
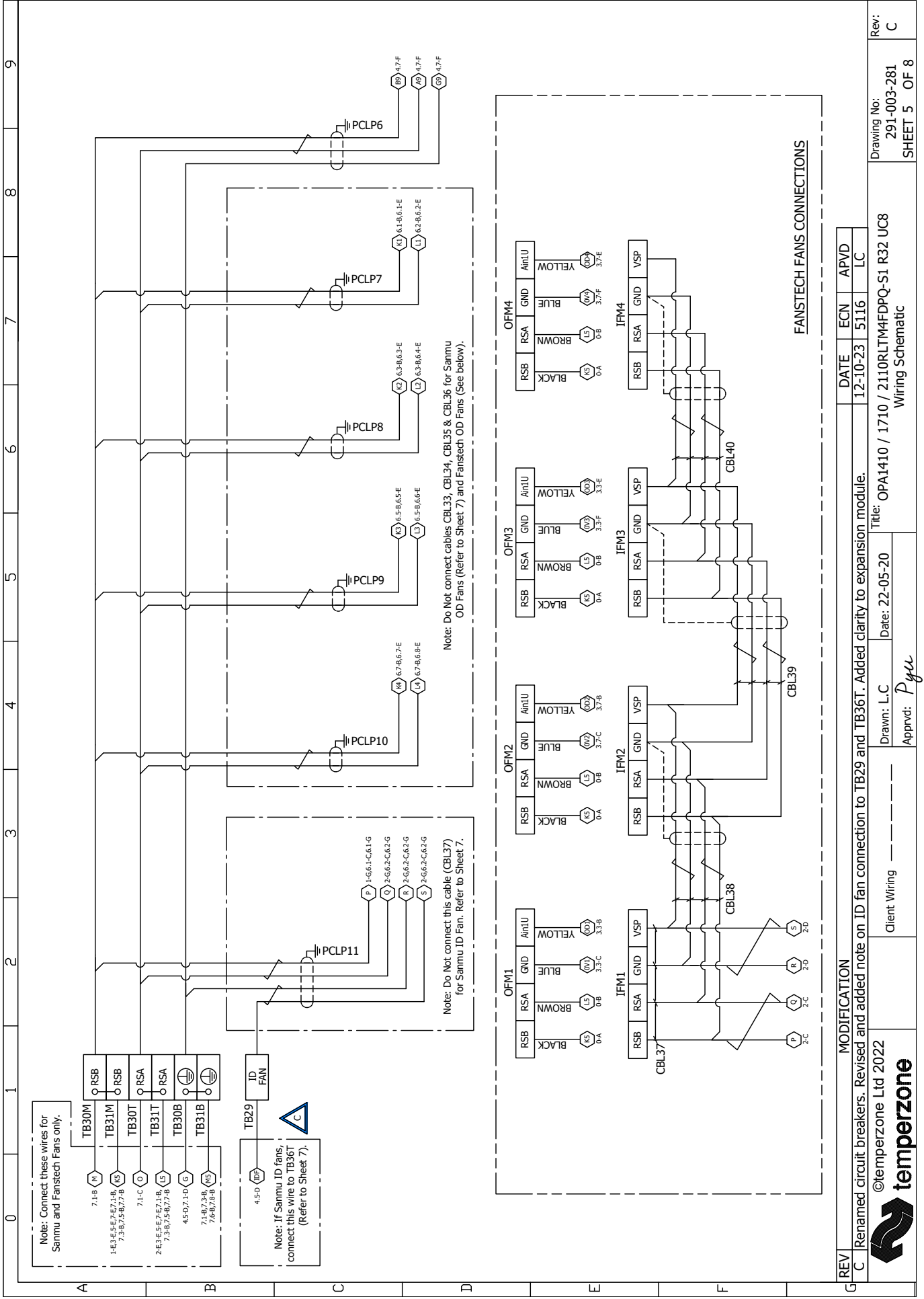


Note:
 Remove the connection from FANS INPUT to Carel terminal U3, as shown in dotted line, if the SA differential pressure transmitter is connected to Carel terminal U3.

REV	MODIFICATION	DATE	ECN	APVD	Technical information
C	Renamed circuit breakers. Revised and added note on ID fan connection to TB29 and TB36T. Added clarity to expansion module.	12-10-23	5116	LC	*Refer Page 8

Drawing No:	291-003-281	Rev:	C
Client Wiring	_____	Sheet	4 OF 8

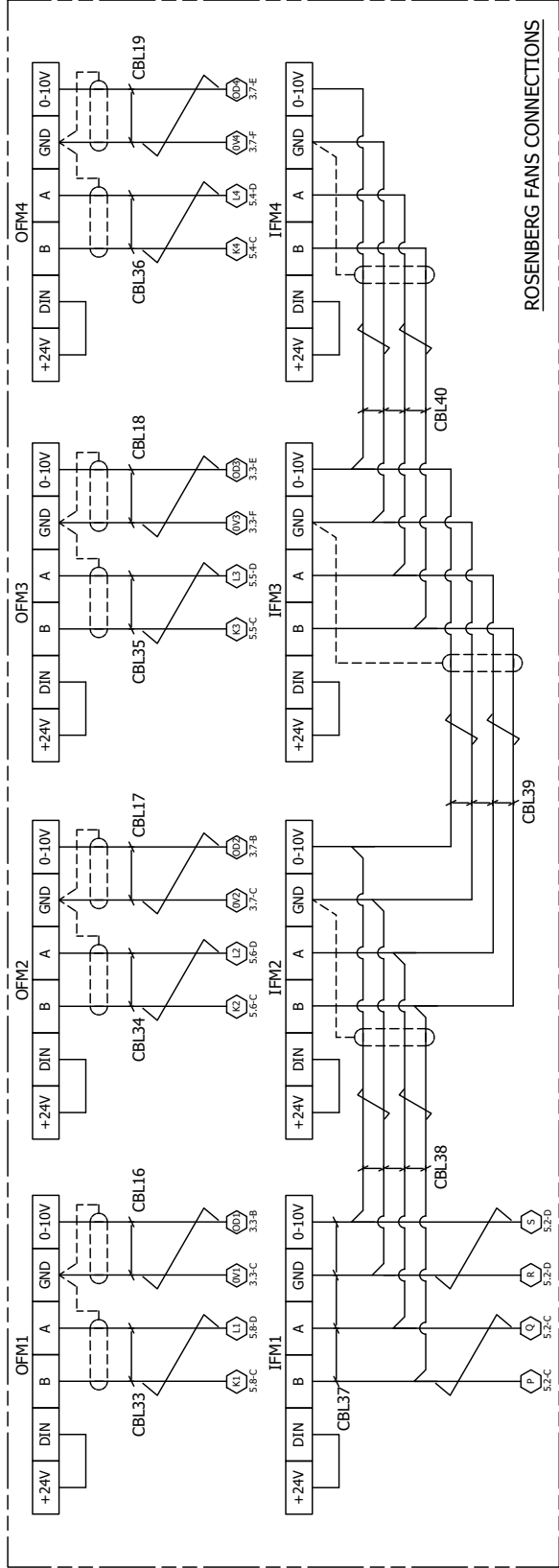
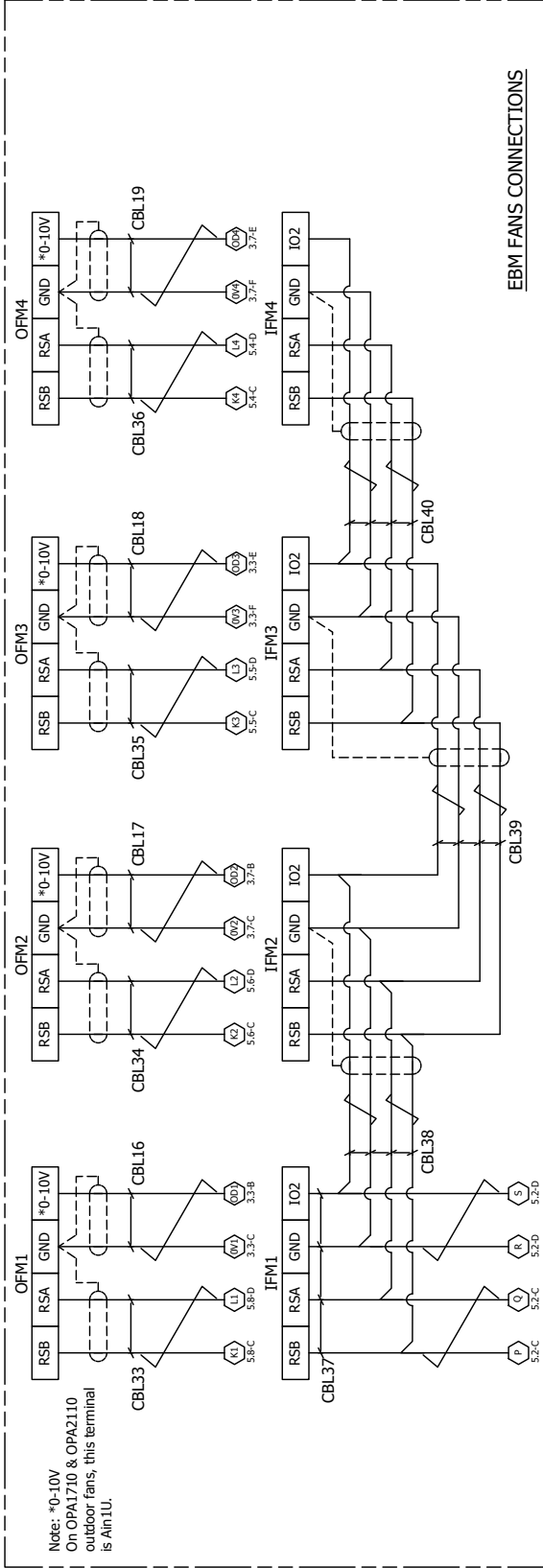
©temperzone Ltd 2022	temperzone	Title: OPA1410 / 1710 / 2110RLTM4FDPO-S1 R32 UC8
Drawn: L.C	Date: 22-05-20	Wiring Schematic
Approved: <i>Pyu</i>		



REV	C	Renamed circuit breakers. Revised and added note on ID fan connection to TB29 and TB36T. Added clarity to expansion module.	DATE	12-10-23	ECN	5116	APVD	LC
MODIFICATION			Title: OPA1410 / 1710 / 2110RLTM4FDPO-Q-S1 R32 UC8					
Client Wiring			Date: 22-05-20		Drawn: L.C			Rev: C
temperzone			Approvd: P.yu		Wiring Schematic			SHEET 5 OF 8

0 1 2 3 4 5 6 7 8 9

NOTE: THE FOLLOWING FANS CONNECTIONS APPLY, DEPENDING ON THE MAKE OF FANS INSTALLED IN THE UNIT.



MODIFICATION

Renamed circuit breakers. Revised and added note on ID fan connection to TB29 and TB36T. Added clarity to expansion module.

DATE	ECN	APVD
12-10-23	5116	LC

©temperzone Ltd 2022



Client Wiring

Approved: *PYu*

Title: OPA1410 / 1710 / 2110RLTM4FDPQ-S1 R32 UC8

Wiring Schematic

Drawing No: 291-003-281

SHEET 6 OF 8

Rev: C

