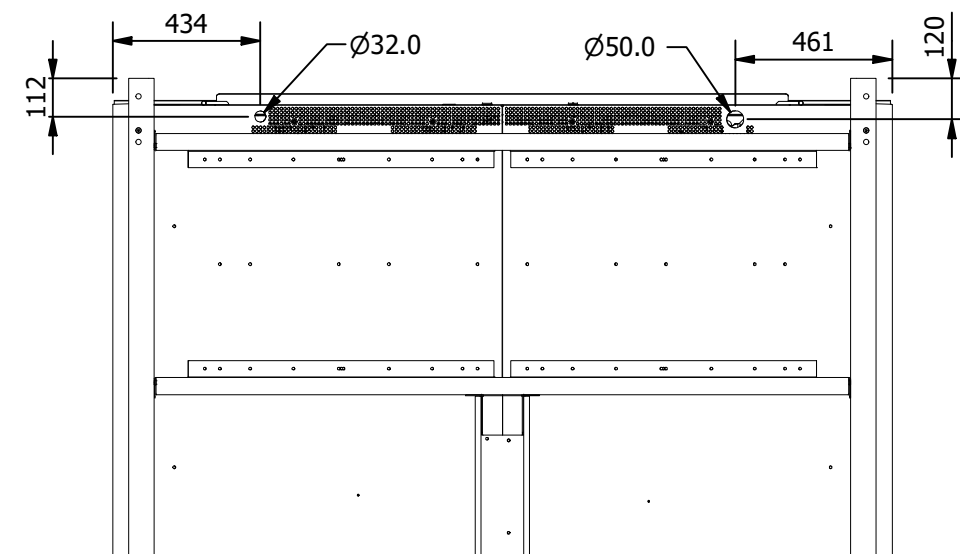
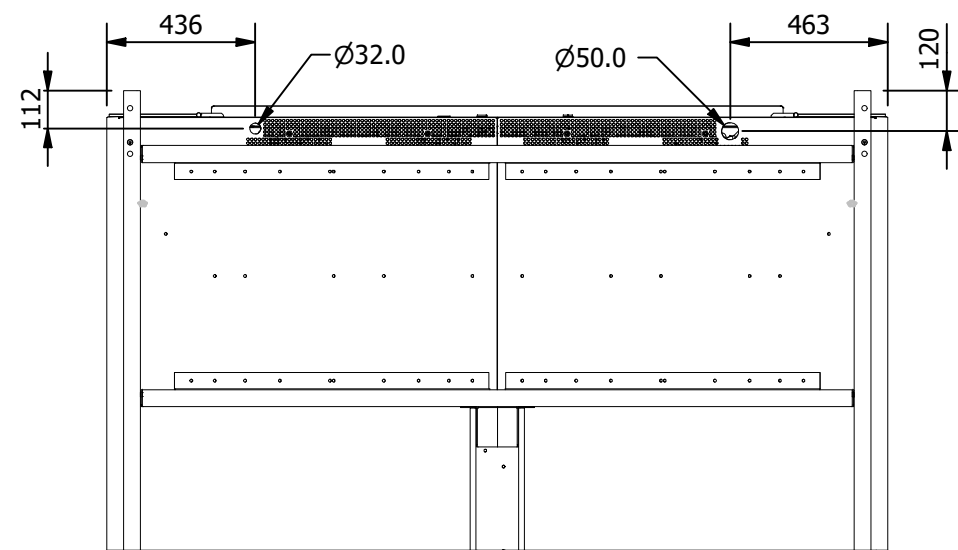
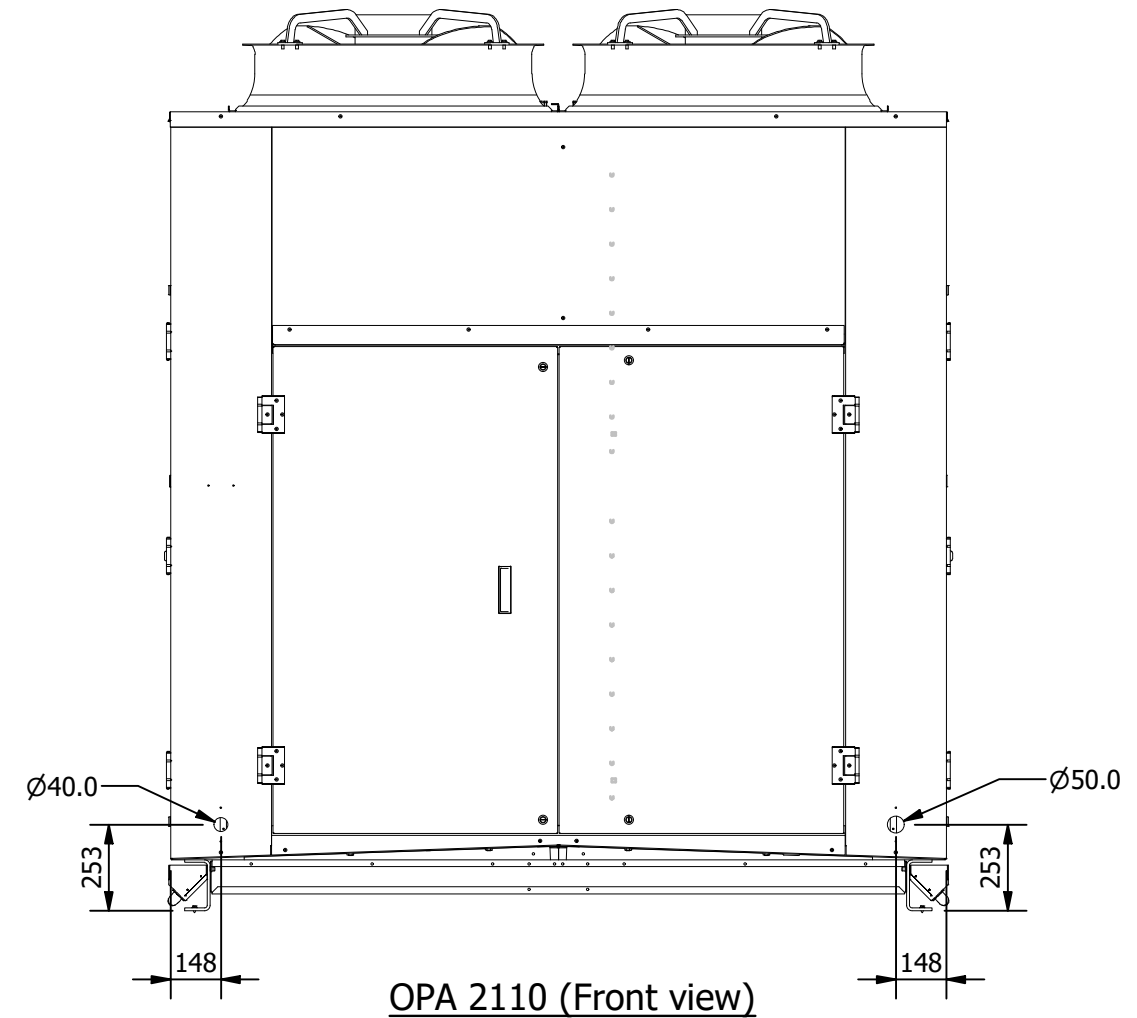
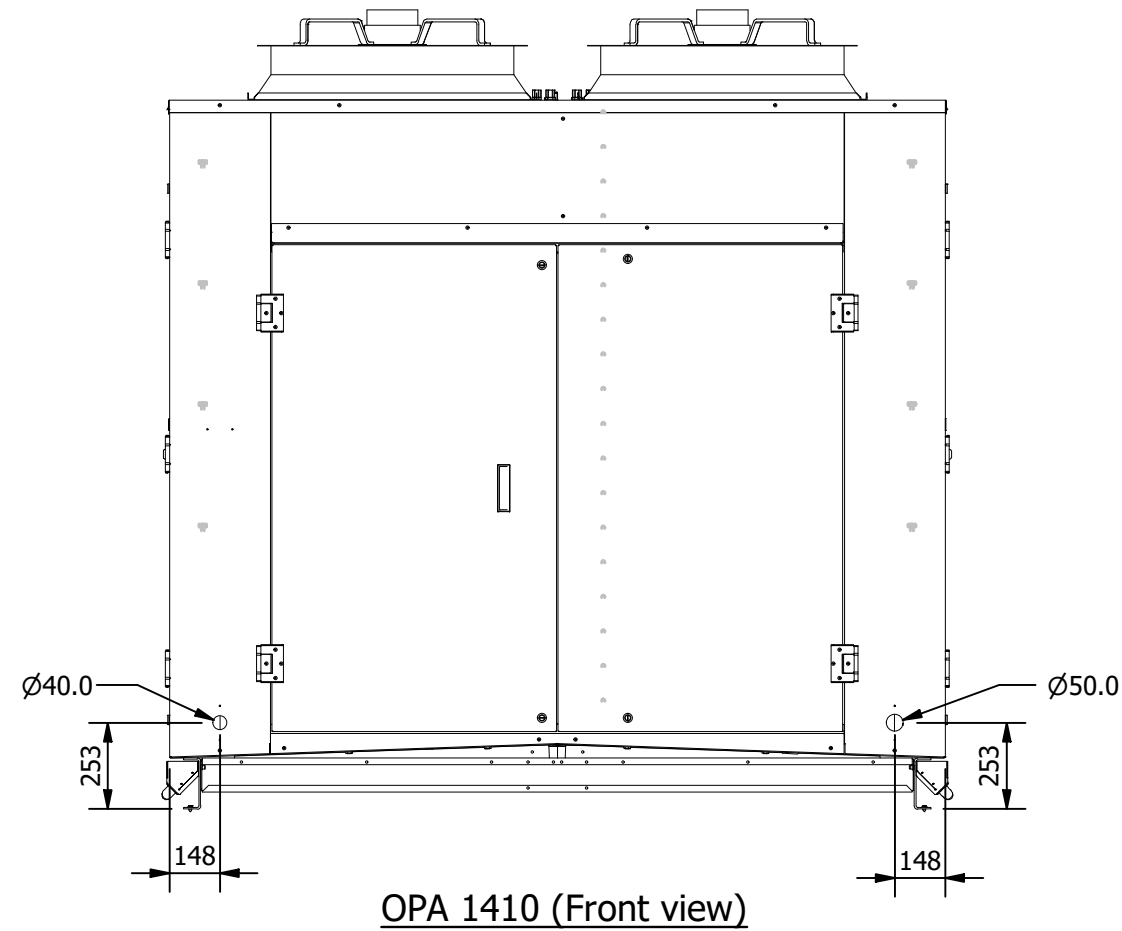



Tolerance +/- 5mm



REV	MODIFICATION	DATE	REF	ENG
-				

Interpret drawing as per GD&T standard: ISO 2768-1	Do not scale drawing	Unless specified all dimensions are in millimeters	PROPRIETARY & CONFIDENTIAL The information contained in this drawing is the sole proprietary of temperzone limited. Unauthorised copying, possession, discussion, publication & distribution prohibited	Fin:	Drawn: G.T.T.	Date: 25/01/2024	Title: OPA 1410 / 2110 Cable Entry Dimensions	Drawing No: OPA XL Cable Entry - Sheet 1 of 1	Rev:										
			<table border="0"> <tr> <td>TOLERANCES UNLESS STATED</td> <td></td> </tr> <tr> <td>LINEAR:</td> <td>ANGULAR:</td> </tr> <tr> <td>0 = ±0.5</td> <td>0 = ±1°</td> </tr> <tr> <td>0.0 = ±0.1</td> <td>0.0 = ±0.5°</td> </tr> <tr> <td>0.00 = ±0.05</td> <td>0.00 = ±0.1°</td> </tr> </table>	TOLERANCES UNLESS STATED		LINEAR:	ANGULAR:	0 = ±0.5	0 = ±1°	0.0 = ±0.1	0.0 = ±0.5°	0.00 = ±0.05	0.00 = ±0.1°	Mat:	Est Weight: N/A				
TOLERANCES UNLESS STATED																			
LINEAR:	ANGULAR:																		
0 = ±0.5	0 = ±1°																		
0.0 = ±0.1	0.0 = ±0.5°																		
0.00 = ±0.05	0.00 = ±0.1°																		