

SPECIFICATIONS



Model	OPA 970RLTB1FPQ Econex
Configuration	Horizontal Supply Air
Item No. (Standard / Opposite Hand)	866-097-701 / 866-097-710
Configuration	Downward Supply Air
Item No. (Standard / Opposite Hand)	866-097-723 / 866-097-732
Cooling capacity (net) ¹	88.9 kW
Cooling capacity range (gross)	15.4 ~ 99.2 kW
Heating capacity ¹	88.2 kW
Heating capacity range	14.3 ~ 96.1 kW
Electrical input - cooling	30.0 kW
Electrical input - heating	26.3 kW
EER / AEER (cooling) ¹	2.97 / 2.96
COP / ACOP (heating) ¹	3.35 / 3.34
Operating Range (outdoor ambient) - cooling	-10°C ~ 50°C
Operating Range (outdoor ambient) - heating	-10°C ~ 25°C
Controller	UC8 (x2)
Refrigerant	R32
Refrigerant Charge	10.5 kg/sys.
Minimum floor area (@2.4m below ceiling diffuser)	59 m ²
Compressor oil type	POE-46 (NXG5020 or equivalent)
Compressor type	inverter + fixed scroll
Power supply ²	3 ph. 400 V ac 50 Hz + N + E
Compressor (3ph.) run amps at rating cond.(inv./fixed)	19 A/ph.(x1) / 15.5 A/ph.(x1)
Compressor + VSD circuit breaker	32 A (x2)
Indoor fan motor size	EC Plug 500 dia. 3.65kW (x2)
Nominal air flow at rating conditions	4 800 l/s
Indoor fan motor (3ph.) - full load	4.5 A/ph. (x2)
Outdoor fan motor (3ph.) - full load	5.5 A/ph. (x2)
Outdoor fan - max. external static available@ 11 500 l/s	125 Pa
Control circuit breaker (internal)	2 A
Single phase socket circuit breaker	10 A
Running amps (total system) ¹	46 / 43 / 46 A
Max. running amps (total system)	64 / 63 / 64 A
RCD type recommended	type B, 30mA, 3 pole
Net weight	1270 kg
Shipping weight	1296 kg

Accessories:

TZT-100 Room temperature controller	201-000-792
Filters - rated EU4/G4 disposable	019-400-004 500x500x50 (x9) ³
Filters - rated EU4/G4 washable (NZ Only)	019-000-033 500x500x50 (x9) ³
Drain tundish (2 per set; 2 sets required)	060-000-653

Refer to temperzone for other options.

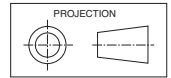
¹ Tested in accordance with AS/NZS 3823

23001

² Voltage range: 380-440V

³ Filter sizes are nominal; refer to Temperzone for actual measurements.

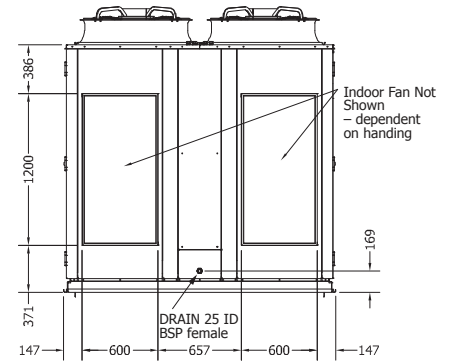
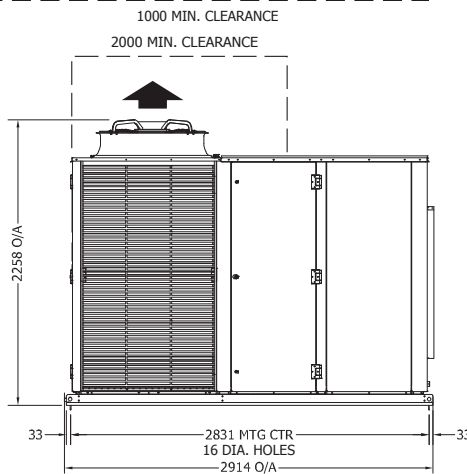
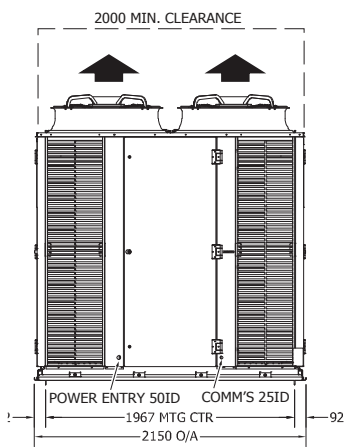
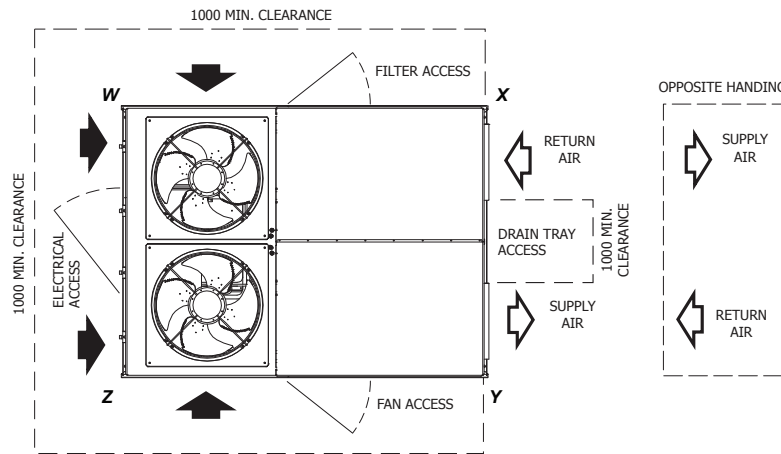
DIMENSIONS (mm)



OPA 970RLTBFPQ01 Standard Hand, Horizontal Supply

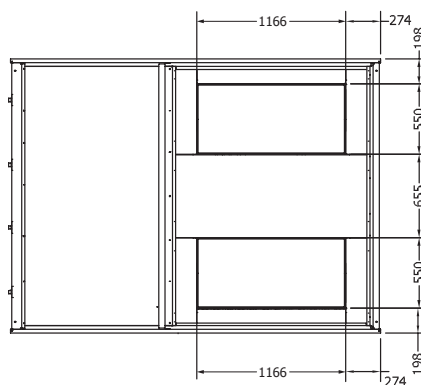
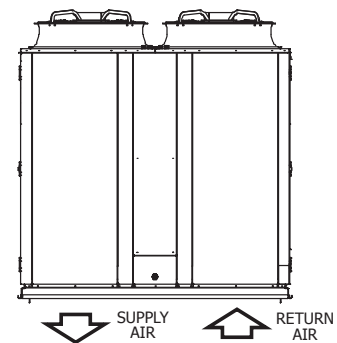
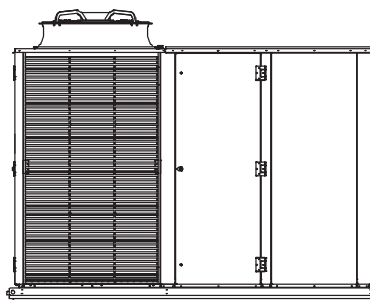
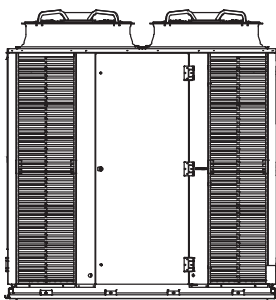
Not to Scale

POINT LOADS (kg)			
W	X	Y	Z
341	266	280	383



OPA 970RLTBFPQ23 Standard Hand, Downward Supply

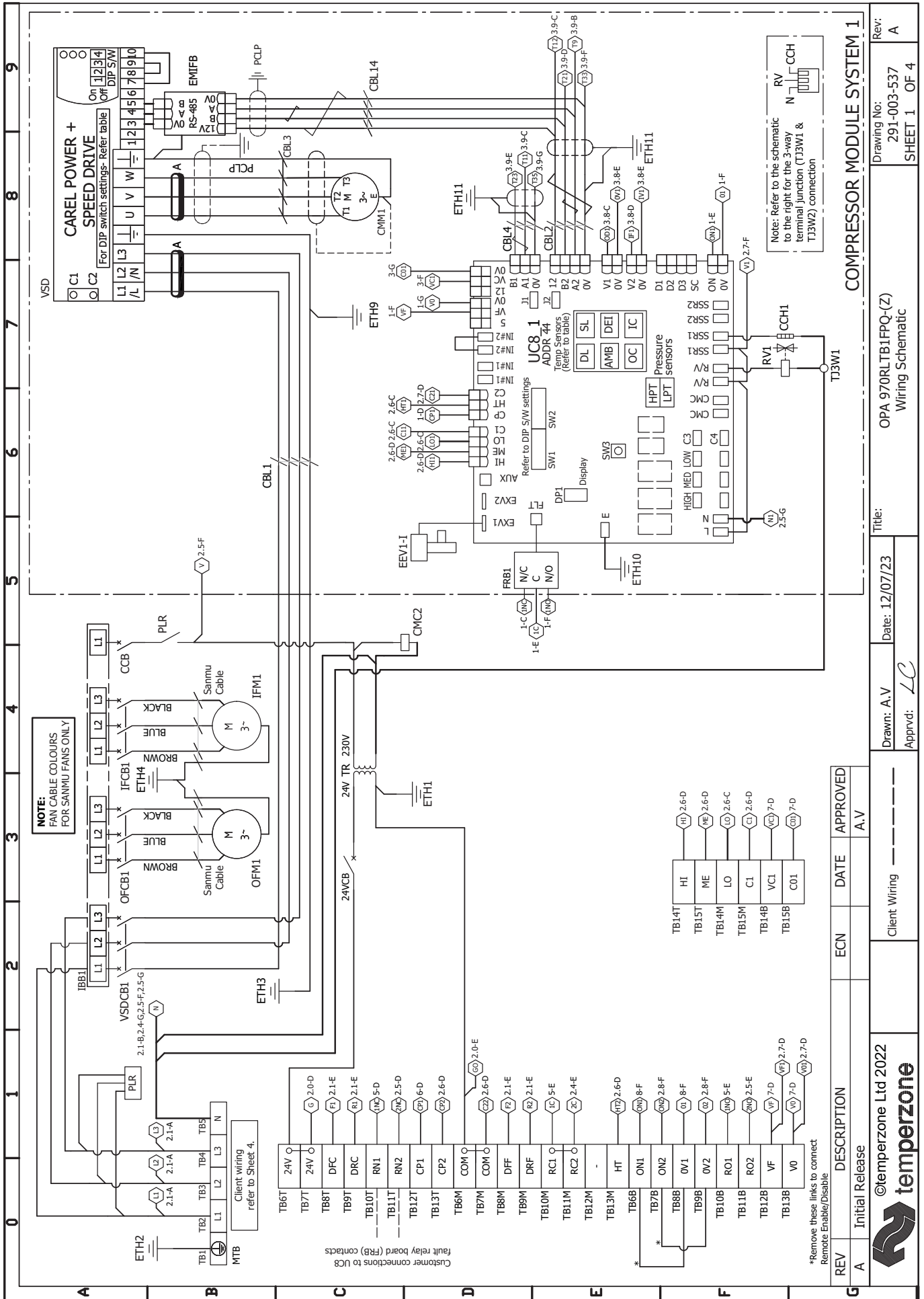
Clearances as above



NOTE

Specifications are subject to change without notice due to the manufacturer's ongoing research and development programme.

BOTTOM VIEW

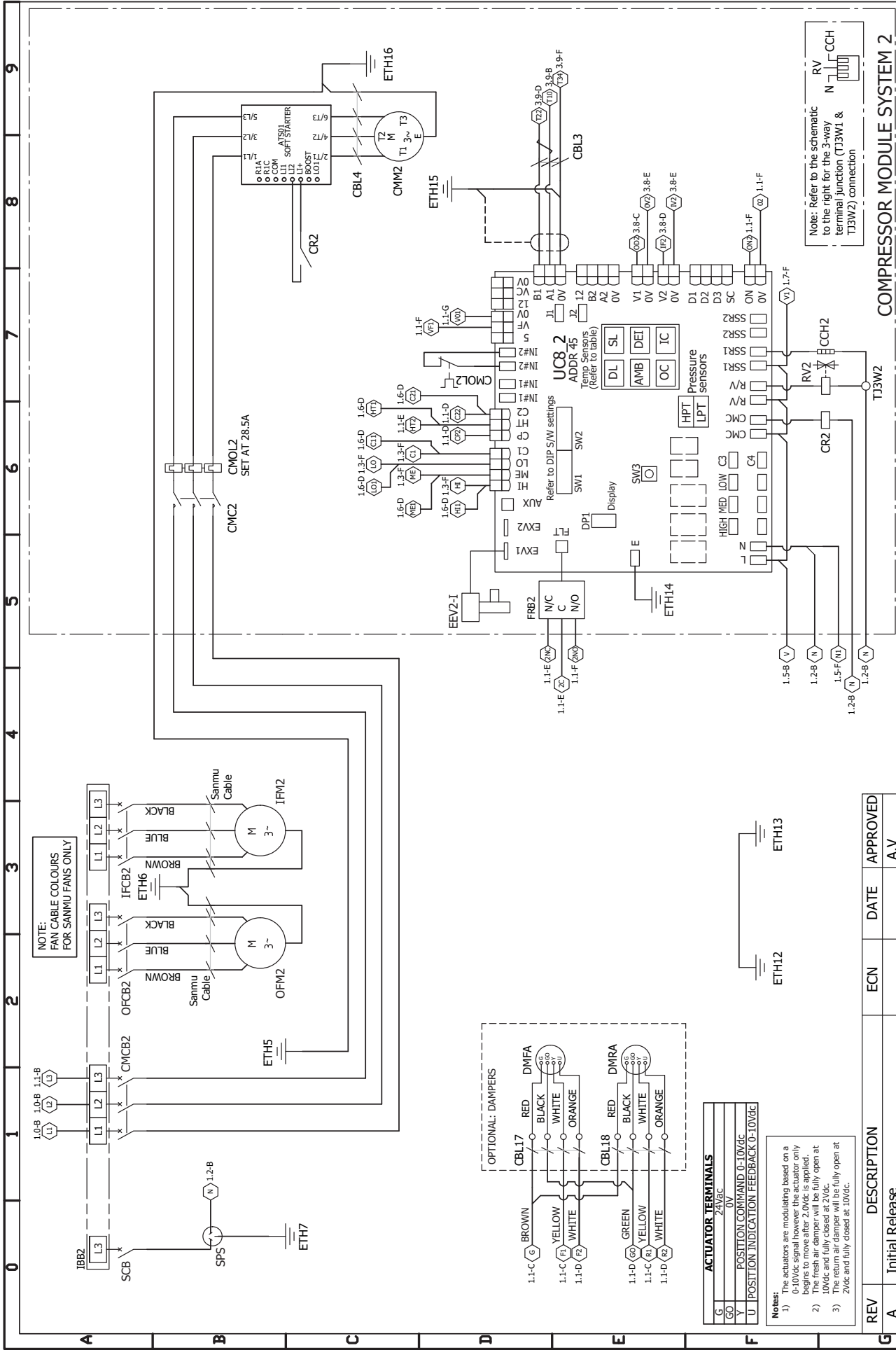


REV	DESCRIPTION	ECN	DATE	APPROVED
A	Initial Release			A.V

Drawn: A.V	Date: 12/07/23	Title: OPA 970RLTB1FPQ-(Z) Wiring Schematic
Approved: LC		

Drawing No: 291-003-537	Rev: A
SHEET 1	OF 4

COMPRESSOR MODULE SYSTEM 1



REV	DESCRIPTION	ECN	DATE	APPROVED
A	Initial Release			A.V

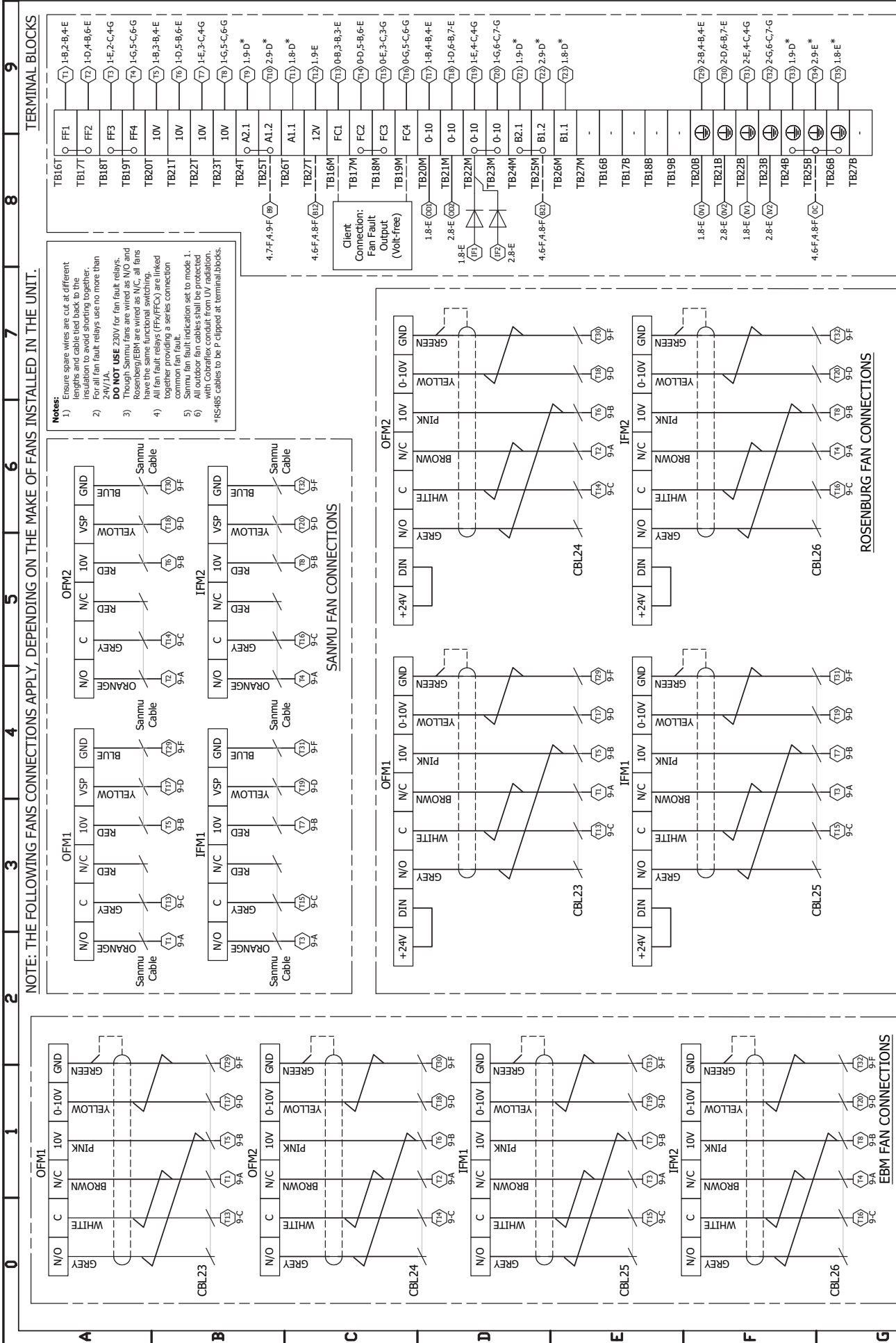
Client Wiring

©temperzone Ltd 2022

temperzone

Drawn: A.V
 Date: 12/07/23
 Title: OPA 970RLTB1FPQ-(Z) Wiring Schematic

Rev: 291-003-537
 SHEET 2 OF 4



0	1	2	3	4	5	6	7	8	9																																																																																																																																																																																																																																																																																																																																																																															
<p>A</p> <table border="1" style="width:100%; border-collapse: collapse;"> <tr><td>24VCB</td><td>24 Volt Circuit Breaker</td></tr> <tr><td>CBL</td><td>Cable Marker</td></tr> <tr><td>CCB</td><td>Control Circuit Breaker</td></tr> <tr><td>CCH</td><td>Crankcase Heater</td></tr> <tr><td>CMC</td><td>Compressor Motor Contactor</td></tr> <tr><td>CMCB</td><td>Compressor Motor Circuit Breaker</td></tr> <tr><td>CMG</td><td>Compressor Motor</td></tr> <tr><td>CMOL</td><td>Compressor Motor Overload</td></tr> <tr><td>CR</td><td>Control Relay</td></tr> <tr><td>DMF</td><td>Damper Motor Fresh Air</td></tr> <tr><td>DMR</td><td>Damper Motor Return Air</td></tr> <tr><td>EEV</td><td>Electronic Expansion Valve</td></tr> <tr><td>EMIFB</td><td>Electromagnetic Interference Filter Board</td></tr> <tr><td>ETH</td><td>Earth</td></tr> <tr><td>FRB</td><td>Fault Relay Board</td></tr> <tr><td>IBB</td><td>Insulated Bus Bar</td></tr> <tr><td>IFCB</td><td>Indoor Fan Circuit Breaker</td></tr> <tr><td>IFM</td><td>Indoor Fan Motor</td></tr> <tr><td>MTB</td><td>Main Terminal Block</td></tr> <tr><td>OFCB</td><td>Outdoor Fan Circuit Breaker</td></tr> <tr><td>OFM</td><td>Outdoor Fan Motor</td></tr> <tr><td>PCLP</td><td>P Clip</td></tr> <tr><td>PLR</td><td>Phase Loss Relay</td></tr> <tr><td>RV</td><td>Reversing Valve</td></tr> <tr><td>SCB</td><td>Socket Circuit Breaker</td></tr> <tr><td>SPS</td><td>Single Phase Socket</td></tr> <tr><td>TBXT</td><td>Terminal Block (number) Top</td></tr> <tr><td>TBXM</td><td>Terminal Block (number) Middle</td></tr> <tr><td>TBXB</td><td>Terminal Block (number) Bottom</td></tr> <tr><td>TJ3W</td><td>Terminal Junction 3 Way</td></tr> <tr><td>TR</td><td>Transformer</td></tr> <tr><td>UC8</td><td>Unit Controller 8</td></tr> <tr><td>VSD</td><td>Variable Speed Drive</td></tr> <tr><td>VSDCB</td><td>Variable Speed Drive Circuit Breaker</td></tr> </table>	24VCB	24 Volt Circuit Breaker	CBL	Cable Marker	CCB	Control Circuit Breaker	CCH	Crankcase Heater	CMC	Compressor Motor Contactor	CMCB	Compressor Motor Circuit Breaker	CMG	Compressor Motor	CMOL	Compressor Motor Overload	CR	Control Relay	DMF	Damper Motor Fresh Air	DMR	Damper Motor Return Air	EEV	Electronic Expansion Valve	EMIFB	Electromagnetic Interference Filter Board	ETH	Earth	FRB	Fault Relay Board	IBB	Insulated Bus Bar	IFCB	Indoor Fan Circuit Breaker	IFM	Indoor Fan Motor	MTB	Main Terminal Block	OFCB	Outdoor Fan Circuit Breaker	OFM	Outdoor Fan Motor	PCLP	P Clip	PLR	Phase Loss Relay	RV	Reversing Valve	SCB	Socket Circuit Breaker	SPS	Single Phase Socket	TBXT	Terminal Block (number) Top	TBXM	Terminal Block (number) Middle	TBXB	Terminal Block (number) Bottom	TJ3W	Terminal Junction 3 Way	TR	Transformer	UC8	Unit Controller 8	VSD	Variable Speed Drive	VSDCB	Variable Speed Drive Circuit Breaker	<p>B</p> <table border="1" style="width:100%; border-collapse: collapse;"> <tr><td>0V</td><td>UC8 Enable link Common</td></tr> <tr><td>0-10</td><td>Indoor / Outdoor Fan 0-10VDC analogue speed Control</td></tr> <tr><td>10V</td><td>Indoor / Outdoor Fan 10VDC Supply Output</td></tr> <tr><td>12V</td><td>RS485 12V Supply Output</td></tr> <tr><td>24V</td><td>24VAC Internal Supply</td></tr> <tr><td>Ax.x</td><td>RS485 A (+) Communication Signal</td></tr> <tr><td>Bx.x</td><td>RS485 B (-) Communication Signal</td></tr> <tr><td>CD1</td><td>Compressor Analogue Speed Control Common</td></tr> <tr><td>C1</td><td>Indoor Fan Fixed Three speed Control Common</td></tr> <tr><td>COM</td><td>24VAC internal Supply Common</td></tr> <tr><td>CP</td><td>Compressor ON / OFF Signal</td></tr> <tr><td>DFC</td><td>Damper Motor Fresh Air 0-10Vdc Command</td></tr> <tr><td>DFE</td><td>Damper Motor Fresh Air 0-10Vdc Feedback</td></tr> <tr><td>DRC</td><td>Damper Motor Return Air 0-10Vdc Command</td></tr> <tr><td>DRF</td><td>Damper Motor Return Air 0-10Vdc Feedback</td></tr> <tr><td>FC</td><td>Fan Fault Relay Output Common</td></tr> <tr><td>FF</td><td>Fan Fault Relay Output Contact Signal</td></tr> <tr><td>HI</td><td>Indoor Fan Fixed High speed Control Signal</td></tr> <tr><td>HT</td><td>Cooling / Heating Mode Selection Signal</td></tr> <tr><td>LO</td><td>Indoor Fan Fixed Low speed Control Signal</td></tr> <tr><td>ME</td><td>Indoor Fan Fixed Medium speed Control Signal</td></tr> <tr><td>ON</td><td>UC8 Enable link Contact</td></tr> <tr><td>RC</td><td>UC8 Fault Relay Output Common Contact</td></tr> <tr><td>RN</td><td>UC8 Fault Relay Output Normally Closed Contact</td></tr> <tr><td>RO</td><td>UC8 Fault Relay Output Normally Open Contact</td></tr> <tr><td>VC</td><td>Compressor 0-10VDC Analogue Speed Control Signal</td></tr> <tr><td>VF</td><td>Indoor Fan 0-10Vdc Analogue Speed Control Signal</td></tr> <tr><td>V0</td><td>Indoor Fan Analogue Speed Control Common</td></tr> </table>	0V	UC8 Enable link Common	0-10	Indoor / Outdoor Fan 0-10VDC analogue speed Control	10V	Indoor / Outdoor Fan 10VDC Supply Output	12V	RS485 12V Supply Output	24V	24VAC Internal Supply	Ax.x	RS485 A (+) Communication Signal	Bx.x	RS485 B (-) Communication Signal	CD1	Compressor Analogue Speed Control Common	C1	Indoor Fan Fixed Three speed Control Common	COM	24VAC internal Supply Common	CP	Compressor ON / OFF Signal	DFC	Damper Motor Fresh Air 0-10Vdc Command	DFE	Damper Motor Fresh Air 0-10Vdc Feedback	DRC	Damper Motor Return Air 0-10Vdc Command	DRF	Damper Motor Return Air 0-10Vdc Feedback	FC	Fan Fault Relay Output Common	FF	Fan Fault Relay Output Contact Signal	HI	Indoor Fan Fixed High speed Control Signal	HT	Cooling / Heating Mode Selection Signal	LO	Indoor Fan Fixed Low speed Control Signal	ME	Indoor Fan Fixed Medium speed Control Signal	ON	UC8 Enable link Contact	RC	UC8 Fault Relay Output Common Contact	RN	UC8 Fault Relay Output Normally Closed Contact	RO	UC8 Fault Relay Output Normally Open Contact	VC	Compressor 0-10VDC Analogue Speed Control Signal	VF	Indoor Fan 0-10Vdc Analogue Speed Control Signal	V0	Indoor Fan Analogue Speed Control Common	<p>C</p> <table border="1" style="width:100%; border-collapse: collapse;"> <tr><td>0V</td><td>UC8 Enable link Common</td></tr> <tr><td>0-10</td><td>Indoor / Outdoor Fan 0-10VDC analogue speed Control</td></tr> <tr><td>10V</td><td>Indoor / Outdoor Fan 10VDC Supply Output</td></tr> <tr><td>12V</td><td>RS485 12V Supply Output</td></tr> <tr><td>24V</td><td>24VAC Internal Supply</td></tr> <tr><td>Ax.x</td><td>RS485 A (+) Communication Signal</td></tr> <tr><td>Bx.x</td><td>RS485 B (-) Communication Signal</td></tr> <tr><td>CD1</td><td>Compressor Analogue Speed Control Common</td></tr> <tr><td>C1</td><td>Indoor Fan Fixed Three speed Control Common</td></tr> <tr><td>COM</td><td>24VAC internal Supply Common</td></tr> <tr><td>CP</td><td>Compressor ON / OFF Signal</td></tr> <tr><td>DFC</td><td>Damper Motor Fresh Air 0-10Vdc Command</td></tr> <tr><td>DFE</td><td>Damper Motor Fresh Air 0-10Vdc Feedback</td></tr> <tr><td>DRC</td><td>Damper Motor Return Air 0-10Vdc Command</td></tr> <tr><td>DRF</td><td>Damper Motor Return Air 0-10Vdc Feedback</td></tr> <tr><td>FC</td><td>Fan Fault Relay Output Common</td></tr> <tr><td>FF</td><td>Fan Fault Relay Output Contact Signal</td></tr> <tr><td>HI</td><td>Indoor Fan Fixed High speed Control Signal</td></tr> <tr><td>HT</td><td>Cooling / Heating Mode Selection Signal</td></tr> <tr><td>LO</td><td>Indoor Fan Fixed Low speed Control Signal</td></tr> <tr><td>ME</td><td>Indoor Fan Fixed Medium speed Control Signal</td></tr> <tr><td>ON</td><td>UC8 Enable link Contact</td></tr> <tr><td>RC</td><td>UC8 Fault Relay Output Common Contact</td></tr> <tr><td>RN</td><td>UC8 Fault Relay Output Normally Closed Contact</td></tr> <tr><td>RO</td><td>UC8 Fault Relay Output Normally Open Contact</td></tr> <tr><td>VC</td><td>Compressor 0-10VDC Analogue Speed Control Signal</td></tr> <tr><td>VF</td><td>Indoor Fan 0-10Vdc Analogue Speed Control Signal</td></tr> <tr><td>V0</td><td>Indoor Fan Analogue Speed Control Common</td></tr> </table>	0V	UC8 Enable link Common	0-10	Indoor / Outdoor Fan 0-10VDC analogue speed Control	10V	Indoor / Outdoor Fan 10VDC Supply Output	12V	RS485 12V Supply Output	24V	24VAC Internal Supply	Ax.x	RS485 A (+) Communication Signal	Bx.x	RS485 B (-) Communication Signal	CD1	Compressor Analogue Speed Control Common	C1	Indoor Fan Fixed Three speed Control Common	COM	24VAC internal Supply Common	CP	Compressor ON / OFF Signal	DFC	Damper Motor Fresh Air 0-10Vdc Command	DFE	Damper Motor Fresh Air 0-10Vdc Feedback	DRC	Damper Motor Return Air 0-10Vdc Command	DRF	Damper Motor Return Air 0-10Vdc Feedback	FC	Fan Fault Relay Output Common	FF	Fan Fault Relay Output Contact Signal	HI	Indoor Fan Fixed High speed Control Signal	HT	Cooling / Heating Mode Selection Signal	LO	Indoor Fan Fixed Low speed Control Signal	ME	Indoor Fan Fixed Medium speed Control Signal	ON	UC8 Enable link Contact	RC	UC8 Fault Relay Output Common Contact	RN	UC8 Fault Relay Output Normally Closed Contact	RO	UC8 Fault Relay Output Normally Open Contact	VC	Compressor 0-10VDC Analogue Speed Control Signal	VF	Indoor Fan 0-10Vdc Analogue Speed Control Signal	V0	Indoor Fan Analogue Speed Control Common	<p>D</p> <table border="1" style="width:100%; border-collapse: collapse;"> <tr><td>0V</td><td>UC8 Enable link Common</td></tr> <tr><td>0-10</td><td>Indoor / Outdoor Fan 0-10VDC analogue speed Control</td></tr> <tr><td>10V</td><td>Indoor / Outdoor Fan 10VDC Supply Output</td></tr> <tr><td>12V</td><td>RS485 12V Supply Output</td></tr> <tr><td>24V</td><td>24VAC Internal Supply</td></tr> <tr><td>Ax.x</td><td>RS485 A (+) Communication Signal</td></tr> <tr><td>Bx.x</td><td>RS485 B (-) Communication Signal</td></tr> <tr><td>CD1</td><td>Compressor Analogue Speed Control Common</td></tr> <tr><td>C1</td><td>Indoor Fan Fixed Three speed Control Common</td></tr> <tr><td>COM</td><td>24VAC internal Supply Common</td></tr> <tr><td>CP</td><td>Compressor ON / OFF Signal</td></tr> <tr><td>DFC</td><td>Damper Motor Fresh Air 0-10Vdc Command</td></tr> <tr><td>DFE</td><td>Damper Motor Fresh Air 0-10Vdc Feedback</td></tr> <tr><td>DRC</td><td>Damper Motor Return Air 0-10Vdc Command</td></tr> <tr><td>DRF</td><td>Damper Motor Return Air 0-10Vdc Feedback</td></tr> <tr><td>FC</td><td>Fan Fault Relay Output Common</td></tr> <tr><td>FF</td><td>Fan Fault Relay Output Contact Signal</td></tr> <tr><td>HI</td><td>Indoor Fan Fixed High speed Control Signal</td></tr> <tr><td>HT</td><td>Cooling / Heating Mode Selection Signal</td></tr> <tr><td>LO</td><td>Indoor Fan Fixed Low speed Control Signal</td></tr> <tr><td>ME</td><td>Indoor Fan Fixed Medium speed Control Signal</td></tr> <tr><td>ON</td><td>UC8 Enable link Contact</td></tr> <tr><td>RC</td><td>UC8 Fault Relay Output Common Contact</td></tr> <tr><td>RN</td><td>UC8 Fault Relay Output Normally Closed Contact</td></tr> <tr><td>RO</td><td>UC8 Fault Relay Output Normally Open Contact</td></tr> <tr><td>VC</td><td>Compressor 0-10VDC Analogue Speed Control Signal</td></tr> <tr><td>VF</td><td>Indoor Fan 0-10Vdc Analogue Speed Control Signal</td></tr> <tr><td>V0</td><td>Indoor Fan Analogue Speed Control Common</td></tr> </table>	0V	UC8 Enable link Common	0-10	Indoor / Outdoor Fan 0-10VDC analogue speed Control	10V	Indoor / Outdoor Fan 10VDC Supply Output	12V	RS485 12V Supply Output	24V	24VAC Internal Supply	Ax.x	RS485 A (+) Communication Signal	Bx.x	RS485 B (-) Communication Signal	CD1	Compressor Analogue Speed Control Common	C1	Indoor Fan Fixed Three speed Control Common	COM	24VAC internal Supply Common	CP	Compressor ON / OFF Signal	DFC	Damper Motor Fresh Air 0-10Vdc Command	DFE	Damper Motor Fresh Air 0-10Vdc Feedback	DRC	Damper Motor Return Air 0-10Vdc Command	DRF	Damper Motor Return Air 0-10Vdc Feedback	FC	Fan Fault Relay Output Common	FF	Fan Fault Relay Output Contact Signal	HI	Indoor Fan Fixed High speed Control Signal	HT	Cooling / Heating Mode Selection Signal	LO	Indoor Fan Fixed Low speed Control Signal	ME	Indoor Fan Fixed Medium speed Control Signal	ON	UC8 Enable link Contact	RC	UC8 Fault Relay Output Common Contact	RN	UC8 Fault Relay Output Normally Closed Contact	RO	UC8 Fault Relay Output Normally Open Contact	VC	Compressor 0-10VDC Analogue Speed Control Signal	VF	Indoor Fan 0-10Vdc Analogue Speed Control Signal	V0	Indoor Fan Analogue Speed Control Common	<p>E</p> <table border="1" style="width:100%; border-collapse: collapse;"> <tr><td>0V</td><td>UC8 Enable link Common</td></tr> <tr><td>0-10</td><td>Indoor / Outdoor Fan 0-10VDC analogue speed Control</td></tr> <tr><td>10V</td><td>Indoor / Outdoor Fan 10VDC Supply Output</td></tr> <tr><td>12V</td><td>RS485 12V Supply Output</td></tr> <tr><td>24V</td><td>24VAC Internal Supply</td></tr> <tr><td>Ax.x</td><td>RS485 A (+) Communication Signal</td></tr> <tr><td>Bx.x</td><td>RS485 B (-) Communication Signal</td></tr> <tr><td>CD1</td><td>Compressor Analogue Speed Control Common</td></tr> <tr><td>C1</td><td>Indoor Fan Fixed Three speed Control Common</td></tr> <tr><td>COM</td><td>24VAC internal Supply Common</td></tr> <tr><td>CP</td><td>Compressor ON / OFF Signal</td></tr> <tr><td>DFC</td><td>Damper Motor Fresh Air 0-10Vdc Command</td></tr> <tr><td>DFE</td><td>Damper Motor Fresh Air 0-10Vdc Feedback</td></tr> <tr><td>DRC</td><td>Damper Motor Return Air 0-10Vdc Command</td></tr> <tr><td>DRF</td><td>Damper Motor Return Air 0-10Vdc Feedback</td></tr> <tr><td>FC</td><td>Fan Fault Relay Output Common</td></tr> <tr><td>FF</td><td>Fan Fault Relay Output Contact Signal</td></tr> <tr><td>HI</td><td>Indoor Fan Fixed High speed Control Signal</td></tr> <tr><td>HT</td><td>Cooling / Heating Mode Selection Signal</td></tr> <tr><td>LO</td><td>Indoor Fan Fixed Low speed Control Signal</td></tr> <tr><td>ME</td><td>Indoor Fan Fixed Medium speed Control Signal</td></tr> <tr><td>ON</td><td>UC8 Enable link Contact</td></tr> <tr><td>RC</td><td>UC8 Fault Relay Output Common Contact</td></tr> <tr><td>RN</td><td>UC8 Fault Relay Output Normally Closed Contact</td></tr> <tr><td>RO</td><td>UC8 Fault Relay Output Normally Open Contact</td></tr> <tr><td>VC</td><td>Compressor 0-10VDC Analogue Speed Control Signal</td></tr> <tr><td>VF</td><td>Indoor Fan 0-10Vdc Analogue Speed Control Signal</td></tr> <tr><td>V0</td><td>Indoor Fan Analogue Speed Control Common</td></tr> </table>	0V	UC8 Enable link Common	0-10	Indoor / Outdoor Fan 0-10VDC analogue speed Control	10V	Indoor / Outdoor Fan 10VDC Supply Output	12V	RS485 12V Supply Output	24V	24VAC Internal Supply	Ax.x	RS485 A (+) Communication Signal	Bx.x	RS485 B (-) Communication Signal	CD1	Compressor Analogue Speed Control Common	C1	Indoor Fan Fixed Three speed Control Common	COM	24VAC internal Supply Common	CP	Compressor ON / OFF Signal	DFC	Damper Motor Fresh Air 0-10Vdc Command	DFE	Damper Motor Fresh Air 0-10Vdc Feedback	DRC	Damper Motor Return Air 0-10Vdc Command	DRF	Damper Motor Return Air 0-10Vdc Feedback	FC	Fan Fault Relay Output Common	FF	Fan Fault Relay Output Contact Signal	HI	Indoor Fan Fixed High speed Control Signal	HT	Cooling / Heating Mode Selection Signal	LO	Indoor Fan Fixed Low speed Control Signal	ME	Indoor Fan Fixed Medium speed Control Signal	ON	UC8 Enable link Contact	RC	UC8 Fault Relay Output Common Contact	RN	UC8 Fault Relay Output Normally Closed Contact	RO	UC8 Fault Relay Output Normally Open Contact	VC	Compressor 0-10VDC Analogue Speed Control Signal	VF	Indoor Fan 0-10Vdc Analogue Speed Control Signal	V0	Indoor Fan Analogue Speed Control Common	<p>F</p> <table border="1" style="width:100%; border-collapse: collapse;"> <tr><td>0V</td><td>UC8 Enable link Common</td></tr> <tr><td>0-10</td><td>Indoor / Outdoor Fan 0-10VDC analogue speed Control</td></tr> <tr><td>10V</td><td>Indoor / Outdoor Fan 10VDC Supply Output</td></tr> <tr><td>12V</td><td>RS485 12V Supply Output</td></tr> <tr><td>24V</td><td>24VAC Internal Supply</td></tr> <tr><td>Ax.x</td><td>RS485 A (+) Communication Signal</td></tr> <tr><td>Bx.x</td><td>RS485 B (-) Communication Signal</td></tr> <tr><td>CD1</td><td>Compressor Analogue Speed Control Common</td></tr> <tr><td>C1</td><td>Indoor Fan Fixed Three speed Control Common</td></tr> <tr><td>COM</td><td>24VAC internal Supply Common</td></tr> <tr><td>CP</td><td>Compressor ON / OFF Signal</td></tr> <tr><td>DFC</td><td>Damper Motor Fresh Air 0-10Vdc Command</td></tr> <tr><td>DFE</td><td>Damper Motor Fresh Air 0-10Vdc Feedback</td></tr> <tr><td>DRC</td><td>Damper Motor Return Air 0-10Vdc Command</td></tr> <tr><td>DRF</td><td>Damper Motor Return Air 0-10Vdc Feedback</td></tr> <tr><td>FC</td><td>Fan Fault Relay Output Common</td></tr> <tr><td>FF</td><td>Fan Fault Relay Output Contact Signal</td></tr> <tr><td>HI</td><td>Indoor Fan Fixed High speed Control Signal</td></tr> <tr><td>HT</td><td>Cooling / Heating Mode Selection Signal</td></tr> <tr><td>LO</td><td>Indoor Fan Fixed Low speed Control Signal</td></tr> <tr><td>ME</td><td>Indoor Fan Fixed Medium speed Control Signal</td></tr> <tr><td>ON</td><td>UC8 Enable link Contact</td></tr> <tr><td>RC</td><td>UC8 Fault Relay Output Common Contact</td></tr> <tr><td>RN</td><td>UC8 Fault Relay Output Normally Closed Contact</td></tr> <tr><td>RO</td><td>UC8 Fault Relay Output Normally Open Contact</td></tr> <tr><td>VC</td><td>Compressor 0-10VDC Analogue Speed Control Signal</td></tr> <tr><td>VF</td><td>Indoor Fan 0-10Vdc Analogue Speed Control Signal</td></tr> <tr><td>V0</td><td>Indoor Fan Analogue Speed Control Common</td></tr> </table>	0V	UC8 Enable link Common	0-10	Indoor / Outdoor Fan 0-10VDC analogue speed Control	10V	Indoor / Outdoor Fan 10VDC Supply Output	12V	RS485 12V Supply Output	24V	24VAC Internal Supply	Ax.x	RS485 A (+) Communication Signal	Bx.x	RS485 B (-) Communication Signal	CD1	Compressor Analogue Speed Control Common	C1	Indoor Fan Fixed Three speed Control Common	COM	24VAC internal Supply Common	CP	Compressor ON / OFF Signal	DFC	Damper Motor Fresh Air 0-10Vdc Command	DFE	Damper Motor Fresh Air 0-10Vdc Feedback	DRC	Damper Motor Return Air 0-10Vdc Command	DRF	Damper Motor Return Air 0-10Vdc Feedback	FC	Fan Fault Relay Output Common	FF	Fan Fault Relay Output Contact Signal	HI	Indoor Fan Fixed High speed Control Signal	HT	Cooling / Heating Mode Selection Signal	LO	Indoor Fan Fixed Low speed Control Signal	ME	Indoor Fan Fixed Medium speed Control Signal	ON	UC8 Enable link Contact	RC	UC8 Fault Relay Output Common Contact	RN	UC8 Fault Relay Output Normally Closed Contact	RO	UC8 Fault Relay Output Normally Open Contact	VC	Compressor 0-10VDC Analogue Speed Control Signal	VF	Indoor Fan 0-10Vdc Analogue Speed Control Signal	V0	Indoor Fan Analogue Speed Control Common	<p>G</p> <table border="1" style="width:100%; border-collapse: collapse;"> <tr><td>REV</td><td>DESCRIPTION</td><td>ECN</td><td>DATE</td><td>APPROVED</td></tr> <tr><td>A</td><td>Initial Release</td><td></td><td></td><td>A.V</td></tr> </table>	REV	DESCRIPTION	ECN	DATE	APPROVED	A	Initial Release			A.V	<p>H</p> <table border="1" style="width:100%; border-collapse: collapse;"> <tr><td>Drawn: A.V</td><td>Date: 12/07/23</td></tr> <tr><td>Approved: LC</td><td></td></tr> </table>	Drawn: A.V	Date: 12/07/23	Approved: LC		<p>I</p> <table border="1" style="width:100%; border-collapse: collapse;"> <tr><td colspan="2">Title: OPA 970RLTB1FPQ(-Z) Wiring Schematic</td></tr> <tr><td>Drawing No: 291-003-537</td><td>Rev: A</td></tr> <tr><td colspan="2" style="text-align: center;">SHEET 4 OF 4</td></tr> </table>	Title: OPA 970RLTB1FPQ(-Z) Wiring Schematic		Drawing No: 291-003-537	Rev: A	SHEET 4 OF 4	
24VCB	24 Volt Circuit Breaker																																																																																																																																																																																																																																																																																																																																																																																							
CBL	Cable Marker																																																																																																																																																																																																																																																																																																																																																																																							
CCB	Control Circuit Breaker																																																																																																																																																																																																																																																																																																																																																																																							
CCH	Crankcase Heater																																																																																																																																																																																																																																																																																																																																																																																							
CMC	Compressor Motor Contactor																																																																																																																																																																																																																																																																																																																																																																																							
CMCB	Compressor Motor Circuit Breaker																																																																																																																																																																																																																																																																																																																																																																																							
CMG	Compressor Motor																																																																																																																																																																																																																																																																																																																																																																																							
CMOL	Compressor Motor Overload																																																																																																																																																																																																																																																																																																																																																																																							
CR	Control Relay																																																																																																																																																																																																																																																																																																																																																																																							
DMF	Damper Motor Fresh Air																																																																																																																																																																																																																																																																																																																																																																																							
DMR	Damper Motor Return Air																																																																																																																																																																																																																																																																																																																																																																																							
EEV	Electronic Expansion Valve																																																																																																																																																																																																																																																																																																																																																																																							
EMIFB	Electromagnetic Interference Filter Board																																																																																																																																																																																																																																																																																																																																																																																							
ETH	Earth																																																																																																																																																																																																																																																																																																																																																																																							
FRB	Fault Relay Board																																																																																																																																																																																																																																																																																																																																																																																							
IBB	Insulated Bus Bar																																																																																																																																																																																																																																																																																																																																																																																							
IFCB	Indoor Fan Circuit Breaker																																																																																																																																																																																																																																																																																																																																																																																							
IFM	Indoor Fan Motor																																																																																																																																																																																																																																																																																																																																																																																							
MTB	Main Terminal Block																																																																																																																																																																																																																																																																																																																																																																																							
OFCB	Outdoor Fan Circuit Breaker																																																																																																																																																																																																																																																																																																																																																																																							
OFM	Outdoor Fan Motor																																																																																																																																																																																																																																																																																																																																																																																							
PCLP	P Clip																																																																																																																																																																																																																																																																																																																																																																																							
PLR	Phase Loss Relay																																																																																																																																																																																																																																																																																																																																																																																							
RV	Reversing Valve																																																																																																																																																																																																																																																																																																																																																																																							
SCB	Socket Circuit Breaker																																																																																																																																																																																																																																																																																																																																																																																							
SPS	Single Phase Socket																																																																																																																																																																																																																																																																																																																																																																																							
TBXT	Terminal Block (number) Top																																																																																																																																																																																																																																																																																																																																																																																							
TBXM	Terminal Block (number) Middle																																																																																																																																																																																																																																																																																																																																																																																							
TBXB	Terminal Block (number) Bottom																																																																																																																																																																																																																																																																																																																																																																																							
TJ3W	Terminal Junction 3 Way																																																																																																																																																																																																																																																																																																																																																																																							
TR	Transformer																																																																																																																																																																																																																																																																																																																																																																																							
UC8	Unit Controller 8																																																																																																																																																																																																																																																																																																																																																																																							
VSD	Variable Speed Drive																																																																																																																																																																																																																																																																																																																																																																																							
VSDCB	Variable Speed Drive Circuit Breaker																																																																																																																																																																																																																																																																																																																																																																																							
0V	UC8 Enable link Common																																																																																																																																																																																																																																																																																																																																																																																							
0-10	Indoor / Outdoor Fan 0-10VDC analogue speed Control																																																																																																																																																																																																																																																																																																																																																																																							
10V	Indoor / Outdoor Fan 10VDC Supply Output																																																																																																																																																																																																																																																																																																																																																																																							
12V	RS485 12V Supply Output																																																																																																																																																																																																																																																																																																																																																																																							
24V	24VAC Internal Supply																																																																																																																																																																																																																																																																																																																																																																																							
Ax.x	RS485 A (+) Communication Signal																																																																																																																																																																																																																																																																																																																																																																																							
Bx.x	RS485 B (-) Communication Signal																																																																																																																																																																																																																																																																																																																																																																																							
CD1	Compressor Analogue Speed Control Common																																																																																																																																																																																																																																																																																																																																																																																							
C1	Indoor Fan Fixed Three speed Control Common																																																																																																																																																																																																																																																																																																																																																																																							
COM	24VAC internal Supply Common																																																																																																																																																																																																																																																																																																																																																																																							
CP	Compressor ON / OFF Signal																																																																																																																																																																																																																																																																																																																																																																																							
DFC	Damper Motor Fresh Air 0-10Vdc Command																																																																																																																																																																																																																																																																																																																																																																																							
DFE	Damper Motor Fresh Air 0-10Vdc Feedback																																																																																																																																																																																																																																																																																																																																																																																							
DRC	Damper Motor Return Air 0-10Vdc Command																																																																																																																																																																																																																																																																																																																																																																																							
DRF	Damper Motor Return Air 0-10Vdc Feedback																																																																																																																																																																																																																																																																																																																																																																																							
FC	Fan Fault Relay Output Common																																																																																																																																																																																																																																																																																																																																																																																							
FF	Fan Fault Relay Output Contact Signal																																																																																																																																																																																																																																																																																																																																																																																							
HI	Indoor Fan Fixed High speed Control Signal																																																																																																																																																																																																																																																																																																																																																																																							
HT	Cooling / Heating Mode Selection Signal																																																																																																																																																																																																																																																																																																																																																																																							
LO	Indoor Fan Fixed Low speed Control Signal																																																																																																																																																																																																																																																																																																																																																																																							
ME	Indoor Fan Fixed Medium speed Control Signal																																																																																																																																																																																																																																																																																																																																																																																							
ON	UC8 Enable link Contact																																																																																																																																																																																																																																																																																																																																																																																							
RC	UC8 Fault Relay Output Common Contact																																																																																																																																																																																																																																																																																																																																																																																							
RN	UC8 Fault Relay Output Normally Closed Contact																																																																																																																																																																																																																																																																																																																																																																																							
RO	UC8 Fault Relay Output Normally Open Contact																																																																																																																																																																																																																																																																																																																																																																																							
VC	Compressor 0-10VDC Analogue Speed Control Signal																																																																																																																																																																																																																																																																																																																																																																																							
VF	Indoor Fan 0-10Vdc Analogue Speed Control Signal																																																																																																																																																																																																																																																																																																																																																																																							
V0	Indoor Fan Analogue Speed Control Common																																																																																																																																																																																																																																																																																																																																																																																							
0V	UC8 Enable link Common																																																																																																																																																																																																																																																																																																																																																																																							
0-10	Indoor / Outdoor Fan 0-10VDC analogue speed Control																																																																																																																																																																																																																																																																																																																																																																																							
10V	Indoor / Outdoor Fan 10VDC Supply Output																																																																																																																																																																																																																																																																																																																																																																																							
12V	RS485 12V Supply Output																																																																																																																																																																																																																																																																																																																																																																																							
24V	24VAC Internal Supply																																																																																																																																																																																																																																																																																																																																																																																							
Ax.x	RS485 A (+) Communication Signal																																																																																																																																																																																																																																																																																																																																																																																							
Bx.x	RS485 B (-) Communication Signal																																																																																																																																																																																																																																																																																																																																																																																							
CD1	Compressor Analogue Speed Control Common																																																																																																																																																																																																																																																																																																																																																																																							
C1	Indoor Fan Fixed Three speed Control Common																																																																																																																																																																																																																																																																																																																																																																																							
COM	24VAC internal Supply Common																																																																																																																																																																																																																																																																																																																																																																																							
CP	Compressor ON / OFF Signal																																																																																																																																																																																																																																																																																																																																																																																							
DFC	Damper Motor Fresh Air 0-10Vdc Command																																																																																																																																																																																																																																																																																																																																																																																							
DFE	Damper Motor Fresh Air 0-10Vdc Feedback																																																																																																																																																																																																																																																																																																																																																																																							
DRC	Damper Motor Return Air 0-10Vdc Command																																																																																																																																																																																																																																																																																																																																																																																							
DRF	Damper Motor Return Air 0-10Vdc Feedback																																																																																																																																																																																																																																																																																																																																																																																							
FC	Fan Fault Relay Output Common																																																																																																																																																																																																																																																																																																																																																																																							
FF	Fan Fault Relay Output Contact Signal																																																																																																																																																																																																																																																																																																																																																																																							
HI	Indoor Fan Fixed High speed Control Signal																																																																																																																																																																																																																																																																																																																																																																																							
HT	Cooling / Heating Mode Selection Signal																																																																																																																																																																																																																																																																																																																																																																																							
LO	Indoor Fan Fixed Low speed Control Signal																																																																																																																																																																																																																																																																																																																																																																																							
ME	Indoor Fan Fixed Medium speed Control Signal																																																																																																																																																																																																																																																																																																																																																																																							
ON	UC8 Enable link Contact																																																																																																																																																																																																																																																																																																																																																																																							
RC	UC8 Fault Relay Output Common Contact																																																																																																																																																																																																																																																																																																																																																																																							
RN	UC8 Fault Relay Output Normally Closed Contact																																																																																																																																																																																																																																																																																																																																																																																							
RO	UC8 Fault Relay Output Normally Open Contact																																																																																																																																																																																																																																																																																																																																																																																							
VC	Compressor 0-10VDC Analogue Speed Control Signal																																																																																																																																																																																																																																																																																																																																																																																							
VF	Indoor Fan 0-10Vdc Analogue Speed Control Signal																																																																																																																																																																																																																																																																																																																																																																																							
V0	Indoor Fan Analogue Speed Control Common																																																																																																																																																																																																																																																																																																																																																																																							
0V	UC8 Enable link Common																																																																																																																																																																																																																																																																																																																																																																																							
0-10	Indoor / Outdoor Fan 0-10VDC analogue speed Control																																																																																																																																																																																																																																																																																																																																																																																							
10V	Indoor / Outdoor Fan 10VDC Supply Output																																																																																																																																																																																																																																																																																																																																																																																							
12V	RS485 12V Supply Output																																																																																																																																																																																																																																																																																																																																																																																							
24V	24VAC Internal Supply																																																																																																																																																																																																																																																																																																																																																																																							
Ax.x	RS485 A (+) Communication Signal																																																																																																																																																																																																																																																																																																																																																																																							
Bx.x	RS485 B (-) Communication Signal																																																																																																																																																																																																																																																																																																																																																																																							
CD1	Compressor Analogue Speed Control Common																																																																																																																																																																																																																																																																																																																																																																																							
C1	Indoor Fan Fixed Three speed Control Common																																																																																																																																																																																																																																																																																																																																																																																							
COM	24VAC internal Supply Common																																																																																																																																																																																																																																																																																																																																																																																							
CP	Compressor ON / OFF Signal																																																																																																																																																																																																																																																																																																																																																																																							
DFC	Damper Motor Fresh Air 0-10Vdc Command																																																																																																																																																																																																																																																																																																																																																																																							
DFE	Damper Motor Fresh Air 0-10Vdc Feedback																																																																																																																																																																																																																																																																																																																																																																																							
DRC	Damper Motor Return Air 0-10Vdc Command																																																																																																																																																																																																																																																																																																																																																																																							
DRF	Damper Motor Return Air 0-10Vdc Feedback																																																																																																																																																																																																																																																																																																																																																																																							
FC	Fan Fault Relay Output Common																																																																																																																																																																																																																																																																																																																																																																																							
FF	Fan Fault Relay Output Contact Signal																																																																																																																																																																																																																																																																																																																																																																																							
HI	Indoor Fan Fixed High speed Control Signal																																																																																																																																																																																																																																																																																																																																																																																							
HT	Cooling / Heating Mode Selection Signal																																																																																																																																																																																																																																																																																																																																																																																							
LO	Indoor Fan Fixed Low speed Control Signal																																																																																																																																																																																																																																																																																																																																																																																							
ME	Indoor Fan Fixed Medium speed Control Signal																																																																																																																																																																																																																																																																																																																																																																																							
ON	UC8 Enable link Contact																																																																																																																																																																																																																																																																																																																																																																																							
RC	UC8 Fault Relay Output Common Contact																																																																																																																																																																																																																																																																																																																																																																																							
RN	UC8 Fault Relay Output Normally Closed Contact																																																																																																																																																																																																																																																																																																																																																																																							
RO	UC8 Fault Relay Output Normally Open Contact																																																																																																																																																																																																																																																																																																																																																																																							
VC	Compressor 0-10VDC Analogue Speed Control Signal																																																																																																																																																																																																																																																																																																																																																																																							
VF	Indoor Fan 0-10Vdc Analogue Speed Control Signal																																																																																																																																																																																																																																																																																																																																																																																							
V0	Indoor Fan Analogue Speed Control Common																																																																																																																																																																																																																																																																																																																																																																																							
0V	UC8 Enable link Common																																																																																																																																																																																																																																																																																																																																																																																							
0-10	Indoor / Outdoor Fan 0-10VDC analogue speed Control																																																																																																																																																																																																																																																																																																																																																																																							
10V	Indoor / Outdoor Fan 10VDC Supply Output																																																																																																																																																																																																																																																																																																																																																																																							
12V	RS485 12V Supply Output																																																																																																																																																																																																																																																																																																																																																																																							
24V	24VAC Internal Supply																																																																																																																																																																																																																																																																																																																																																																																							
Ax.x	RS485 A (+) Communication Signal																																																																																																																																																																																																																																																																																																																																																																																							
Bx.x	RS485 B (-) Communication Signal																																																																																																																																																																																																																																																																																																																																																																																							
CD1	Compressor Analogue Speed Control Common																																																																																																																																																																																																																																																																																																																																																																																							
C1	Indoor Fan Fixed Three speed Control Common																																																																																																																																																																																																																																																																																																																																																																																							
COM	24VAC internal Supply Common																																																																																																																																																																																																																																																																																																																																																																																							
CP	Compressor ON / OFF Signal																																																																																																																																																																																																																																																																																																																																																																																							
DFC	Damper Motor Fresh Air 0-10Vdc Command																																																																																																																																																																																																																																																																																																																																																																																							
DFE	Damper Motor Fresh Air 0-10Vdc Feedback																																																																																																																																																																																																																																																																																																																																																																																							
DRC	Damper Motor Return Air 0-10Vdc Command																																																																																																																																																																																																																																																																																																																																																																																							
DRF	Damper Motor Return Air 0-10Vdc Feedback																																																																																																																																																																																																																																																																																																																																																																																							
FC	Fan Fault Relay Output Common																																																																																																																																																																																																																																																																																																																																																																																							
FF	Fan Fault Relay Output Contact Signal																																																																																																																																																																																																																																																																																																																																																																																							
HI	Indoor Fan Fixed High speed Control Signal																																																																																																																																																																																																																																																																																																																																																																																							
HT	Cooling / Heating Mode Selection Signal																																																																																																																																																																																																																																																																																																																																																																																							
LO	Indoor Fan Fixed Low speed Control Signal																																																																																																																																																																																																																																																																																																																																																																																							
ME	Indoor Fan Fixed Medium speed Control Signal																																																																																																																																																																																																																																																																																																																																																																																							
ON	UC8 Enable link Contact																																																																																																																																																																																																																																																																																																																																																																																							
RC	UC8 Fault Relay Output Common Contact																																																																																																																																																																																																																																																																																																																																																																																							
RN	UC8 Fault Relay Output Normally Closed Contact																																																																																																																																																																																																																																																																																																																																																																																							
RO	UC8 Fault Relay Output Normally Open Contact																																																																																																																																																																																																																																																																																																																																																																																							
VC	Compressor 0-10VDC Analogue Speed Control Signal																																																																																																																																																																																																																																																																																																																																																																																							
VF	Indoor Fan 0-10Vdc Analogue Speed Control Signal																																																																																																																																																																																																																																																																																																																																																																																							
V0	Indoor Fan Analogue Speed Control Common																																																																																																																																																																																																																																																																																																																																																																																							
0V	UC8 Enable link Common																																																																																																																																																																																																																																																																																																																																																																																							
0-10	Indoor / Outdoor Fan 0-10VDC analogue speed Control																																																																																																																																																																																																																																																																																																																																																																																							
10V	Indoor / Outdoor Fan 10VDC Supply Output																																																																																																																																																																																																																																																																																																																																																																																							
12V	RS485 12V Supply Output																																																																																																																																																																																																																																																																																																																																																																																							
24V	24VAC Internal Supply																																																																																																																																																																																																																																																																																																																																																																																							
Ax.x	RS485 A (+) Communication Signal																																																																																																																																																																																																																																																																																																																																																																																							
Bx.x	RS485 B (-) Communication Signal																																																																																																																																																																																																																																																																																																																																																																																							
CD1	Compressor Analogue Speed Control Common																																																																																																																																																																																																																																																																																																																																																																																							
C1	Indoor Fan Fixed Three speed Control Common																																																																																																																																																																																																																																																																																																																																																																																							
COM	24VAC internal Supply Common																																																																																																																																																																																																																																																																																																																																																																																							
CP	Compressor ON / OFF Signal																																																																																																																																																																																																																																																																																																																																																																																							
DFC	Damper Motor Fresh Air 0-10Vdc Command																																																																																																																																																																																																																																																																																																																																																																																							
DFE	Damper Motor Fresh Air 0-10Vdc Feedback																																																																																																																																																																																																																																																																																																																																																																																							
DRC	Damper Motor Return Air 0-10Vdc Command																																																																																																																																																																																																																																																																																																																																																																																							
DRF	Damper Motor Return Air 0-10Vdc Feedback																																																																																																																																																																																																																																																																																																																																																																																							
FC	Fan Fault Relay Output Common																																																																																																																																																																																																																																																																																																																																																																																							
FF	Fan Fault Relay Output Contact Signal																																																																																																																																																																																																																																																																																																																																																																																							
HI	Indoor Fan Fixed High speed Control Signal																																																																																																																																																																																																																																																																																																																																																																																							
HT	Cooling / Heating Mode Selection Signal																																																																																																																																																																																																																																																																																																																																																																																							
LO	Indoor Fan Fixed Low speed Control Signal																																																																																																																																																																																																																																																																																																																																																																																							
ME	Indoor Fan Fixed Medium speed Control Signal																																																																																																																																																																																																																																																																																																																																																																																							
ON	UC8 Enable link Contact																																																																																																																																																																																																																																																																																																																																																																																							
RC	UC8 Fault Relay Output Common Contact																																																																																																																																																																																																																																																																																																																																																																																							
RN	UC8 Fault Relay Output Normally Closed Contact																																																																																																																																																																																																																																																																																																																																																																																							
RO	UC8 Fault Relay Output Normally Open Contact																																																																																																																																																																																																																																																																																																																																																																																							
VC	Compressor 0-10VDC Analogue Speed Control Signal																																																																																																																																																																																																																																																																																																																																																																																							
VF	Indoor Fan 0-10Vdc Analogue Speed Control Signal																																																																																																																																																																																																																																																																																																																																																																																							
V0	Indoor Fan Analogue Speed Control Common																																																																																																																																																																																																																																																																																																																																																																																							
REV	DESCRIPTION	ECN	DATE	APPROVED																																																																																																																																																																																																																																																																																																																																																																																				
A	Initial Release			A.V																																																																																																																																																																																																																																																																																																																																																																																				
Drawn: A.V	Date: 12/07/23																																																																																																																																																																																																																																																																																																																																																																																							
Approved: LC																																																																																																																																																																																																																																																																																																																																																																																								
Title: OPA 970RLTB1FPQ(-Z) Wiring Schematic																																																																																																																																																																																																																																																																																																																																																																																								
Drawing No: 291-003-537	Rev: A																																																																																																																																																																																																																																																																																																																																																																																							
SHEET 4 OF 4																																																																																																																																																																																																																																																																																																																																																																																								
<div style="display: flex; justify-content: space-between;"> <div style="width: 45%;"> <p>Important Notes:</p> <ul style="list-style-type: none"> 24 Hour power required (on L1) for control circuit and crankcase heaters Portable Residual Current Device (PRCD) shall be used with single phase socket. <p>Phase Loss Relay</p> <ul style="list-style-type: none"> PWR (Green) Indicator lit when power is being supplied. RY (Yellow) Indicator lit when relay is operating. </div> <div style="width: 45%;"> <p>Indoor Coil Layout</p> <p>Overall System Layout</p> <p>Temperzone Soft Starter Default Settings</p> <p>UC8 Configuration</p> <p>* 1 x EEV per system</p> <table border="1" style="width:100%; border-collapse: collapse;"> <tr><td>Compressor</td><td>UC8 DIP SWITCHES</td></tr> <tr><td>SYSTEM 1</td><td>INVERTER 1, 4, 6, 7, 10, 14</td></tr> <tr><td>SYSTEM 2</td><td>FIXED SPEED 1, 4, 6, 7, 10, 11, 14</td></tr> </table> </div> </div>										Compressor	UC8 DIP SWITCHES	SYSTEM 1	INVERTER 1, 4, 6, 7, 10, 14	SYSTEM 2	FIXED SPEED 1, 4, 6, 7, 10, 11, 14																																																																																																																																																																																																																																																																																																																																																																									
Compressor	UC8 DIP SWITCHES																																																																																																																																																																																																																																																																																																																																																																																							
SYSTEM 1	INVERTER 1, 4, 6, 7, 10, 14																																																																																																																																																																																																																																																																																																																																																																																							
SYSTEM 2	FIXED SPEED 1, 4, 6, 7, 10, 11, 14																																																																																																																																																																																																																																																																																																																																																																																							
<div style="display: flex; justify-content: space-between;"> <div style="width: 45%;"> <p>Client Wiring</p> <p>Refer to Sheet 3 for Terminal Blocks</p> <ol style="list-style-type: none"> 1) Connect B12 to TB27T (12V) 2) Connect B9 to TB25T (A1.2) 3) Connect B21 to TB25M (B1.2) 4) Connect 0V to TB25B (0) </div> <div style="width: 45%;"> <p>Client Wiring</p> <p>Refer to Sheet 3 for Terminal Blocks</p> <ol style="list-style-type: none"> 1) Connect B12 to TB27T (12V) 2) Connect B9 to TB25T (A1.2) 3) Connect B21 to TB25M (B1.2) 4) Connect 0V to TB25B (0) </div> </div>																																																																																																																																																																																																																																																																																																																																																																																								
<p>Instructions To Convert To Master-Master Control</p> <ol style="list-style-type: none"> 1) Turn off power to entire system. 2) Turn off dip switch 11 for system 2 fixed speed UC8 control. 3) Move the jumper between terminal blocks TB24T and TB25T to between TB25T and TB26T (refer to sheet 3). 4) Move the jumper between terminal blocks TB24M and TB25M to between TB25M and TB26M (refer to sheet 3). 5) Turn power back on. 6) Check UC8. 2 (SYSTEM 2) address is set as 45. If its address is 44, it needs to be changed to 45 using the pushbutton. 																																																																																																																																																																																																																																																																																																																																																																																								
<p>Client Wiring</p> <p>Power Supply 400V 50Hz</p>																																																																																																																																																																																																																																																																																																																																																																																								