

Indoor Unit	(845-251-001)	ISD 251LYX
Outdoor Unit	(846-251-003)	OSA 251RLTFH-S2 (inverter)
Cooling capacity (net) *		22.5 kW
Cooling capacity range (gross)		13.3 ~ 29.5 kW
Heating capacity *		23.3 kW
Heating capacity range		10.4 ~ 29.2 kW
Electrical input - cooling		7.1 kW
Electrical input - heating		6.7 kW
EER / AEER (cooling) *		3.19 / 3.17
COP / ACOP (heating) *		3.48 / 3.45
Unit Controllers		UC8 / IUC
Refrigerant		R32
Refrigerant precharge for 15 m		8.25 kg
Minimum floor area (@2.4m below ceiling diffuser)		36.2 m ²
Additional charge req'd for over 15 m		105 g/m
Maximum line length		60 m
Max. charge / Min. floor area (below ceiling diffuser)		13 kg / 90 m ²
Separation limit: OSA above ISD		20 m
Separation limit: OSA below ISD		20 m
Suction line		22 mm OD
Liquid line		13 mm OD
Compressor oil type		POE-46 (NXG5020 or equivalent)
Additional oil charge over 40m line length		20 ml/m
Compressor type		Inverter scroll
Power supply via OSA		3 ph. 400 V ac 50 Hz + N + E
Compressor (3ph.) run amps at rating cond. *		10 A
Indoor fan motor size		1250 W
Rated indoor fan speed		7 V
Indoor fan motor (1ph.) - full load		6 A
Outdoor fan motor (1ph.) - full load		1.5 A (x2)
Outdoor fan capacitor size		6 μ fd (x2)
Control circuit breaker (internal)		6 A
Running amps (total system) *		16.0 / 10 / 10.5 A
Max. running amps (total system)		24.0 / 15.5 / 15.5 A
RCD type recommended		type B, 30mA, 3 pole
Net weight ISD / OSA		89 / 161 kg

Accessories:

ISD Spring mounting kit	307-161-101
ISD Spigot plate adaptor Ø450 x 2	525-311-715
ISD Filter box c/w EU4/G4 filter (NZ only)	493-000-007
ISD Replacement filter (NZ only)	019-400-002(x2),019-400-003(x1)
ISD Supply air plenum Ø400 x 3 (NZ only)	492-000-005
ISD Return air plenum Ø400 x 3 (NZ only)	492-100-006
ISD Fresh air inlet spigot Ø200 (NZ only)	325-000-052
OSA Drain connection adaptor 25/13mm	060-000-039
OSA Anti-vibration mounts - rubber (x4)	060-000-170

Optional Controls:

SAT-3 Room temperature controller	201-000-146
Six Zone Control kit for SAT-3	201-000-073
TZT-100 Room temperature controller	201-000-350

Refer to temperzone for other options, eg remote sensors, connection wires.

* Tested in accordance with AS/NZS 3823

19046

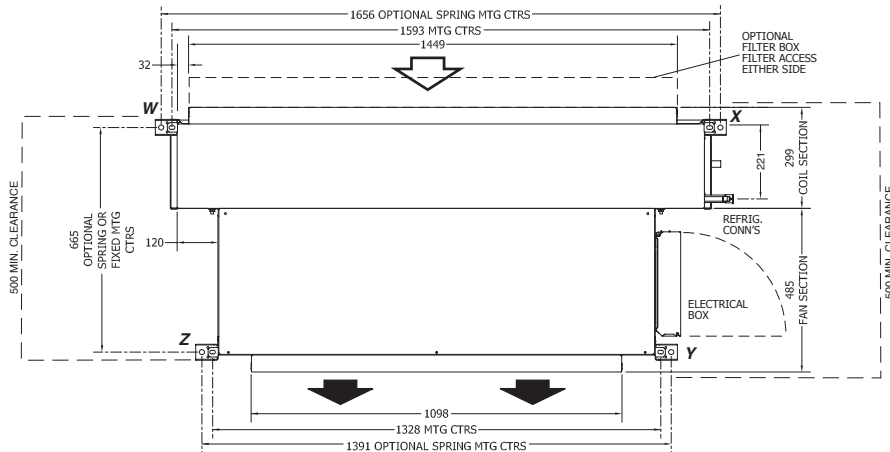
* Voltage range: 380–440V.

DIMENSIONS (mm)



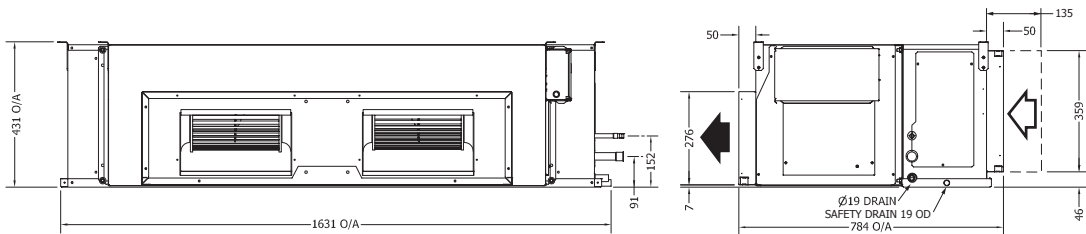
Not to Scale

ISD 251LYX Indoor Unit

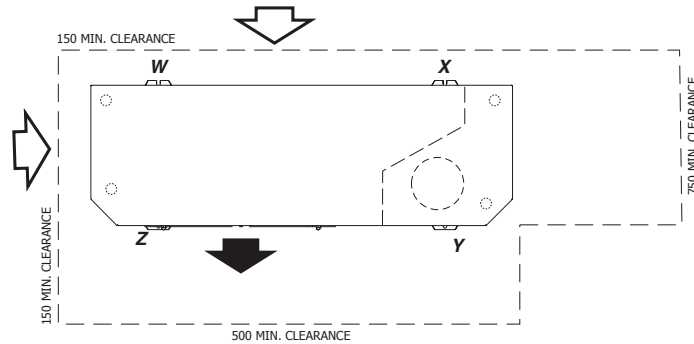


POINT LOADS (kg)			
W	X	Y	Z
26	23	25	15

Note: Fan motor can be accessed from panel above, below or sides; no more than two panels at once.

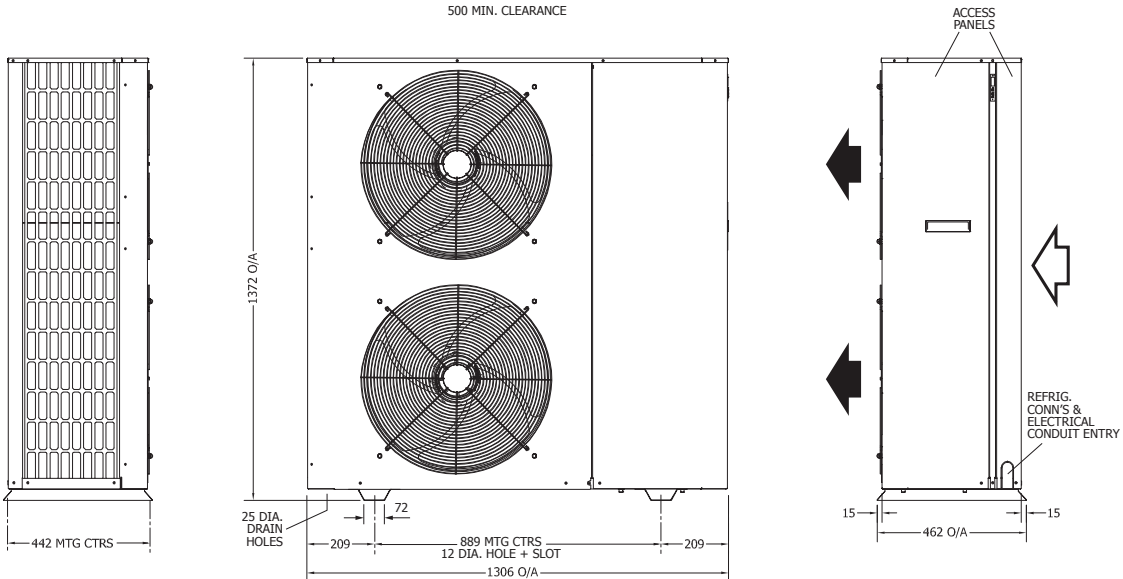


OSA 251RLTF Outdoor Unit



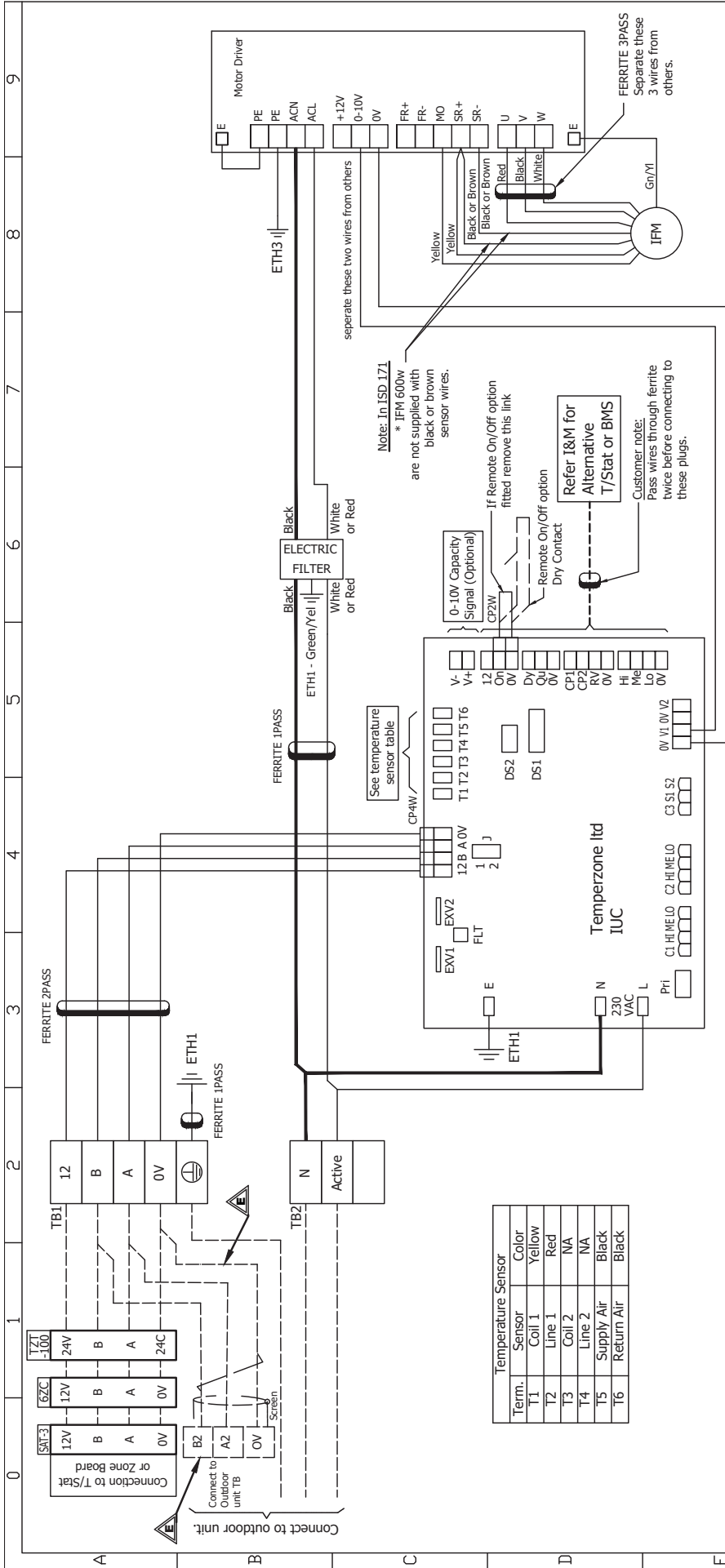
POINT LOADS (kg)			
W	X	Y	Z
10	69	25	57

Recommended Connecting Pipe Sizes
 Suction : 22 mm OD
 Liquid : 13 mm OD



NOTE

Specifications are subject to change without notice due to the manufacturer's ongoing research and development programme.



Site commissioning DIP switch setting options

Step 1: Set Output Voltage for HIGH		Step 2: Set Voltage Range LOW-HIGH			
DIP 1	DIP 2	DIP 3	DIP 4	DIP 5	RANGE
Off	Off	Off	Off	Off	2
On	Off	Off	Off	Off	3
Off	On	Off	Off	Off	4.5
On	On	Off	Off	On	6

IUC Board Jumper selection (J)

Position	Definition
1	Cable length >10m and IUC is at terminating of cable.
2	Cable length <10m and/or not at cable terminating end. (DEFAULT)

Factory Default DIP switch Selections for Models

UNIT	DS1 DIP switch selections				DS2 DIP switch selections			
	DIP 1	DIP 2	DIP 3	DIP 4	DIP 1	DIP 2	DIP 3	DIP 4
ISD171	On	Off	Off	Off	Off	Off	Off	Off
ISD211	On	Off	Off	Off	Off	Off	Off	Off
ISD251	On	Off	Off	Off	Off	Off	Off	Off

REV

REV	MODIFICATION	DATE	REF	ENG
E	Added Terminal block & 0V wire leading to outdoor unit TB.	05-04-23	ECN5094	G.S.S.
D	Updated DIP switch settings for ISD 211 and 251	24-03-22	ECN5027	R.K.
C	Temp. Sensor T2 color Red was Blue	30-12-20	N4345	R.P.B.
B	EMC compliance updates.	26-08-20	N4327	A.W.G.

DO NOT SCALE - ASK

Client Wiring

©temperzone Ltd 2019

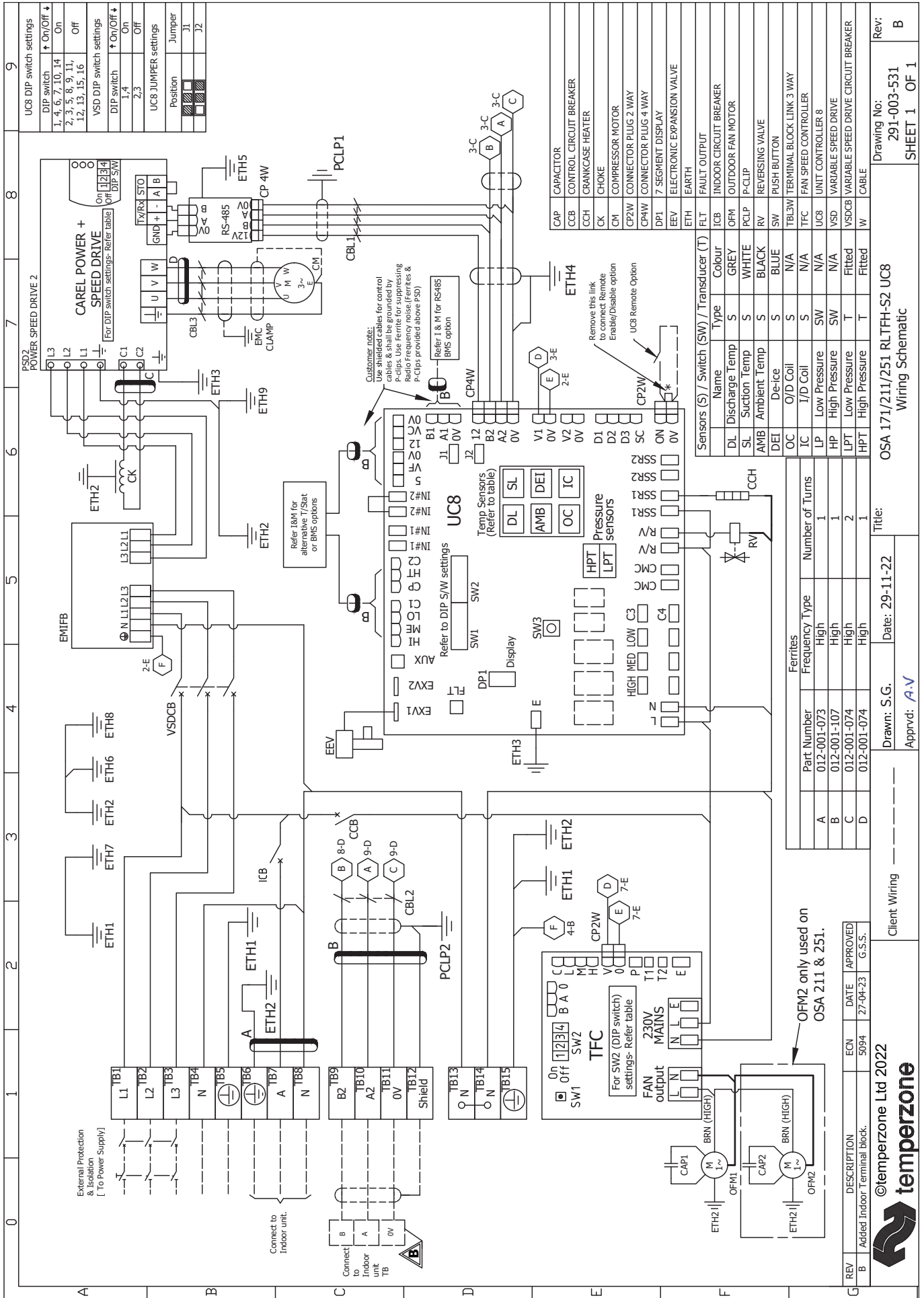
temperzone

Drawn: D.A.B. **Date: 24-07-19** **Title:**

Approved: A.V.

ISD 171/211/251 LYX
Wiring Schematic

Rev: E
291-003-099
SHEET 1 OF 1



Drawing No: 291-003-531
SHEET 1 OF 1

Rev: B

OSA 171/211/251 RLTFH-S2 UC8
Wiring Schematic

Title: OSA 171/211/251 RLTFH-S2 UC8
Date: 29-11-22

Drawn: S.G. **AV**
Apprvd: **AV**

Client Wiring

