

Model	OPA 2110RLTM4FPQD(-Z) Econex Pro
Configuration	Horizontal Supply Air
Item No. (Standard / Opposite Hand)	876-211-701 / 876-211-710
Unit c/w Economiser (Standard / Opposite Hand)	877-211-701 / 877-211-710
Configuration	Downward Supply Air
Item No. (Standard / Opposite Hand)	876-211-723 / 876-211-732
Unit c/w Economiser (Standard / Opposite Hand)	877-211-723 / 877-211-732
Cooling capacity (net) ¹	207 kW
Cooling capacity (gross) range	27 ~ 239 kW
Heating capacity ¹	203 kW
Heating capacity (gross) range	15 ~ 244 kW
Electrical input - cooling	67.3 kW
Electrical input - heating	57.4 kW
EER / AEER (cooling) ¹	3.07 / 3.06
COP / ACOP (heating) ¹	3.54 / 3.53
Operating Range (outdoor ambient) - cooling	-10°C ~ 50°C
Operating Range (outdoor ambient) - heating	-10°C ~ 25°C
Master Controller	<i>c.pCO</i>
Slave Controllers	UC8 (x4)
Refrigerant	R32
Refrigerant Charge	9.8 kg/sys.
Minimum floor area (@5m below ceiling diffuser)	11.8 m ² /sys.
Compressor oil type	POE-46 (NXG5020 or equivalent)
Compressor type	Inverter scroll (x4)
Power supply ²	3 ph. 400V ac 50Hz + N + E
Compressor (3ph.) run amps at rating cond.	22 A/ph. (x4)
Compressor circuit breaker	32 A (x4)
Indoor fan motor size	EC Plug 3.5kW (x4)
Nominal air flow at rating conditions	11 000 l/s
Indoor fan motor (3ph.) - full load	9.1 A/ph. (x4)
Outdoor fan motor (3ph.) - full load	4.7 A/ph. (x4)
Outdoor fan motor – max. ext. static pressure available	120 Pa (@20,600 l/s)
Control circuit breaker (internal)	4 A
Auxiliary power outlet (1ph.) overload setting	10 A
Running amps (total system)	108 / 101 / 111 A
Max. running amps (total system)	158 / 153 / 159 A
RCD type recommended	type B, 30mA, 3 pole
Net weight	2 577 kg
Shipping weight (excl. cowl)	2,636 kg
Net weight (c/w Economiser)	2 667 kg

Accessories:

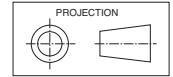
Remote wired Service Interface Device (<i>pGD1</i>)	201-000-379
Filters - rated EU4/G4 disposable	019-400-004 500x500x50 (x12) 019-400-005 500x600x50 (x4) ³
Filters - rated EU4/G4 washable (NZ only)	019-000-004 500x500x50 (x12) 019-000-005 500x600x50 (x4) ³

¹ Tested in accordance with AS/NZS 3823

² Voltage range: 380 – 440 V

³ Filter sizes are nominal; refer to Temperzone for actual measurements.

DIMENSIONS (mm)

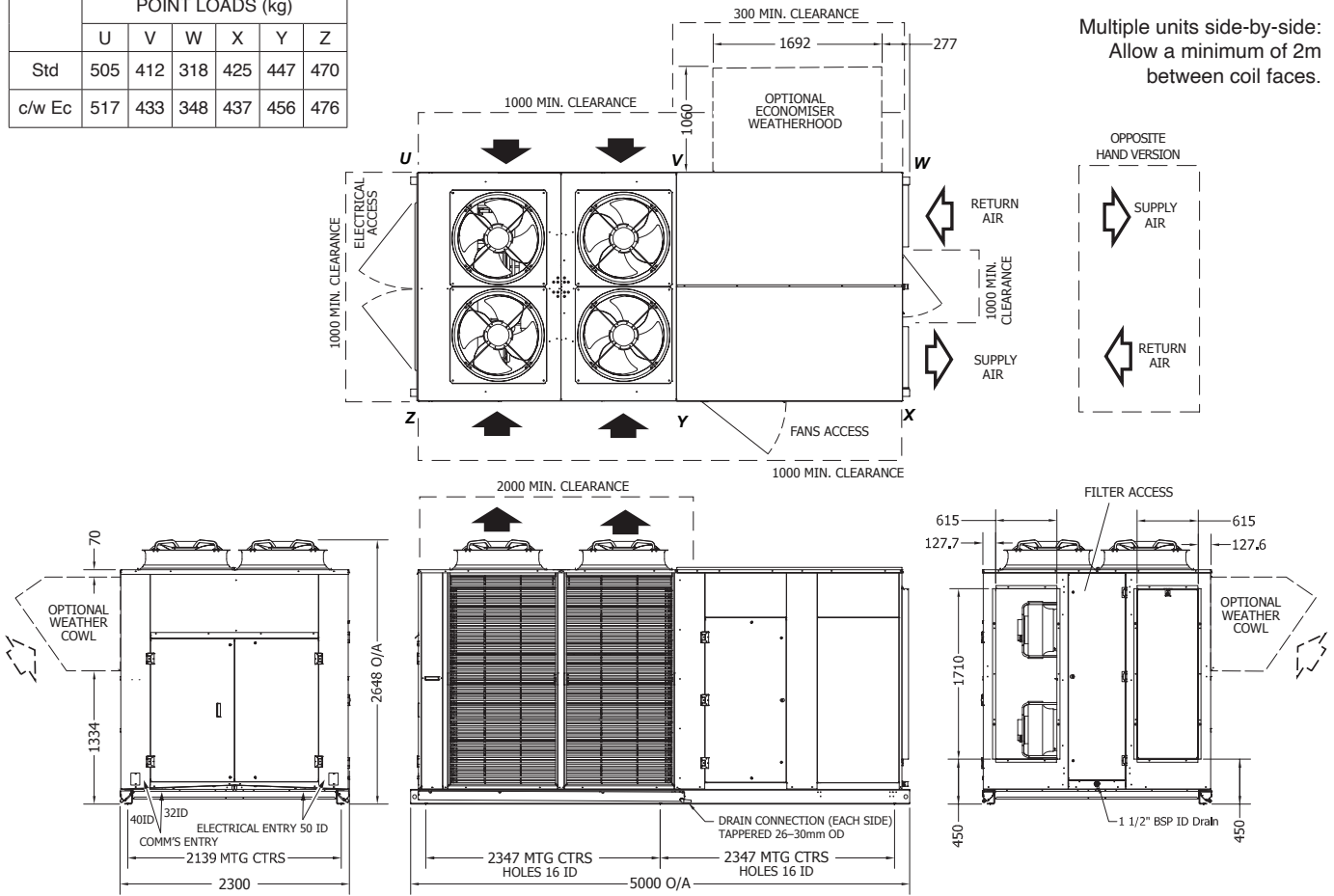


OPA 2110RLTMFPQD01(-Z) Horizontal Supply, Standard Hand

Not to Scale

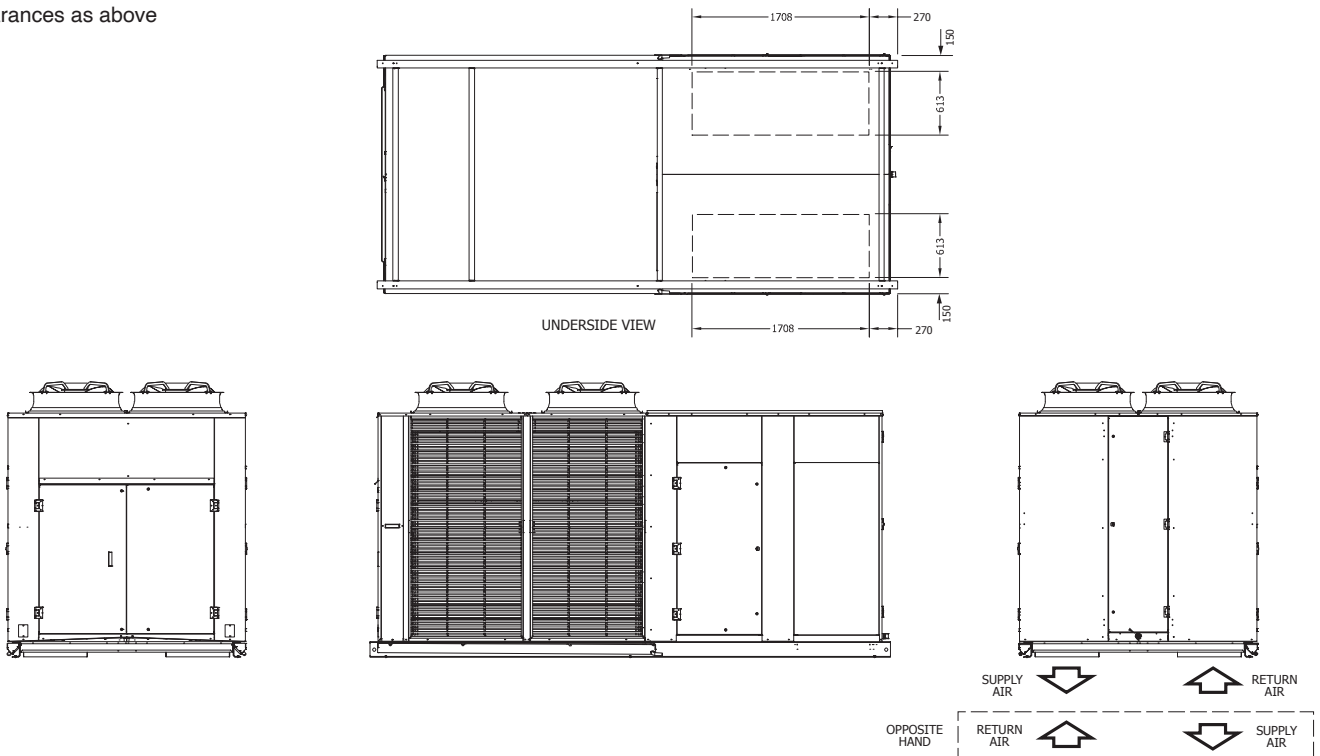
Multiple units side-by-side:
Allow a minimum of 2m
between coil faces.

	POINT LOADS (kg)					
	U	V	W	X	Y	Z
Std	505	412	318	425	447	470
c/w Ec	517	433	348	437	456	476



OPA 2110RLTMFPQD23(-Z) Downward Supply, Standard Hand

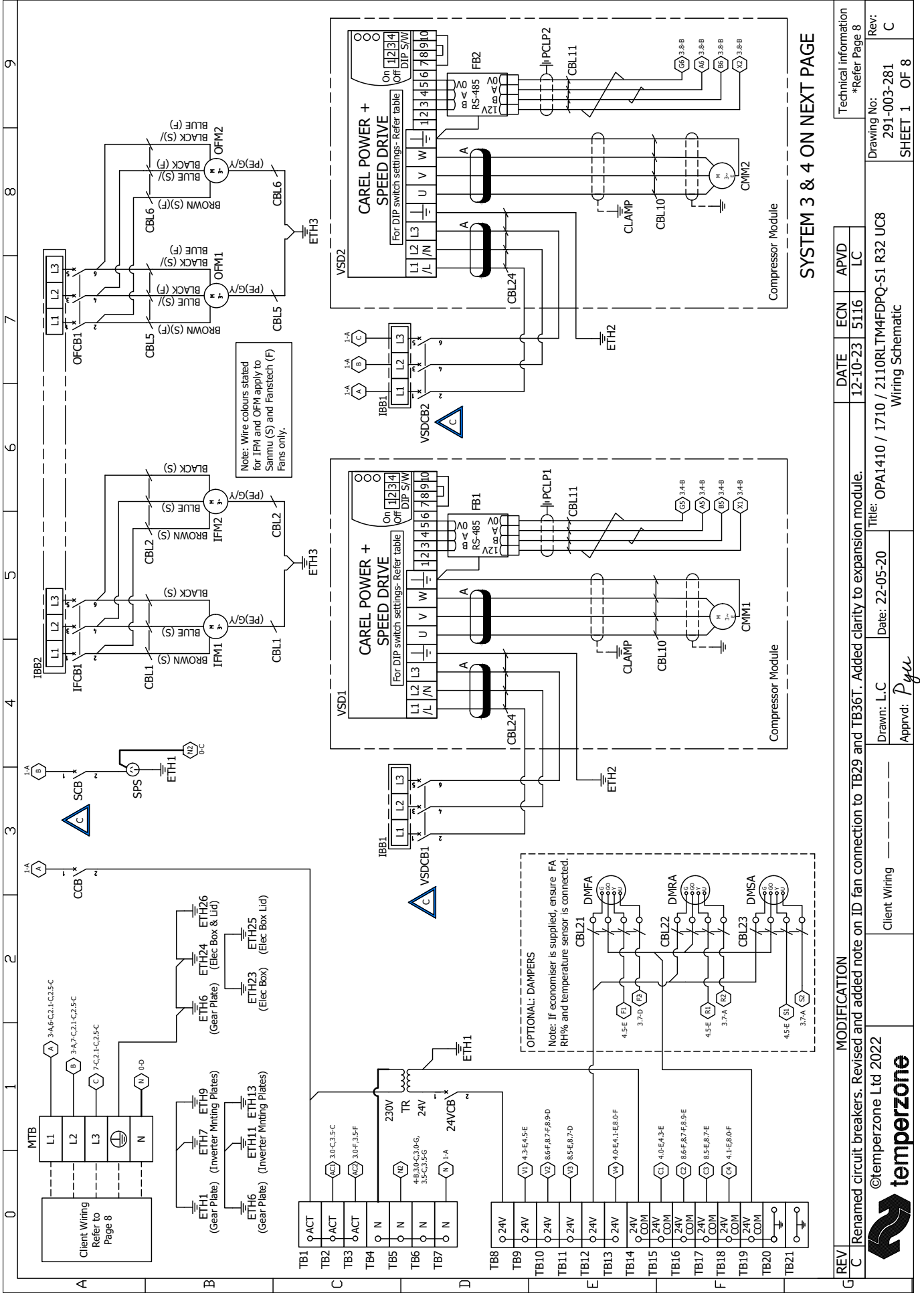
Clearances as above



NOTE

Specifications are subject to change without notice due to the manufacturer's ongoing research and development programme.

WIRING (1)



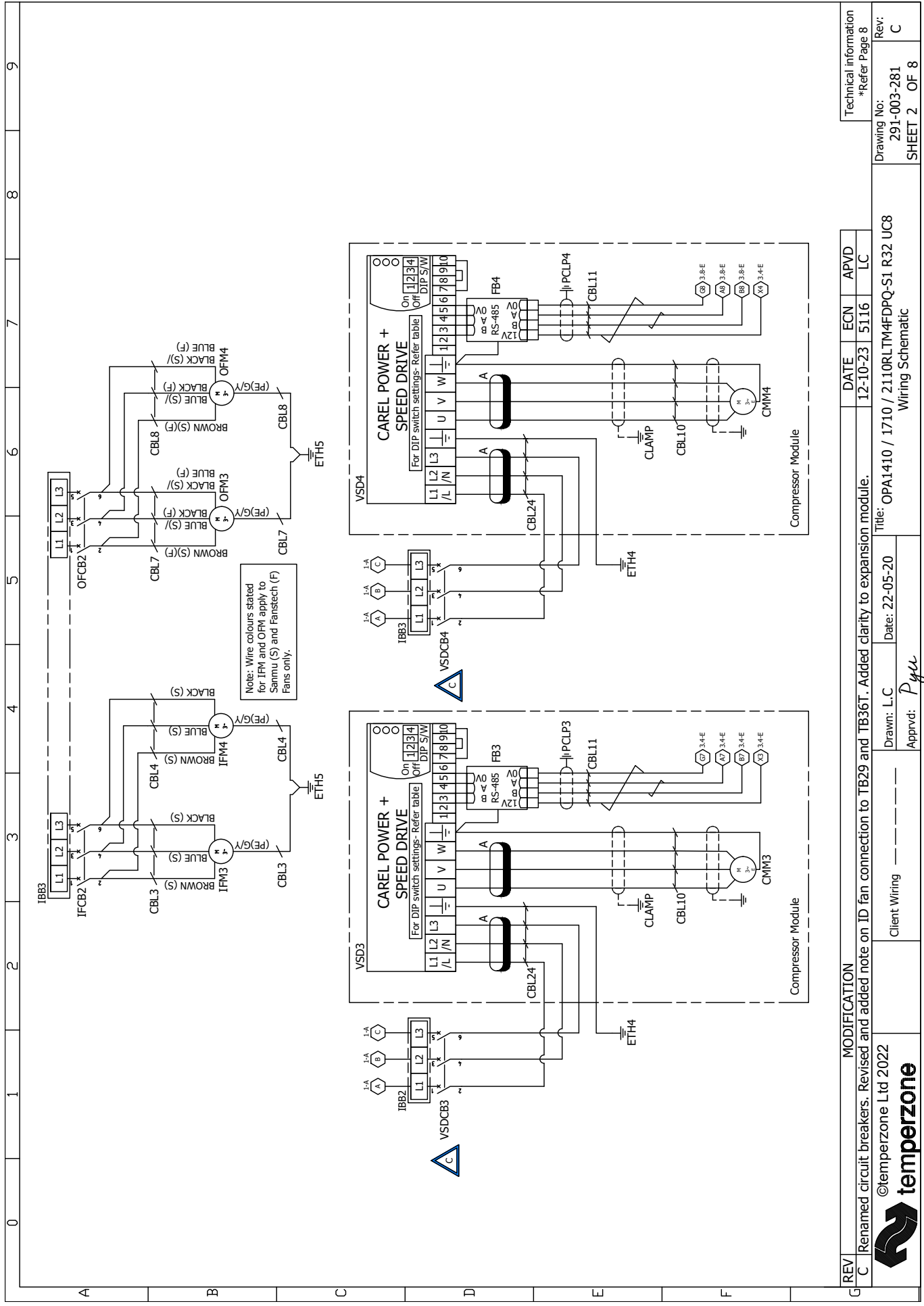
REV	MODIFICATION	DATE	ECN	APVD	Technical information
C	Renamed circuit breakers. Revised and added note on ID fan connection to TB29 and TB36T. Added clarity to expansion module.	12-10-23	5116	LC	*Refer Page 8

Client Wiring Refer to Page 8	Client Wiring	Drawn: L.C	Date: 22-05-20	Approved: <i>Pylu</i>	Title: OPA1410 / 1710 / 2110RLTM4FDPO-S1 R32 UC8
					Wiring Schematic

Drawing No: 291-003-281	Rev: C
SHEET 1	OF 8



©temperzone Ltd 2022



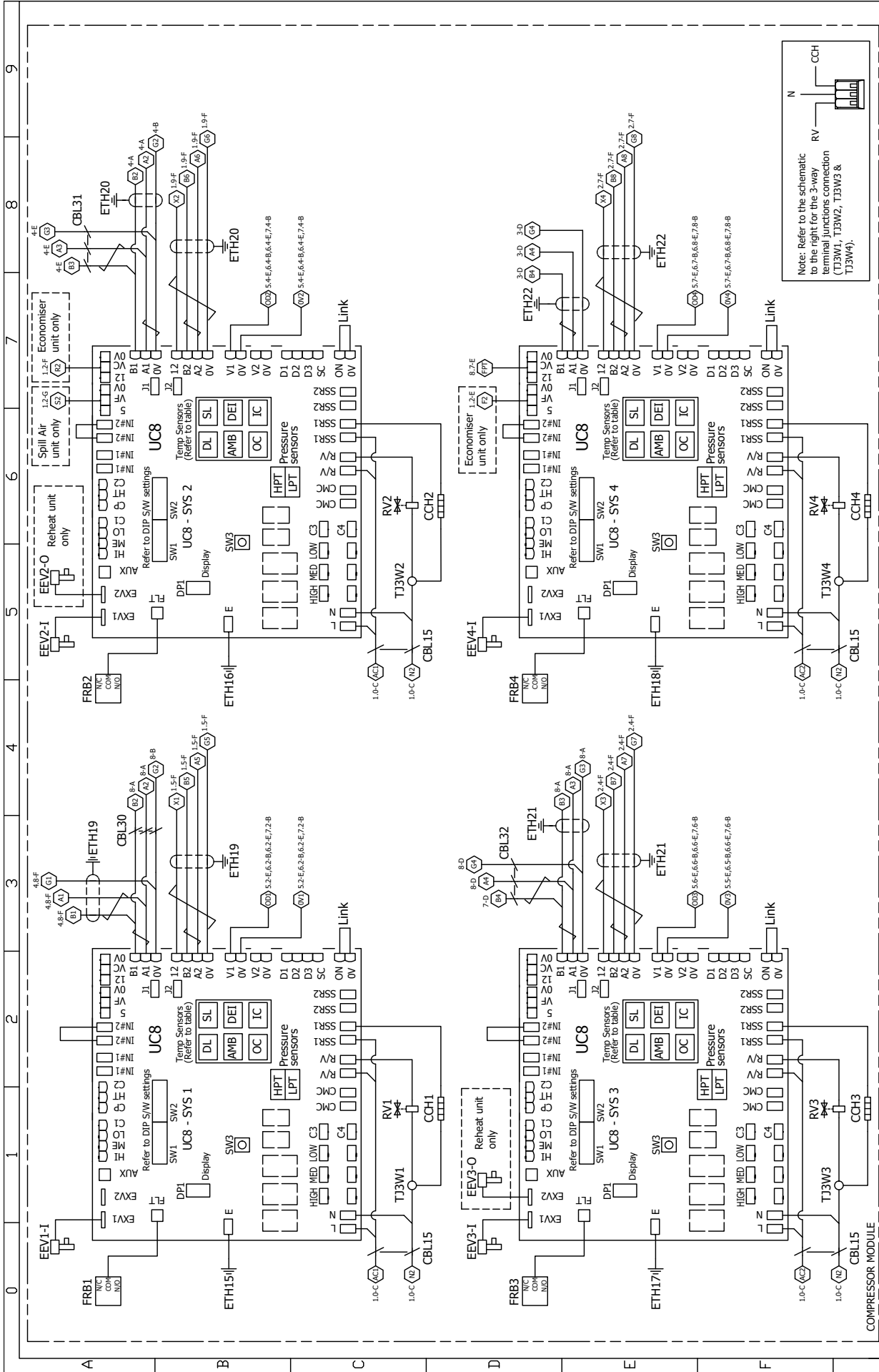
REV	C	MODIFICATION	DATE	ECN	APVD	Technical information
		Renamed circuit breakers. Revised and added note on ID fan connection to TB29 and TB36T. Added clarity to expansion module.	12-10-23	5116	LC	*Refer Page 8
		Client Wiring	Drawn: L.C	Date: 22-05-20	Approved: <i>Pyu</i>	Drawing No: 291-003-281
						Rev: C
						SHEET 2 OF 8



©temperzone Ltd 2022

Title: OPA1410 / 1710 / 2110RLTM4FDPO-S1 R32 UC8
Wiring Schematic

WIRING (3)

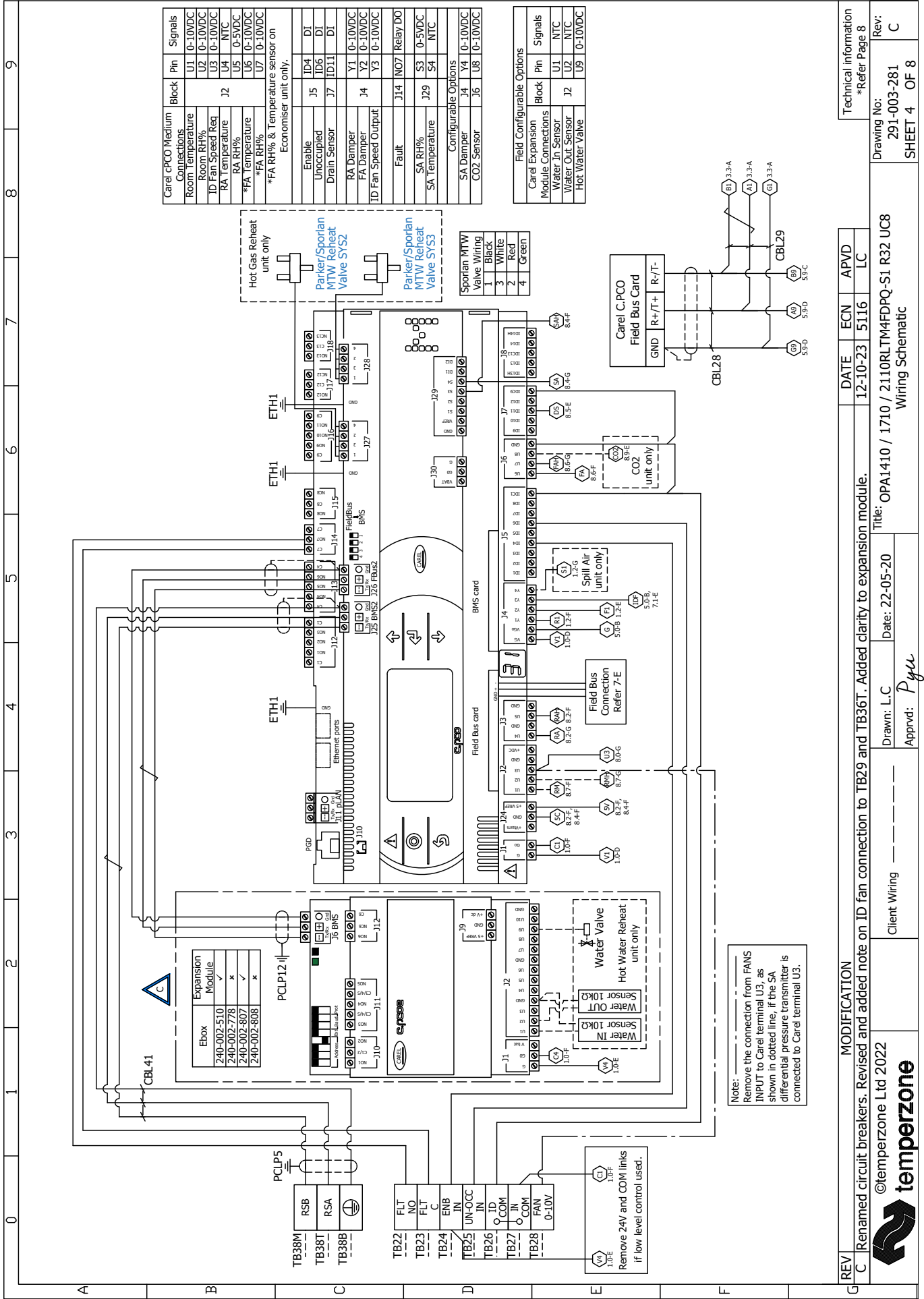


REV	MODIFICATION	DATE	ECN	APVD	LC
C	Renamed circuit breakers. Revised and added note on ID fan connection to TB29 and TB36T. Added clarity to expansion module.	12-10-23	5116	LC	LC

Technical information	*Refer Page 8
Drawing No:	291-003-281
Rev:	C
Title: OPA1410 / 1710 / 2110RLTM4FDPQ-S1 R32 UC8 Wiring Schematic	
Client Wiring	-----
Drawn: L.C	Date: 22-05-20
Approved: <i>Pyll</i>	



©temperzone Ltd 2022



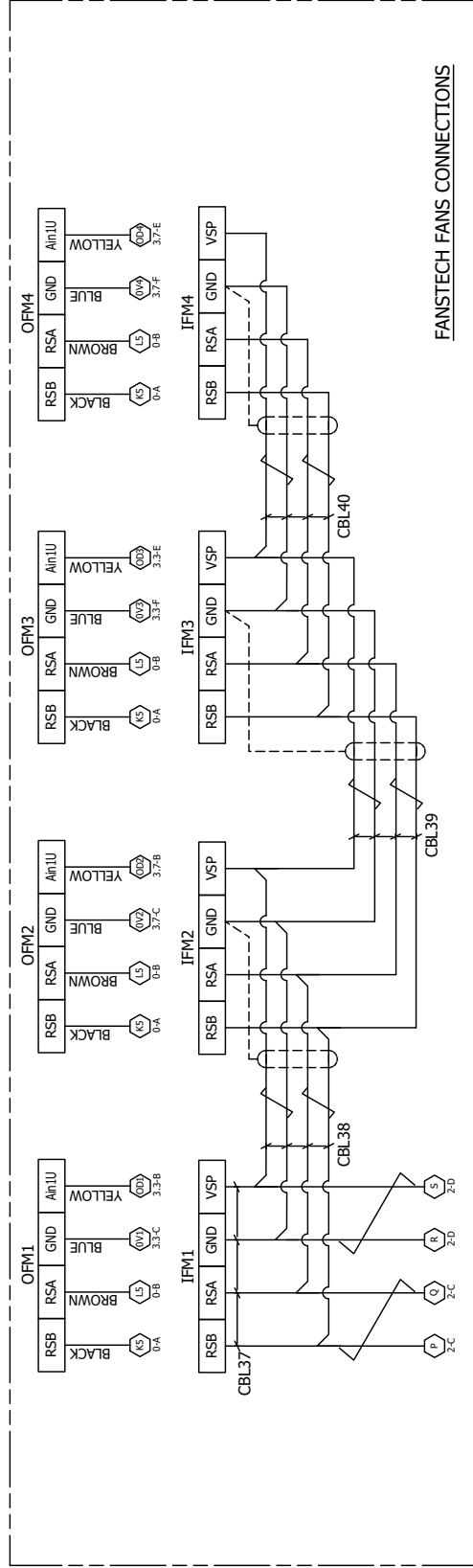
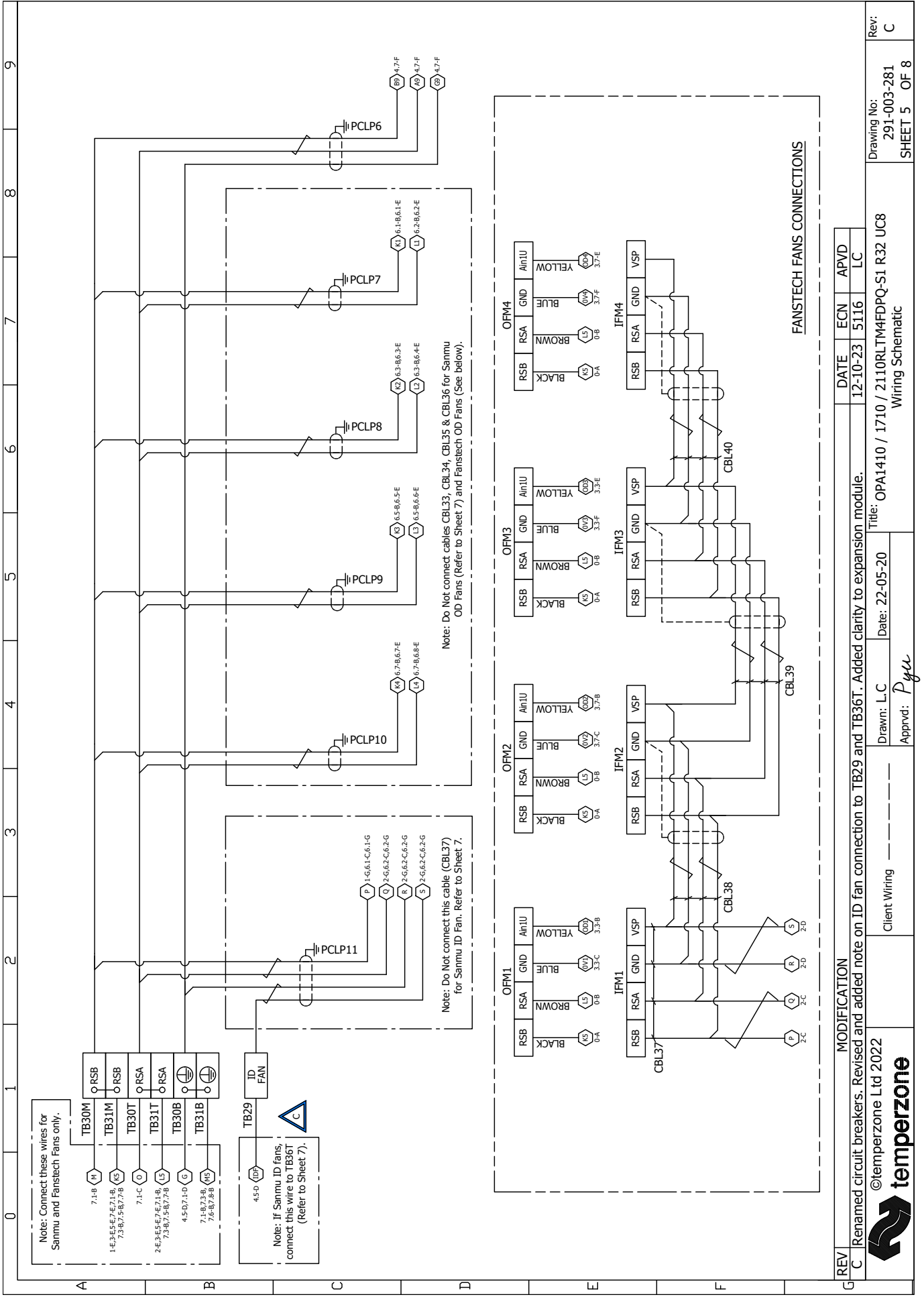
Note:
 Remove the connection from FANS INPUT to Carel terminal U3, as shown in dotted line, if the SA differential pressure transmitter is connected to Carel terminal U3.

REV	MODIFICATION	DATE	ECN	APVD	Technical information
C	Renamed circuit breakers. Revised and added note on ID fan connection to TB29 and TB36T. Added clarity to expansion module.	12-10-23	5116	LC	*Refer Page 8

Drawing No: 291-003-281 Rev: C	Title: OPA1410 / 1710 / 2110RLTM4FDPQ-S1 R32 UC8 Wiring Schematic
---	---

Client Wiring	Drawn: L.C	Date: 22-05-20	Approved: <i>Pyle</i>
---------------	------------	----------------	-----------------------





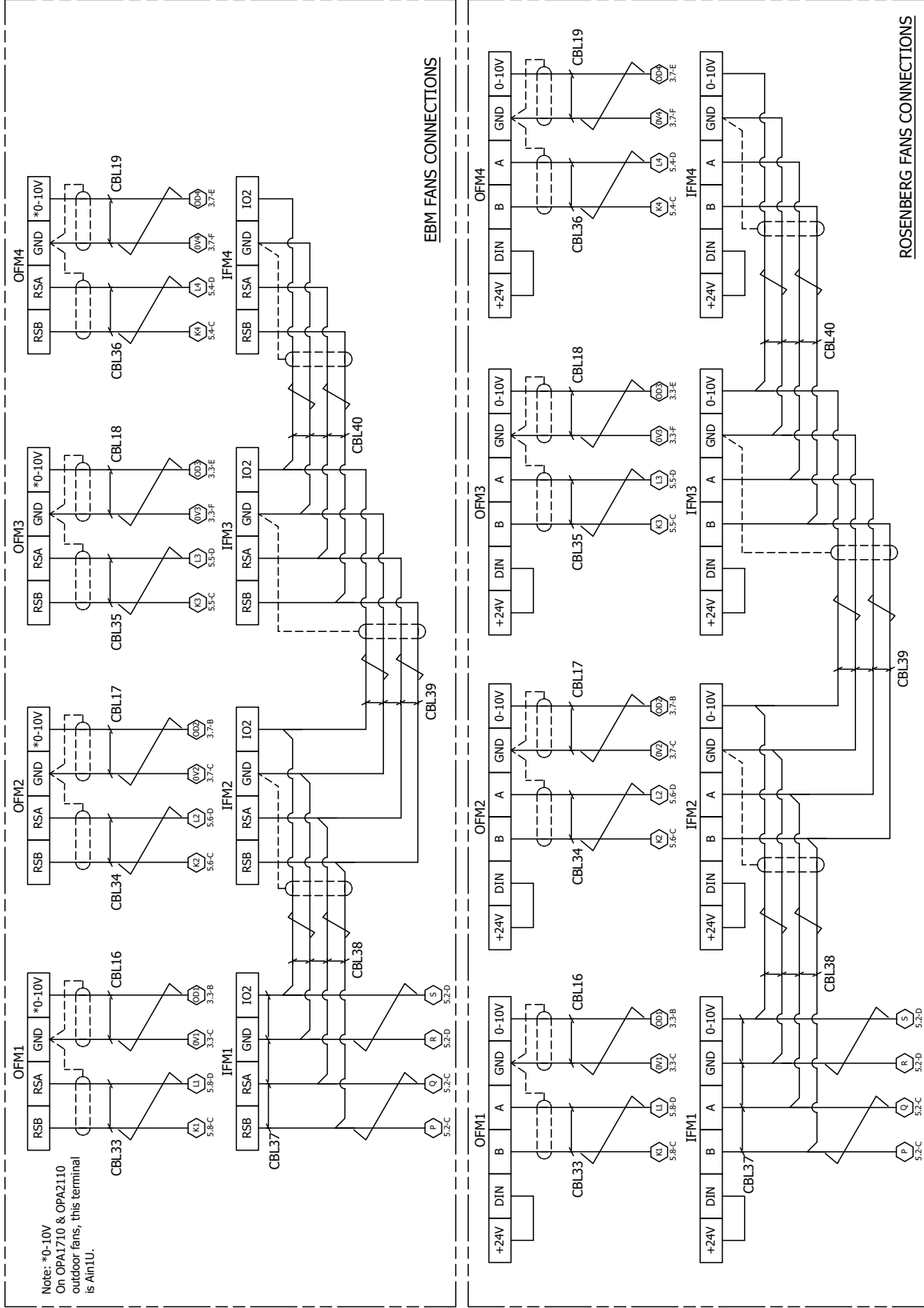
REV	MODIFICATION	DATE	ECN	APVD
C	Renamed circuit breakers. Revised and added note on ID fan connection to TB29 and TB36T. Added clarity to expansion module.	12-10-23	5116	LC

Client Wiring	Drawn: L.C	Date: 22-05-20	Approved: <i>Pyy</i>
---------------	------------	----------------	----------------------

©temperzone Ltd 2022	Drawing No: 291-003-281	Rev: C
temperzone	Wiring Schematic	SHEET 5 OF 8

0 1 2 3 4 5 6 7 8 9

NOTE: THE FOLLOWING FANS CONNECTIONS APPLY, DEPENDING ON THE MAKE OF FANS INSTALLED IN THE UNIT.

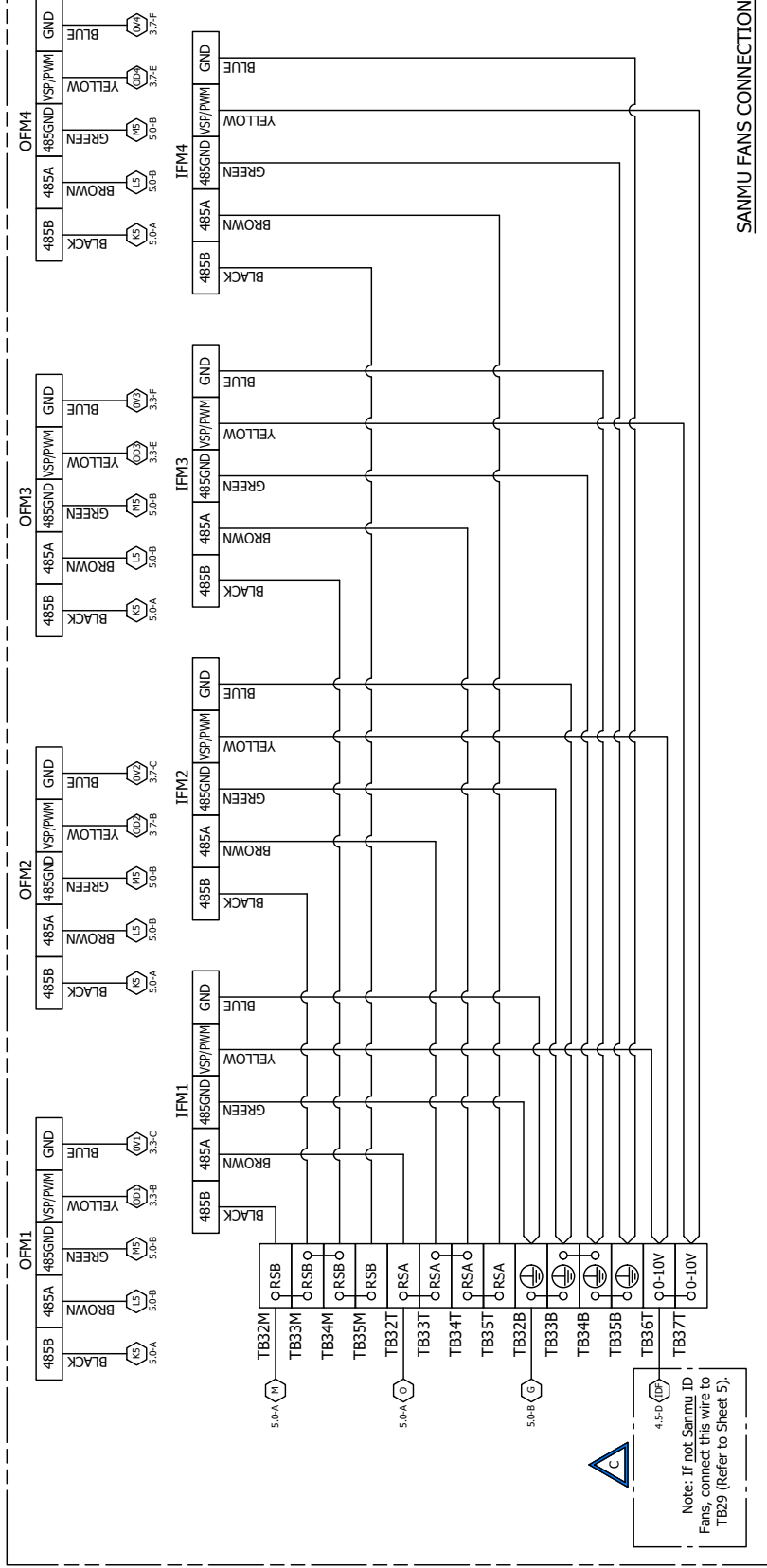


REV	MODIFICATION			DATE	ECN	APVD
C	Renamed circuit breakers. Revised and added note on ID fan connection to TB29 and TB36T. Added clarity to expansion module.			12-10-23	5116	LC
©temperzone Ltd 2022				Drawn: L.C	Date: 22-05-20	Approval: <i>Pyu</i>
Client Wiring				Title: OPA1410 / 1710 / 2110RLTM4FDPO-S1 R32 UC8		
				Wiring Schematic		
				Drawing No: 291-003-281		
				SHEET 6 OF 8		
				Rev: C		



0 1 2 3 4 5 6 7 8 9

NOTE: THE FOLLOWING FANS CONNECTIONS APPLY, DEPENDING ON THE MAKE OF FANS INSTALLED IN THE UNIT.



SANMU FANS CONNECTIONS

REV	MODIFICATION	DATE	ECN	APVD
C	Renamed circuit breakers. Revised and added note on ID fan connection to TB29 and TB36T. Added clarity to expansion module.	12-10-23	5116	LC

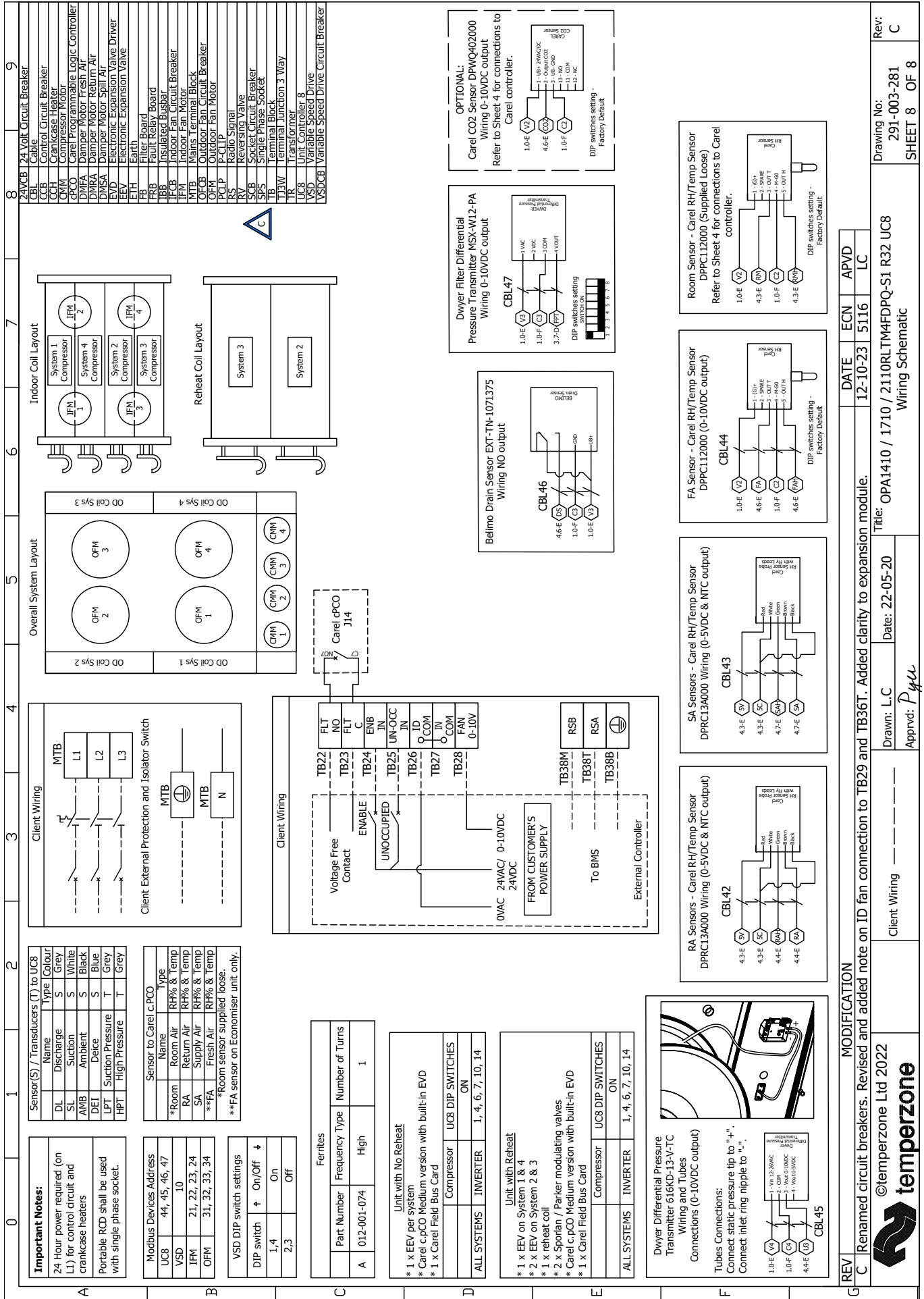
©temperzone Ltd 2022



Client Wiring _____
 Drawn: L.C
 Date: 22-05-20
 Approved: *Pyll*

Title: OPA1410 / 1710 / 2110RLTM4FDPO-S1 R32 UC8
 Wiring Schematic

Drawing No: 291-003-281
 SHEET 7 OF 8
 Rev: C



MODIFICATION

REV	DATE	ECN	APVD
C	12-10-23	5116	LC

Renamed circuit breakers. Revised and added note on ID fan connection to TB29 and TB36T. Added clarity to expansion module.

Client Wiring -----

Drawn: L.C Date: 22-05-20

Approved: *Pylu*

Title: OPA1410 / 1710 / 2110RLTM4FDPQ-S1 R32 UC8

Wiring Schematic

Drawing No: 291-003-281

Rev: C

temperzone

24 Hour power required (on L1) for control circuit and crankcase heaters

Portable RCD shall be used with single phase socket.

Sensor(S) / Transducers (T) to UC8	Name	Type	Colour
DL	Discharge	S	Grey
SL	Suction	S	White
AMB	Ambient	S	Black
DEI	Deice	S	Blue
LPT	Suction Pressure	T	Grey
HPT	High Pressure	T	Grey

Modbus Devices Address	Name	Type
UC8 44, 45, 46, 47	Room Air	RH% & Temp
10	Return Air	RH% & Temp
IFM 21, 22, 23, 24	Supply Air	RH% & Temp
OFM 31, 32, 33, 34	Fresh Air	RH% & Temp

VSD DIP switch settings

DIP switch	On/Off
1,4	On
2,3	Off

Part Number	Frequency	Type	Number of Turns
A 012-001-074	High		1

Unit with No Reheat

- * 1 x EEV per system
- * Carel cPCO Medium version with built-in EVD
- * 1 x Carel Field Bus Card

Compressor	UC8 DIP SWITCHES
ALL SYSTEMS	INVERTER 1, 4, 6, 7, 10, 14

Unit with Reheat

- * 1 x EEV on System 1 & 4
- * 2 x EEV on System 2 & 3
- * 1 x reheat coil
- * 2 x Sporlan / Parker modulating valves
- * Carel cPCO Medium version with built-in EVD
- * 1 x Carel Field Bus Card

Compressor	UC8 DIP SWITCHES
ALL SYSTEMS	INVERTER 1, 4, 6, 7, 10, 14

Dwyer Differential Pressure Transmitter 616KD-13-V-TC Wiring and Tubes Connections (0-10VDC output)

Tubes Connections:
 Connect static pressure tap to "s".
 Connect inlet ring nipple to "i".

CBL45