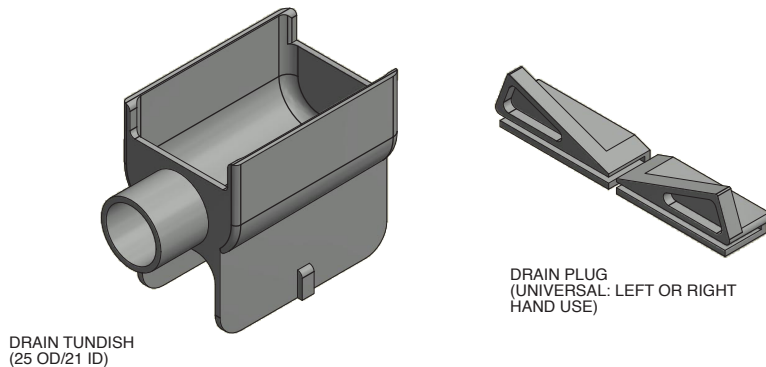


# Drain Adaptor Kit

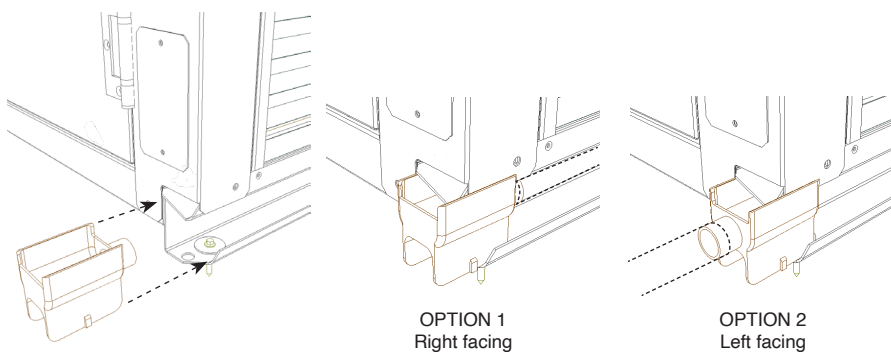
## for Heat Pump Water Heaters

## Installation Instructions

**Fig. 1 Components**

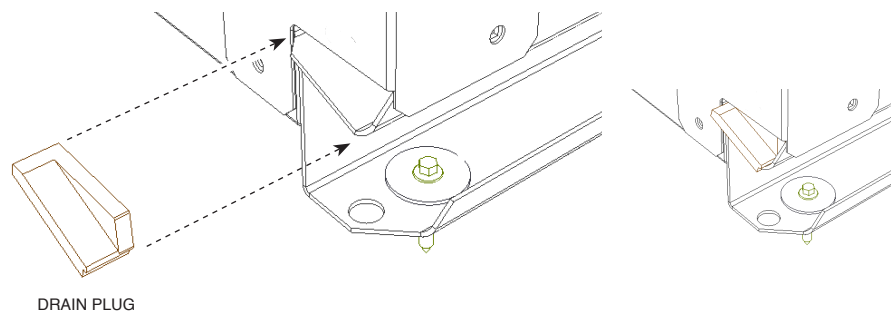


**Fig. 2 Tundish Positioning**



**Fig. 3 Plug Positioning**

Opposite end of drain rail



**Note**

Materials and specifications subject to change without notice due to the manufacturer's ongoing research and development programme.

**GENERAL**

During heating, heat pump water heating units naturally produce condensation on the coil fins which drains into the bottom of the unit. This condensation can cause a problem if it has nowhere to drain away to and is left to pool or freeze on the ground.

The optional drain adaptor kit (060-000-437) is designed to provide a convenient connection point for a condensate drainage pipe (ID 25mm) that can direct water to the nearest suitable drain.

**Compatibility**

The kit is compatible with Temperzone range of heat pump water heaters (MWH/MWP/MWR/MWS/MWU). Four fan models (70kW+) require two drain adaptor kits.

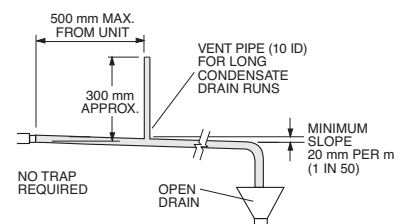
**COMPONENTS**

Check that the following items are supplied and are in good order:

1. Drain tundish (x1)
2. Universal plug left/right (1 of each) (snap in the middle to separate).

**INSTALLATION**

1. Check that the unit is installed level.
2. Mount the drain tundish, as shown in figure 2, at the lowest end of the unit. The tundish is reversible, ie can be positioned outlet facing in or out, depending on which way you want to run the drain line.
3. Insert the appropriate left or right plug in the other end of the drain rail (refer fig.3).
4. Secure a suitable drain pipe (ID 25mm) to the outlet.
5. Use a silicon sealer to fill any gaps between the kit parts and the unit, and to hold them in place.
6. The drain should have a slope of at least 1 in 50 and must not be piped to a level above the unit drain tray. Fit a vent pipe within 500 mm of the unit.



7. Check the drain by pouring water into the drain tray and ensuring that it clears.