

<b>Model</b>	<b>OPA 250RLTFPQ-DZ-S3</b>
Configuration	Horizontal Supply Air + Economiser + Viking
Item No. (Standard / Opposite Hand)	877-025-701-002 / 877-025-710-002
Configuration	Downward Supply Air + Economiser + Viking
Item No. (Standard / Opposite Hand)	877-025-723-002 / 877-025-732-002
Cooling capacity (net) <sup>1</sup>	24.6 kW
Cooling capacity range (gross)	10.1 ~ 29.1 kW
Heating capacity <sup>1</sup>	26.9 kW
Heating capacity range	6.5 ~ 29.3 kW
Electrical input - cooling	7.7 kW
Electrical input - heating	8.1 kW
EER / AEER (cooling) <sup>1</sup>	3.20 / 3.18
COP / ACOP (heating) <sup>1</sup>	3.33 / 3.31
Unit Controller	UC8
Refrigerant	R32
Refrigerant Charge	8.0 kg
Minimum floor area (@2.4m below ceiling diffuser)	34.0 m <sup>2</sup>
Compressor oil type	POE-46 (NXG5020 or equivalent)
Compressor type	inverter scroll
Power supply <sup>2</sup>	3 ph. 400 V ac 50 Hz + N + E
Compressor (3ph.) run amps <sup>1</sup>	9.5 A/ph
Compressor + VSD circuit breaker	40 A
Indoor fan motor size	EC plug 450 dia. 3.94kW
Nominal air flow at rating conditions	1250 l/s
Indoor fan motor (3ph.) - full load	6 A/ph.
Outdoor fan motor (3ph.) - full load	4.6 A/ph.
Outdoor fan capacitor size	n/a
Outdoor fan max. static pressure@ 3000 l/s	125 Pa
Control circuit breaker (internal)	2 A
Auxiliary power outlet (1ph.) overload setting	10 A
Running amps (total system) <sup>1</sup>	12.5 / 11.5 / 13 A
Max. running amps (total system)	24 A/ph.
RCD type recommended	type B, 30mA, 3 pole
Net weight c/w Economiser	556 kg
Shipping weight c/w Economiser	612 kg

**Accessories:**

Filters - rated EU4/G4 disposable	019-400-005 600x500x50 (x2) <sup>3</sup>
Filters - rated EU4/G4 washable	019-000-034 600x500x50 (x2) <sup>3</sup>
Drain tundish (set of 2)	060-000-653

**Viking Controls:**

SMT-920 Controller + RS-SS Outdoor Air Sensor	supplied
RS-SSD Room temperature controller	supplied

Refer to temperzone for other options.

<sup>1</sup> Tested in accordance with AS/NZS 3823

<sup>2</sup> Voltage range: 380-440V

<sup>3</sup> Filter sizes are nominal; refer to Temperzone for actual measurements.

# DIMENSIONS (mm)

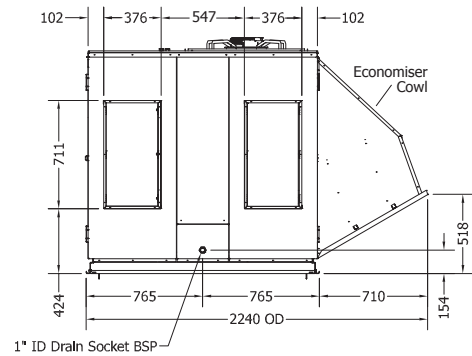
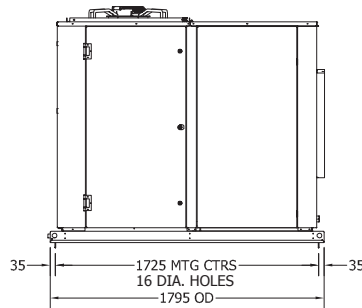
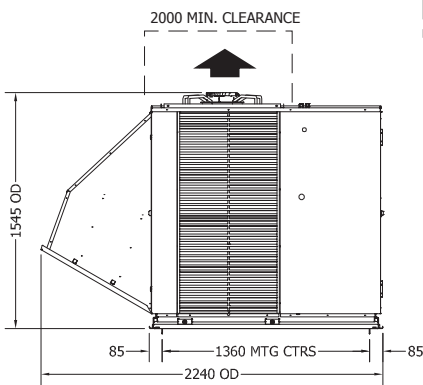
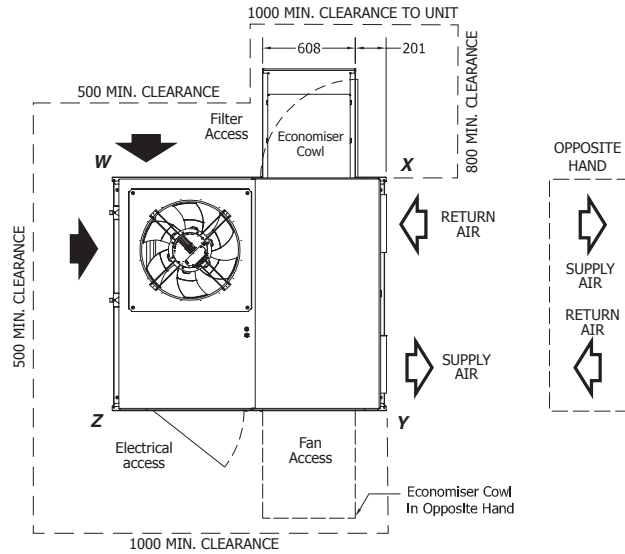


## OPA 250RLTFP01-DZ-S3 Standard Hand, Horizontal Supply

Not to Scale

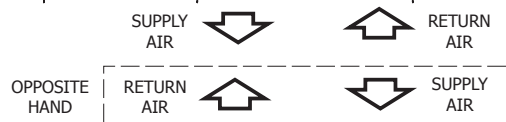
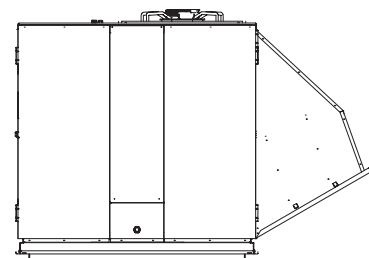
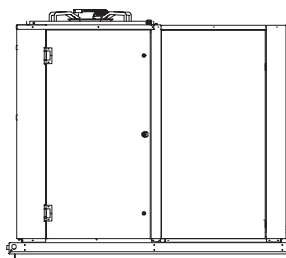
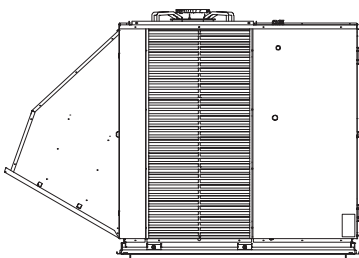
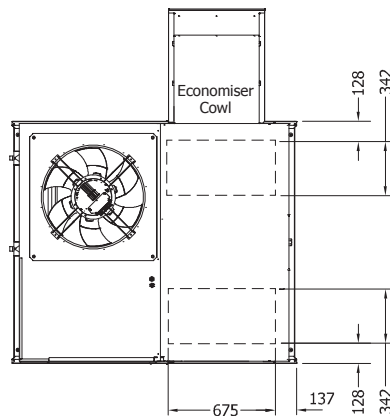
Multiple units side-by-side:  
Allow a minimum of 1m  
between coil faces.

	POINT LOADS (kg)			
	W	X	Y	Z
Std Hd cw Ec	109	173	109	163
Op Hd cw Ec	109	109	173	163



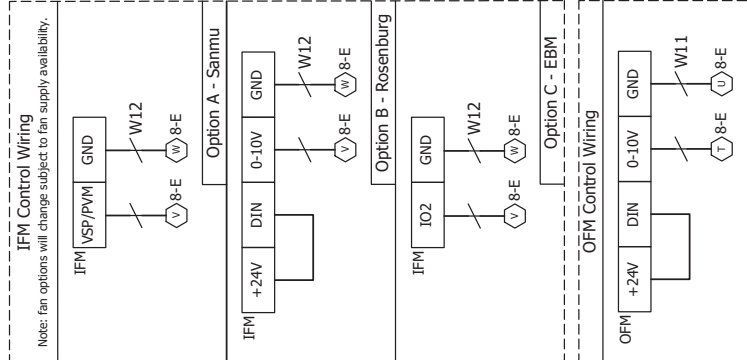
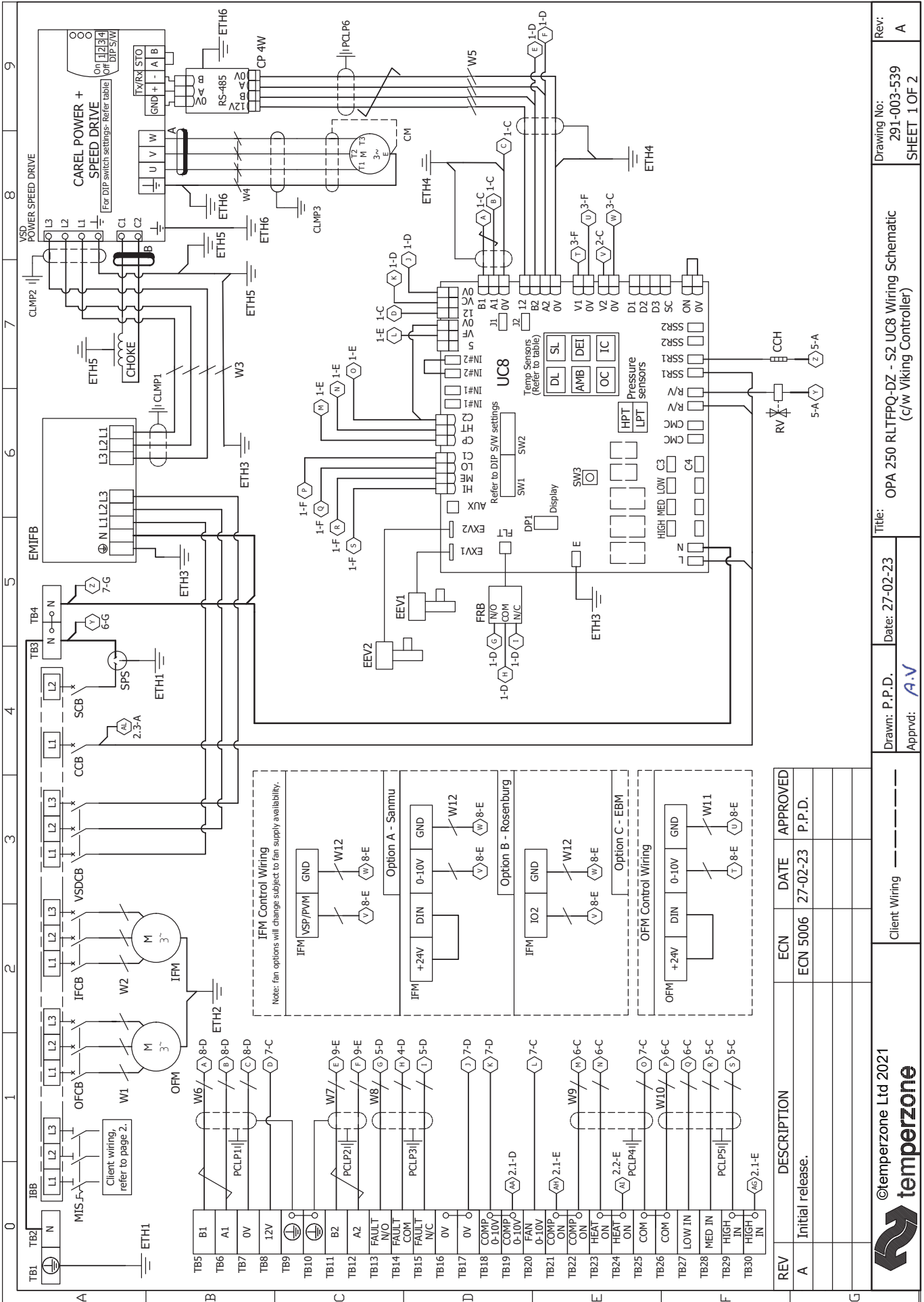
## OPA 250RLTFP23-DZ-S3 Standard Hand, Downward Supply

Clearances as above



### NOTE

Specifications are subject to change without notice due to the manufacturer's ongoing research and development programme.



REV	DESCRIPTION	ECN	DATE	APPROVED
A	Initial release.	ECN 5006	27-02-23	P.P.D.



©temperzone Ltd 2021

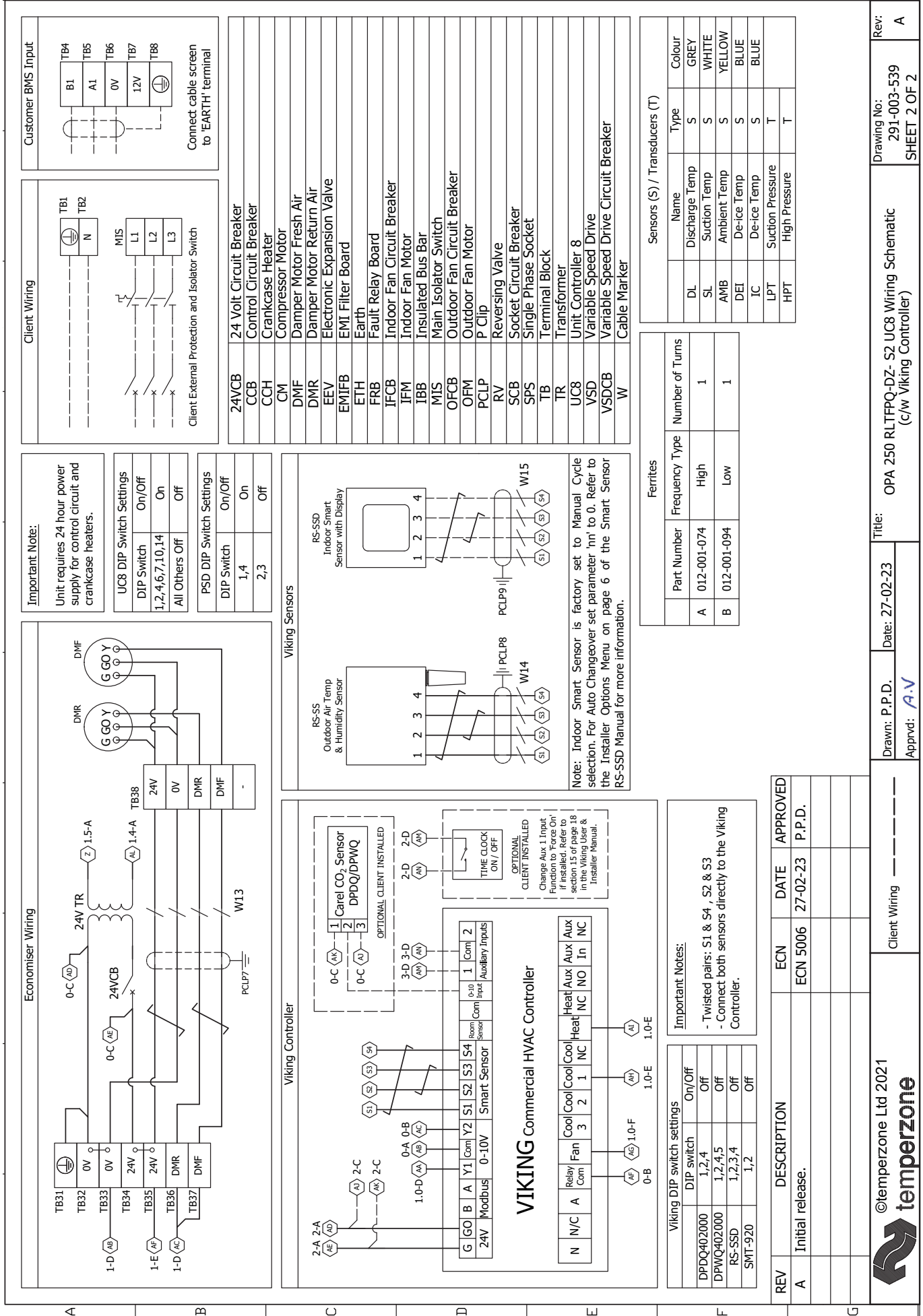
Client Wiring

Drawn: P.P.D. Date: 27-02-23

Title: OPA 250 RLTFPO-DZ - S2 UC8 Wiring Schematic (c/w Viking Controller)

Drawing No: 291-003-539 SHEET 1 OF 2

Rev: A



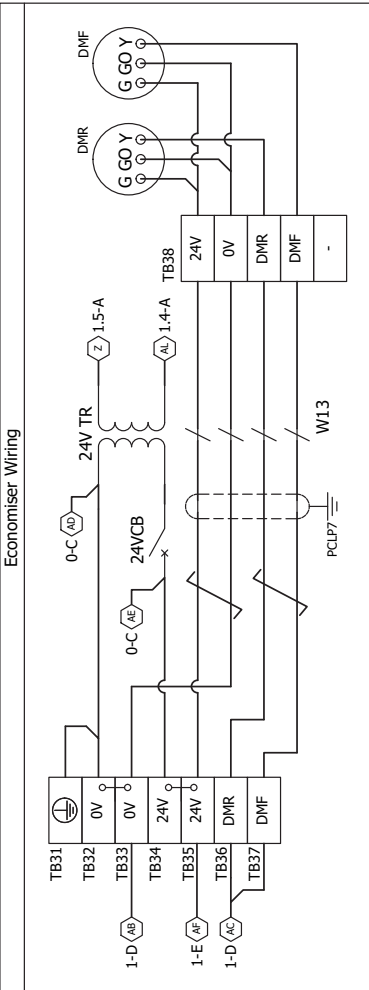
**Important Note:**

Unit requires 24 hour power supply for control circuit and crankcase heaters.

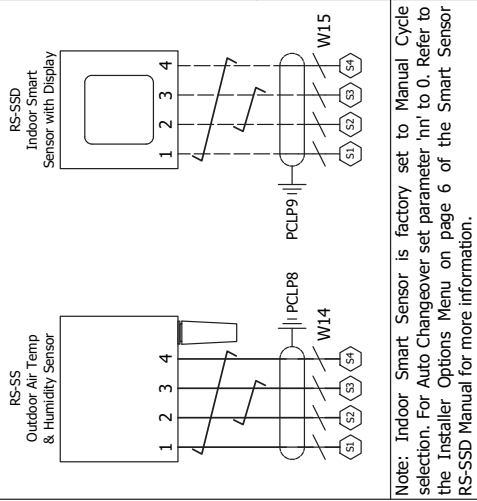
UC8 DIP Switch Settings	
DIP Switch	On/Off
1,2,4,6,7,10,14	On
All Others	Off

PSD DIP Switch Settings	
DIP Switch	On/Off
1,4	On
2,3	Off

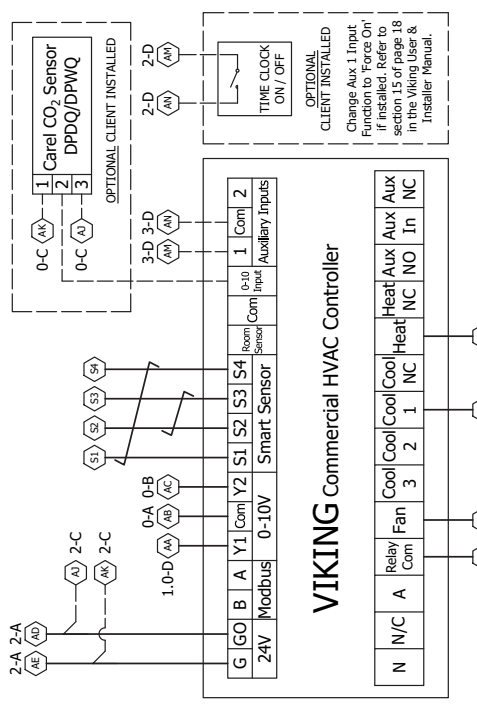


**Viking Sensors**



Note: Indoor Smart Sensor is factory set to Manual Cycle selection. For Auto Changeover set parameter 'nr' to 0. Refer to the Installer Options Menu on page 6 of the Smart Sensor RS-SSD Manual for more information.

**Viking Controller**



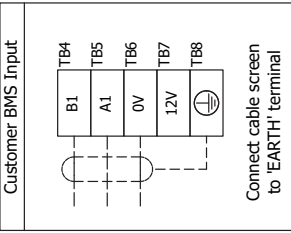
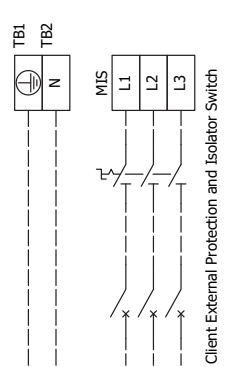
**Ferrites**

Part Number	Frequency	Type	Number of Turns
A 012-001-074	High		1
B 012-001-094	Low		1

**Sensors (S) / Transducers (T)**

Name	Type	Colour
DL Discharge Temp	S	GREY
SL Suction Temp	S	WHITE
AMB Ambient Temp	S	YELLOW
DEI De-ice Temp	S	BLUE
IC De-ice Temp	S	BLUE
LPT Suction Pressure	T	
HPT High Pressure	T	

**Client Wiring**



**Viking DIP switch settings**

DIP switch	On/Off
DPDQ402000 1,2,4	Off
DPWQ402000 1,2,4,5	Off
RS-SSD 1,2,3,4	Off
SMT-920 1,2	Off

**Important Notes:**

- Twisted pairs: S1 & S4, S2 & S3
- Connect both sensors directly to the Viking Controller.

REV	DESCRIPTION	ECN	DATE	APPROVED
A	Initial release.	ECN 5006	27-02-23	P.P.D.

©temperzone Ltd 2021

Drawn: P.P.D. Date: 27-02-23  
 Apprvd: A.V

Title: OPA 250 RLTPQ-DZ- S2 UC8 Wiring Schematic (c/w Viking Controller)

Drawing No: 291-003-539  
 SHEET 2 OF 2  
 Rev: A