

Model	OPA 450RLTFPQ-S2
Configuration	Horizontal Supply Air
Item No. (Standard / Opposite Hand)	876-045-701 / 876-045-710
Unit c/w Fresh Air Cowl (OPA 450RLTFPQ-C)	878-045-701 / 878-045-710
Configuration	Downward Supply Air
Item No. (Standard / Opposite Hand)	876-045-723 / 876-045-732
Unit c/w Fresh Air Cowl (OPA 450RLTFPQ-C)	878-045-723 / 878-045-732
Cooling capacity (net) *	43.3 kW
Cooling capacity range (gross)	18.2 ~ 52.4 kW
Heating capacity *	44.4 kW
Heating capacity range	16.5 ~ 54.5 kW
Electrical input - cooling	14.5 kW
Electrical input - heating	14.2 kW
EER / AEER (cooling)*	2.99 / 2.98
COP / ACOP (heating) *	3.14 / 3.13
Unit Controller	UC8
Refrigerant	R32
Refrigerant Charge	10.5 kg
Minimum floor area (@2.4m below ceiling diffuser)	58.6 m ²
Compressor oil type	POE-46 (NXG5020 or equivalent)
Compressor type	inverter scroll
Power supply **	3 ph. 400 V ac 50 Hz + N + E
Compressor (3ph.) run amps *	19.5 A/ph.
Compressor + VSD circuit breaker	50 A
Indoor fan motor size	EC plug 500 dia. 3.58kW
Nominal air flow *	2,200 l/s
Indoor fan motor (3ph.) - full load	5.5 A/ph.
Outdoor fan motor (3ph.) - full load	4.2 A/ph.
Outdoor fan type	EC axial
Outdoor fan max. static pressure @ 5500 l/s	190 Pa
Control circuit breaker (internal)	2 A
Auxiliary power outlet (1ph.) overload setting	10 A
Running amps (total system)*	24 / 22 / 24 A
Max. running amps (total system)	40 A/ph.
RCD type recommended	type B, 30mA, 3 pole
Net weight	643 kg
Shipping Weight	708 kg
Net Weight c/w Fresh Air Cowl option	652 kg

Accessories:

Filters - rated EU4/G4 disposable	019-400-004 500x500x50 (x4)
Filters - rated EU4/G4 washable	019-000-033 500x500x50 (x4)
Drain tundish (set of 2)	060-000-653

Optional Controls:

Climate Touch CTC-1 Room temp. controller	201-000-792
TZT-100 Room temperature controller	201-000-350

Refer to temperzone for other options.

* Tested in accordance with AS/NZS 3823

** Voltage range: 380-440V

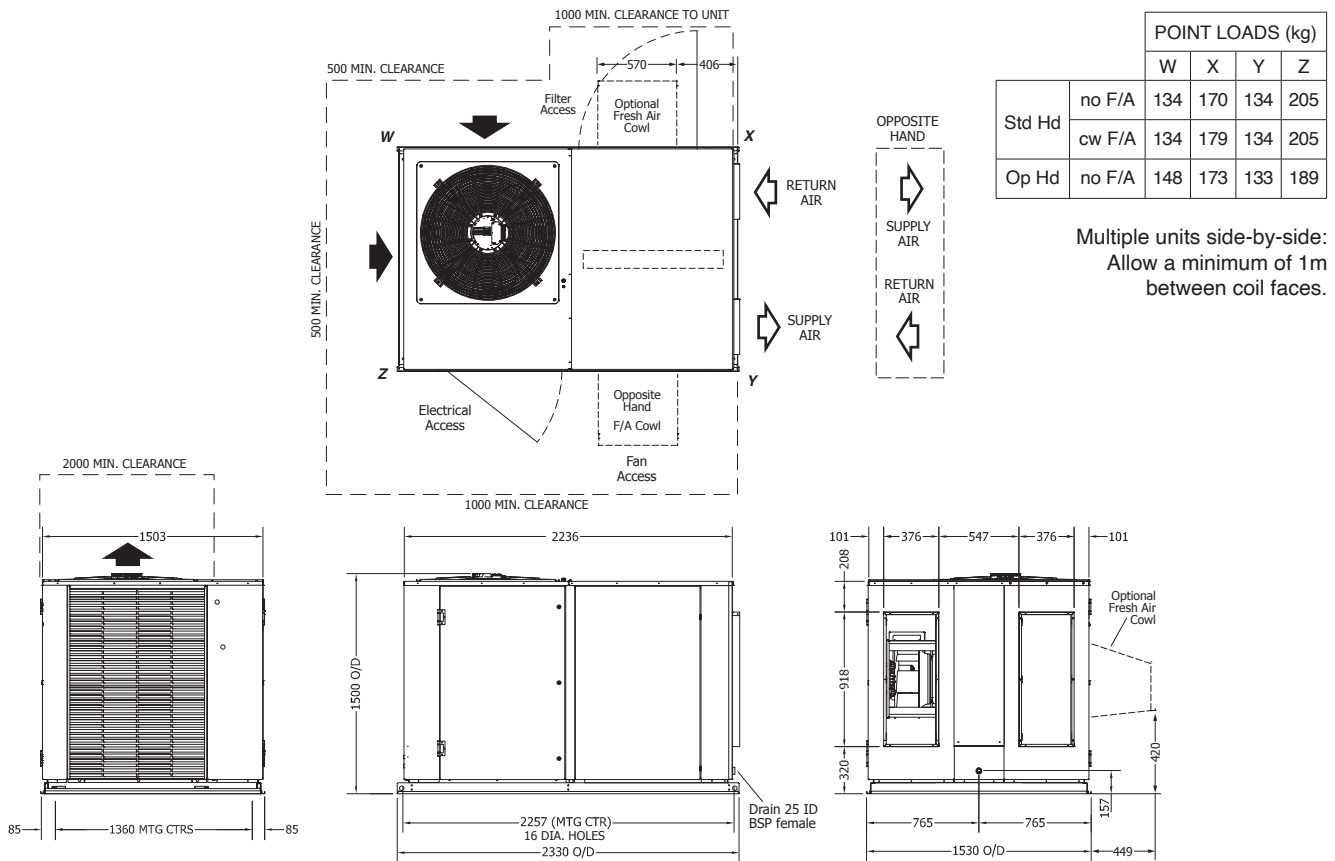
20053

DIMENSIONS (mm)

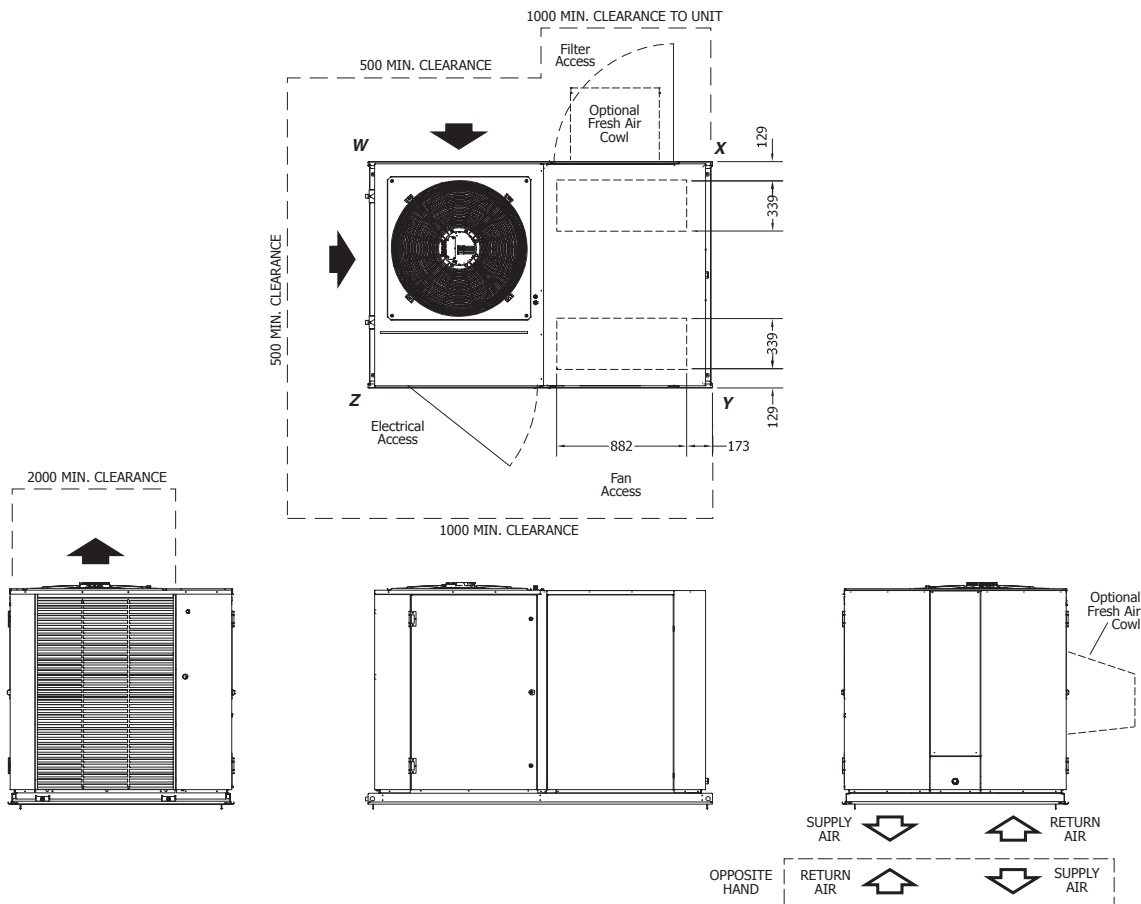


Not to Scale

OPA 450RLTFP01(-C)-S2 Standard Hand, Horizontal Supply

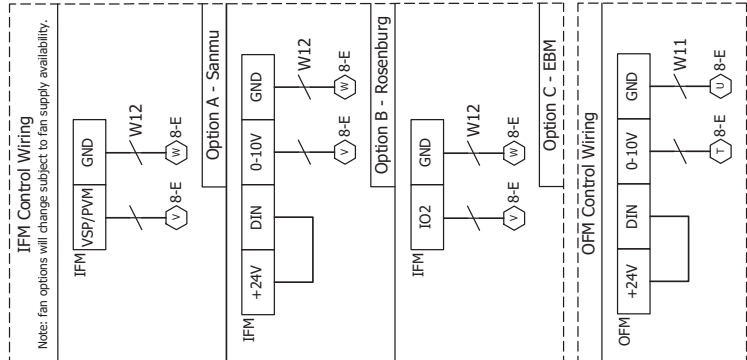
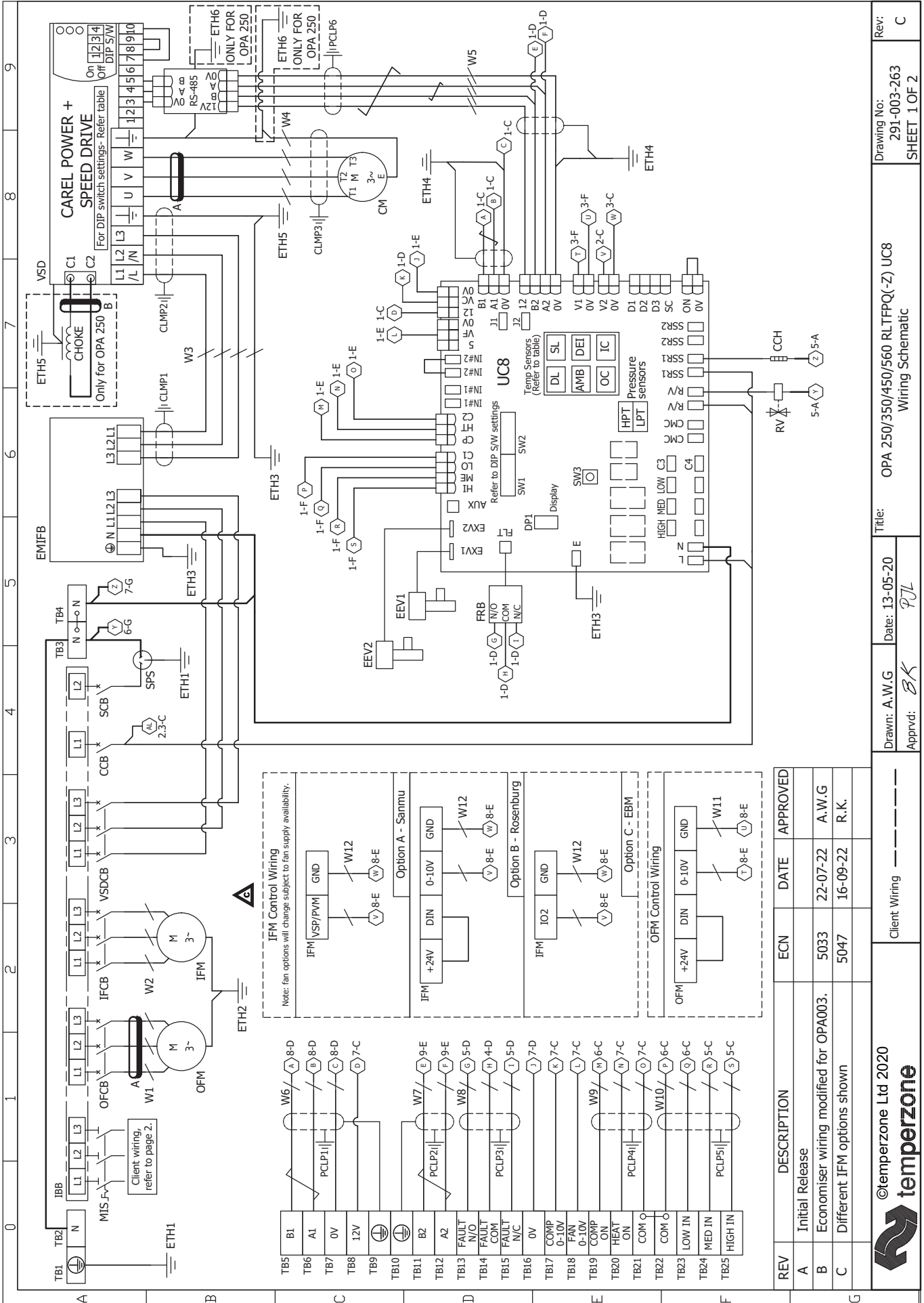


OPA 450RLTFP23(-C)-S2 Standard Hand, Downward Supply



NOTE

Specifications are subject to change without notice due to the manufacturer's ongoing research and development programme.



REV	DESCRIPTION	ECN	DATE	APPROVED
A	Initial Release			
B	Economiser wiring modified for OPA003.	5033	22-07-22	A.W.G
C	Different IFM options shown	5047	16-09-22	R.K.


 ©temperzone Ltd 2020
 Client Wiring _____
 Title: OPA 250/350/450/560 RLTFPQ(-Z) UC8 Wiring Schematic
 Date: 13-05-20
 Drawn: A.W.G
 Approved: *BK*
 Drawing No: 291-003-263
 SHEET 1 OF 2
 Rev: C

0	1	2	3	4	5	6	7	8	9																																
A	Client Wiring		Customer BMS Input		Ferrites																																				
B	<p>Client External Protection and Isolator Switch</p>		<p>Connect cable screen to 'EARTH' terminal</p>		<table border="1" style="width:100%; border-collapse: collapse;"> <thead> <tr> <th>Part Number</th> <th>Frequency Type</th> <th>Number of Turns</th> </tr> </thead> <tbody> <tr> <td>A 012-001-074</td> <td>High</td> <td>1</td> </tr> <tr> <td>B 012-001-094</td> <td>Low</td> <td>1</td> </tr> </tbody> </table> <p>Important Note! Ferrite 'A' on OD Fan circuit breaker for OPA 450 and 560 only.</p>		Part Number	Frequency Type	Number of Turns	A 012-001-074	High	1	B 012-001-094	Low	1																										
Part Number	Frequency Type	Number of Turns																																							
A 012-001-074	High	1																																							
B 012-001-094	Low	1																																							
C	Economiser Option								W																																
D	Sensors (S) / Transducers (T)								VSD																																
<table border="1" style="width:100%; border-collapse: collapse;"> <thead> <tr> <th>DL</th> <th>Name</th> <th>Type</th> <th>Colour</th> </tr> </thead> <tbody> <tr> <td>SL</td> <td>Discharge Temp</td> <td>S</td> <td>GREY</td> </tr> <tr> <td>AMB</td> <td>Suction Temp</td> <td>S</td> <td>WHITE</td> </tr> <tr> <td>DEI</td> <td>Ambient Temp</td> <td>S</td> <td>YELLOW</td> </tr> <tr> <td>IC</td> <td>De-ice Temp</td> <td>S</td> <td>BLUE</td> </tr> <tr> <td>LPT</td> <td>De-ice Temp</td> <td>S</td> <td>BLUE</td> </tr> <tr> <td>HPT</td> <td>Suction Pressure</td> <td>T</td> <td></td> </tr> <tr> <td></td> <td>High Pressure</td> <td>T</td> <td></td> </tr> </tbody> </table>										DL	Name	Type	Colour	SL	Discharge Temp	S	GREY	AMB	Suction Temp	S	WHITE	DEI	Ambient Temp	S	YELLOW	IC	De-ice Temp	S	BLUE	LPT	De-ice Temp	S	BLUE	HPT	Suction Pressure	T			High Pressure	T	
DL	Name	Type	Colour																																						
SL	Discharge Temp	S	GREY																																						
AMB	Suction Temp	S	WHITE																																						
DEI	Ambient Temp	S	YELLOW																																						
IC	De-ice Temp	S	BLUE																																						
LPT	De-ice Temp	S	BLUE																																						
HPT	Suction Pressure	T																																							
	High Pressure	T																																							
E	SAT-3 & TZT100 connection to UC8 terminals								VSD																																
<table border="1" style="width:100%; border-collapse: collapse;"> <thead> <tr> <th>UC8 terminals</th> <th>SAT-3</th> <th>TZT100 Terminals</th> </tr> </thead> <tbody> <tr> <td>I2</td> <td>12V</td> <td>24</td> </tr> <tr> <td>B2</td> <td>B</td> <td>B</td> </tr> <tr> <td>A2</td> <td>A</td> <td>A</td> </tr> <tr> <td>0V</td> <td>GND</td> <td>24C</td> </tr> <tr> <td colspan="3">Shield to 0V</td> </tr> </tbody> </table>										UC8 terminals	SAT-3	TZT100 Terminals	I2	12V	24	B2	B	B	A2	A	A	0V	GND	24C	Shield to 0V																
UC8 terminals	SAT-3	TZT100 Terminals																																							
I2	12V	24																																							
B2	B	B																																							
A2	A	A																																							
0V	GND	24C																																							
Shield to 0V																																									
F	UC8 DIP switch settings								VSD																																
<table border="1" style="width:100%; border-collapse: collapse;"> <thead> <tr> <th colspan="2">UC8 DIP switch settings</th> <th colspan="2">PSD DIP switch settings</th> </tr> <tr> <th>DIP switch</th> <th>On/Off</th> <th>DIP switch</th> <th>On/Off</th> </tr> </thead> <tbody> <tr> <td>1,2,4,6,7,10,14</td> <td>On</td> <td>1,4</td> <td>On</td> </tr> <tr> <td>All Others Off</td> <td>Off</td> <td>2,3</td> <td>Off</td> </tr> </tbody> </table>										UC8 DIP switch settings		PSD DIP switch settings		DIP switch	On/Off	DIP switch	On/Off	1,2,4,6,7,10,14	On	1,4	On	All Others Off	Off	2,3	Off																
UC8 DIP switch settings		PSD DIP switch settings																																							
DIP switch	On/Off	DIP switch	On/Off																																						
1,2,4,6,7,10,14	On	1,4	On																																						
All Others Off	Off	2,3	Off																																						
G	Revision Table								C																																
<table border="1" style="width:100%; border-collapse: collapse;"> <thead> <tr> <th>REV</th> <th>DESCRIPTION</th> <th>ECN</th> <th>DATE</th> <th>APPROVED</th> </tr> </thead> <tbody> <tr> <td>A</td> <td>Initial Release</td> <td></td> <td></td> <td></td> </tr> <tr> <td>B</td> <td>Economiser wiring modified for OPA003.</td> <td>5033</td> <td>22-07-22</td> <td>A.W.G</td> </tr> <tr> <td>C</td> <td>Different IFM options shown</td> <td>5047</td> <td>16-09-22</td> <td>R.K.</td> </tr> </tbody> </table>										REV	DESCRIPTION	ECN	DATE	APPROVED	A	Initial Release				B	Economiser wiring modified for OPA003.	5033	22-07-22	A.W.G	C	Different IFM options shown	5047	16-09-22	R.K.												
REV	DESCRIPTION	ECN	DATE	APPROVED																																					
A	Initial Release																																								
B	Economiser wiring modified for OPA003.	5033	22-07-22	A.W.G																																					
C	Different IFM options shown	5047	16-09-22	R.K.																																					
<p>Important Note! Unit requires 24 hour power supply for control circuit and crankcase heaters</p>								<p>©temperzone Ltd 2020</p>																																	
<p>Drawn: A.W.G Date: 13-05-20</p> <p>Apprvd: BK PJL</p>				<p>Title: OPA 250/350/450/560 RLTPFQ(-Z) UC8 Wiring Schematic</p>				<p>Drawing No: 291-003-263</p> <p>SHEET 2 OF 2</p>																																	