

SPECIFICATIONS



Indoor Unit (525-501-601)	ISD 380KBY
Outdoor Unit (536-501-201)	OSA 380RKTBGV (digital)
Cooling capacity (net) to AS/NZS 3823 T1	36.2 kW
Heating capacity H1	37.2 kW
Electrical input - cooling	10.7 kW
Electrical input - heating	10.7 kW
EER / AEER (cooling)	3.39 / 3.37
COP / ACOP (heating)	3.49 / 3.47
Unit Controllers	UC6
Refrigerant	R410A
Refrigerant precharge for 10 m	6.55 kg/sys.
Additional charge req'd for over 10 m	100 g/m
Base refrigerant charge OSA	5.55 kg
Maximum line length	60 m
Separation limit: OSA above ISD	20 m
Separation limit: OSA below ISD	20 m
Suction line	22 mm OD (x2)
Liquid line	13 mm OD (x2)
Compressor oil type	POE 32-3MAF (or equivalent)
Additional oil charge over 40m line length	20 ml/m
Compressor type	digital scroll + fixed
Power supply via OSA	3 ph. 400V ac 50Hz + N + E
Compressor (3ph.) run amps at rating cond.	8 A (x2)
Compressor overload setting	11.5 A (x2)
Indoor fan motor size	EC 1250W (x2)
Nominal airflow at rating conditions	2100 l/s
Indoor fan motor (1ph.) - full load	6 A (x2)
Outdoor fan motor (1ph.) - full load	1.7 A (x4)
Outdoor fan capacitor size	8 μ fd (x4)
Control circuit breaker (internal)	2 A
Auxillary power outlet (1ph.)overload setting	10 A
Running amps (total system)	19 / 20 / 15 A
Max. running amps (total system)	32 / 25 / 20 A
RCD type recommended	type A, 30mA, 3 pole
Net weight ISD	203 kg
Net weight OSA	458 kg

Accessories:

Spring Mounting Kit	307-341-101
Filter Box c/w EU2/G2 rated filter ^(NZ Only)	525-501-605
ISD Replacement filter	119-000-032 (x3)
UC6 Service Interface tool	201-000-379

Optional Controls:

SAT-3 Room temperature controller	201-000-146
TZT-100 Room temperature controller	201-000-350

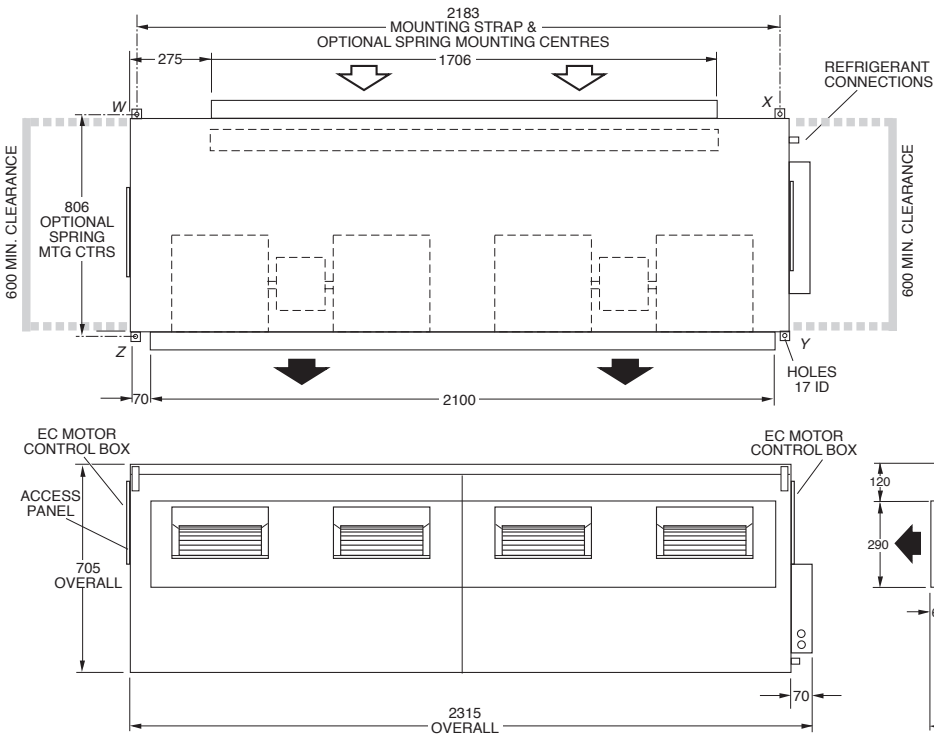
Refer to temperzone for other options, eg remote sensors, connection wires.

DIMENSIONS (mm)

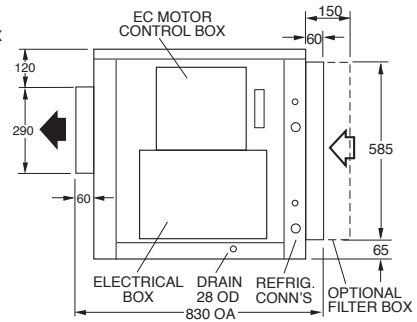


Not to Scale

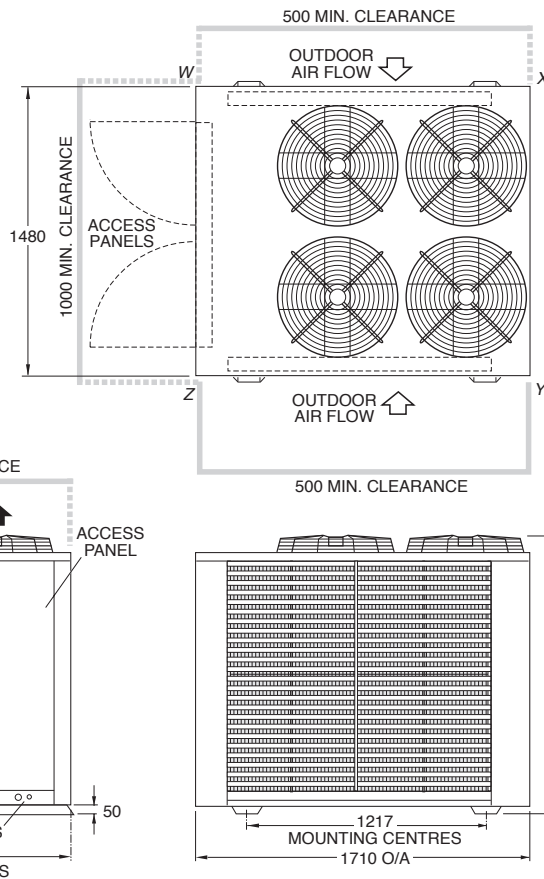
ISD 380KBY Indoor Unit



POINT LOADS (kg)			
W	X	Y	Z
44	48	58	53



OSA 380RKTBGV Outdoor Unit



POINT LOADS (kg)			
W	X	Y	Z
154	77	79	144

Recommended Connecting Pipe Sizes
 Suction : 22 mm OD
 Liquid : 13 mm OD

NOTE

Specifications are subject to change without notice due to the manufacturer's ongoing research and development programme.



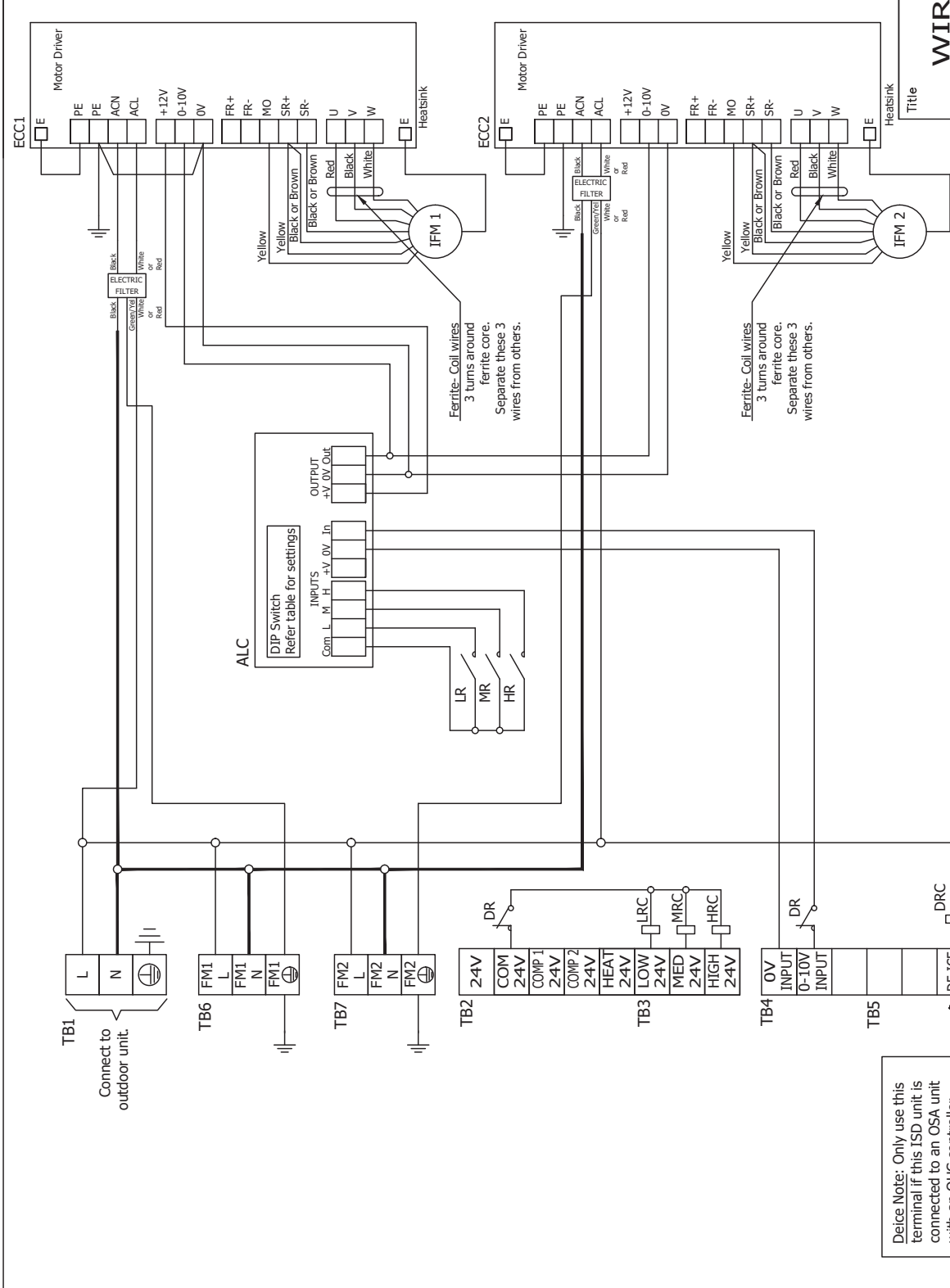
INDOOR UNIT WIRING

Indoor-Outdoor Connection Wiring: refer 'Installation & Maintenance' pamphlet.

ALC	Analogue Level Controller
DR	De-ice Relay
HR	Hi Speed Relay
IFM	Indoor Fan Motor
LR	Low Speed Relay
MR	Med Speed Relay

INDOOR FAN SPEED ALC DIP SETTINGS						
DIP Switch		RPM				
1	2	3	4	5	6	MIN MAX
ON	ON	OFF	OFF	OFF	900	1200
ON	ON	ON	OFF	OFF	1050	1350
ON	ON	OFF	ON	OFF	1000	1300
ON	OFF	ON	ON	OFF	825	1125

IFM amps (max) 8.0A each
 DO NOT USE ANY OTHER DIP SWITCH COMBINATIONS EXCEPT THOSE SHOWN IN THE TABLE ABOVE.
 SHADED AREA = DEFAULT FACTORY DIP SETTINGS
 DIP SWITCH 8 MUST BE ON FOR UNITS FITTED WITH ELECTRIC HEAT
 DIP SWITCH 7 ALWAYS OFF



Device Note: Only use this terminal if this ISD unit is connected to an OSA unit with an OUC controller

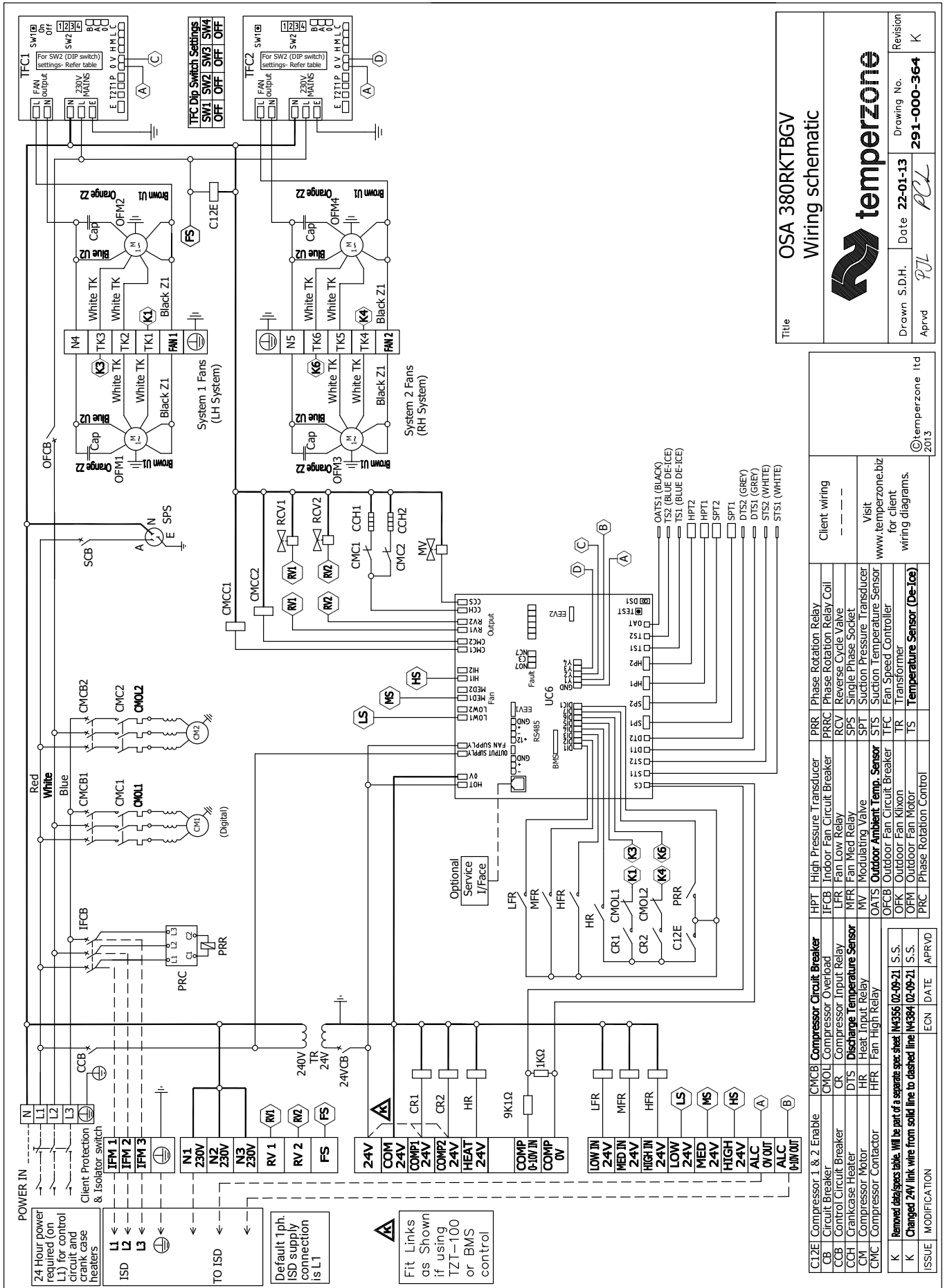
ISD 380KBY
WIRING SCHEMATIC

Drawn SDH Date 28-01-11 Drawing No. 525-504-602 Revision 1
 Aprvd SR *PCA*

I	ALC Version Upgraded; New DIP Settings	N4059	20-07-18	P.M.C
H	ECC 1260 RENAMED MOTOR DRIVER	N4013	15-01-18	L.O.L
G	Added terminal block numbers for new push-in TBs. TB1 L & E swap position.	N3994	06-10-17	L.O.L
ISSUE	MODIFICATION	ECN	DATE	APRVD

OUTDOOR UNIT WIRING

Indoor-Outdoor Connection Wiring: refer 'Installation & Maintenance' pamphlet, page 6.



Title
OSA 380RKTBGV
 Wiring schematic



Drawn S.D.H.	Date	Revision
APVd	22-01-13	Revision
		291-000-364
		K

ISSUE	MODIFICATION	ECN	DATE	APRVD
K	Removed labels table. Will be part of a separate spec sheet	M4356	02-09-21	S.S.
K	Changed 24V link wire from solid line to dashed line	M4384	02-09-21	S.S.

Client wiring	Client wiring
PRR	Phase Rotation Relay
PRRC	Phase Rotation Relay Coil
RCV	Reverse Cycle Valve
SPS	Single Phase Socket
SPT	Suction Pressure Transducer
STS	Suction Temperature Sensor
TFC	Fan Speed Controller
TR	Transformer
TS	Temperature Sensor (De-Ice)

Visit www.temperzone.biz for client wiring diagrams.