

SPECIFICATIONS



Indoor Unit (525-501-001 / 525-511-001)	ISD 380KB(H/V)-P
Outdoor Unit (536-501-201)	OSA 380RKTBGV (digital)
Cooling capacity (net) to AS/NZS 3823 T1	35.8 kW
Heating capacity H1	35.7 kW
Electrical input - cooling	11.1 kW
Electrical input - heating	11.3 kW
EER / AEER (cooling)	3.22 / 3.20
COP / ACOP (heating)	3.17 / 3.16
Unit Controllers	UC6
Refrigerant	R410A
Refrigerant precharge for 10 m	6.55 kg/sys.
Additional charge req'd for over 10 m	100 g/m
Base refrigerant charge OSA	5.55 kg/sys.
Maximum line length	60 m
Separation limit: OSA above ISD	20 m
Separation limit: OSA below ISD	20 m
Suction line	22 mm OD (x2)
Liquid line	13 mm OD (x2)
Compressor oil type	POE 32-3MAF (or equivalent)
Additional oil charge over 40m line length	20 ml/m
Compressor type	digital scroll + fixed
Power supply via OSA	3 ph. 400V ac 50Hz + N + E
Compressor (3ph.) run amps at rating cond.	8 A (x2)
Compressor overload setting	11.5 A (x2)
Indoor fan motor size	EC plug 2.4kW (x2)
Nominal airflow at rating conditions	2100 l/s
Indoor fan motor (3ph.) - full load	2.5 A/ph. (x2)
Outdoor fan motor (1ph.) - full load	1.7 A (x4)
Outdoor fan capacitor size	8 μ fd (x4)
Control circuit breaker (internal)	2 A
Auxillary power outlet (1ph.)overload setting	10 A
Running amps (total system)	17 / 22 / 17 A
Max. running amps (total system)	22 / 27 / 22 A
RCD type recommended	type A, 30mA, 3 pole
Net weight ISD	169 kg
Net weight OSA	458 kg

Accessories:

Spring Mounting Kit	307-341-101
Filter Box c/w EU2/G2 rated filter ^(NZ Only)	525-501-605
ISD Replacement filter	119-000-032 (x3)
UC6 Service Interface tool	201-000-379

Optional Controls:

SAT-3 Room temperature controller	201-000-146
TZT-100 Room temperature controller	201-000-350

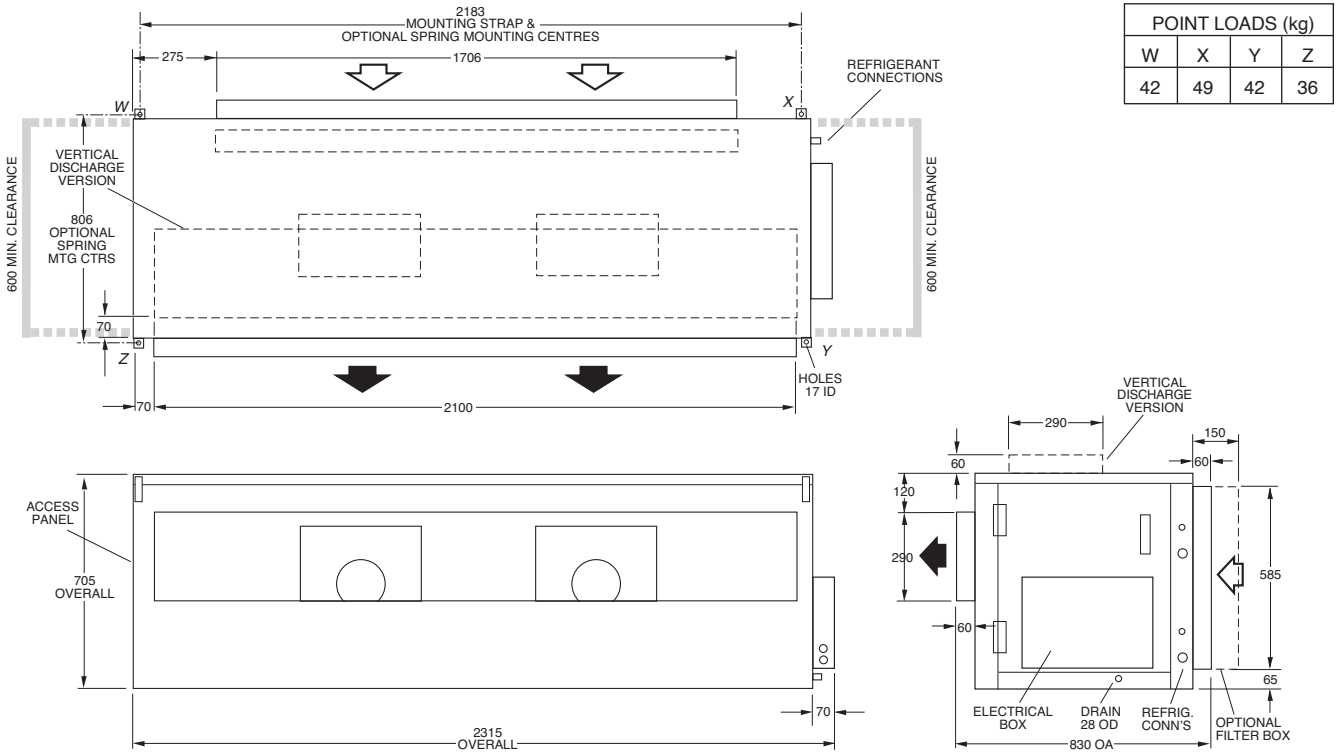
Refer to temperzone for other options, eg remote sensors, connection wires.

DIMENSIONS (mm)

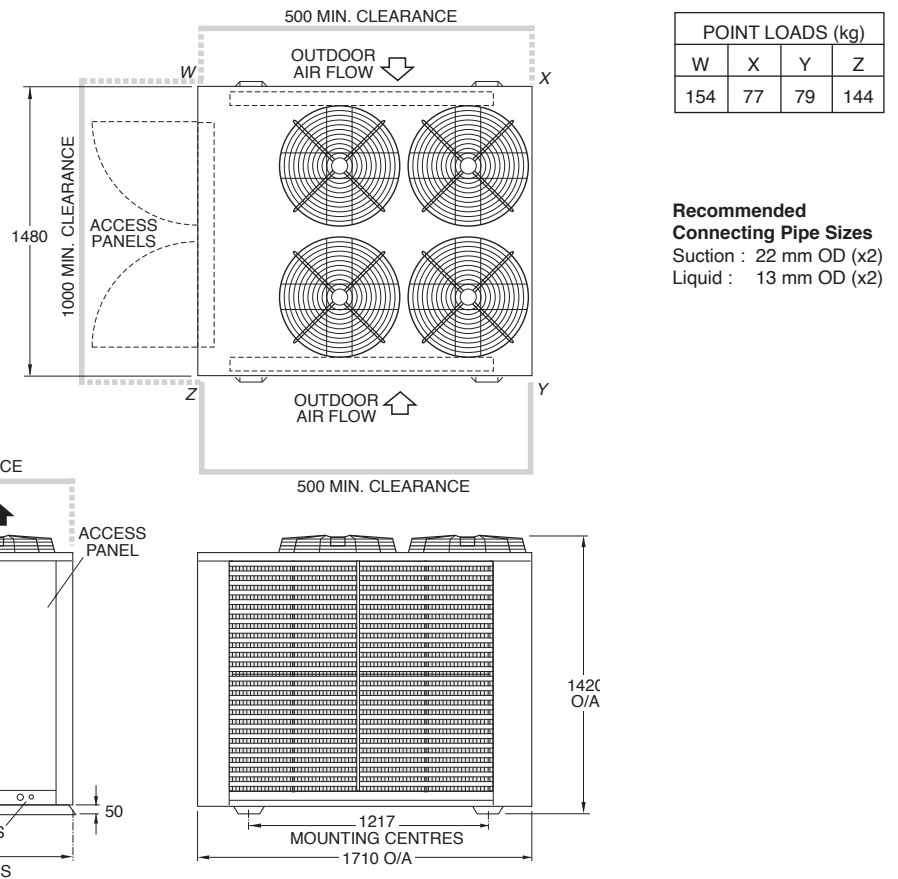


Not to Scale

ISD 380KB(H/V)-P Indoor Unit



OSA 380RKTBGV Outdoor Unit



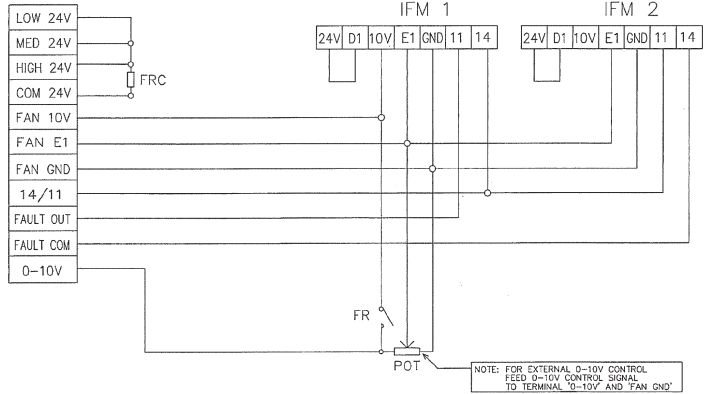
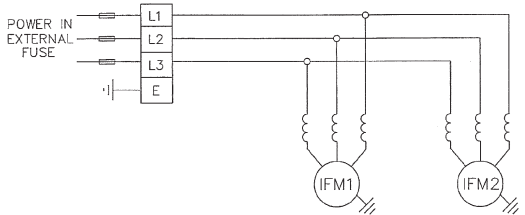
NOTE

Specifications are subject to change without notice due to the manufacturer's ongoing research and development programme.

INDOOR UNIT WIRING

Indoor-Outdoor Connection Wiring: refer 'Installation & Maintenance' pamphlet, page 6.

MODEL	ISD	380-P
VOLTAGE IN	V	400/415
IFM AMPS (MAX)	A	2.5 x 2
FR	FAN RELAY	
FRC	FAN RELAY COIL	
IFM	INDOOR FAN MOTOR	
POT	POTENTIOMETER (MAX SPEED)	



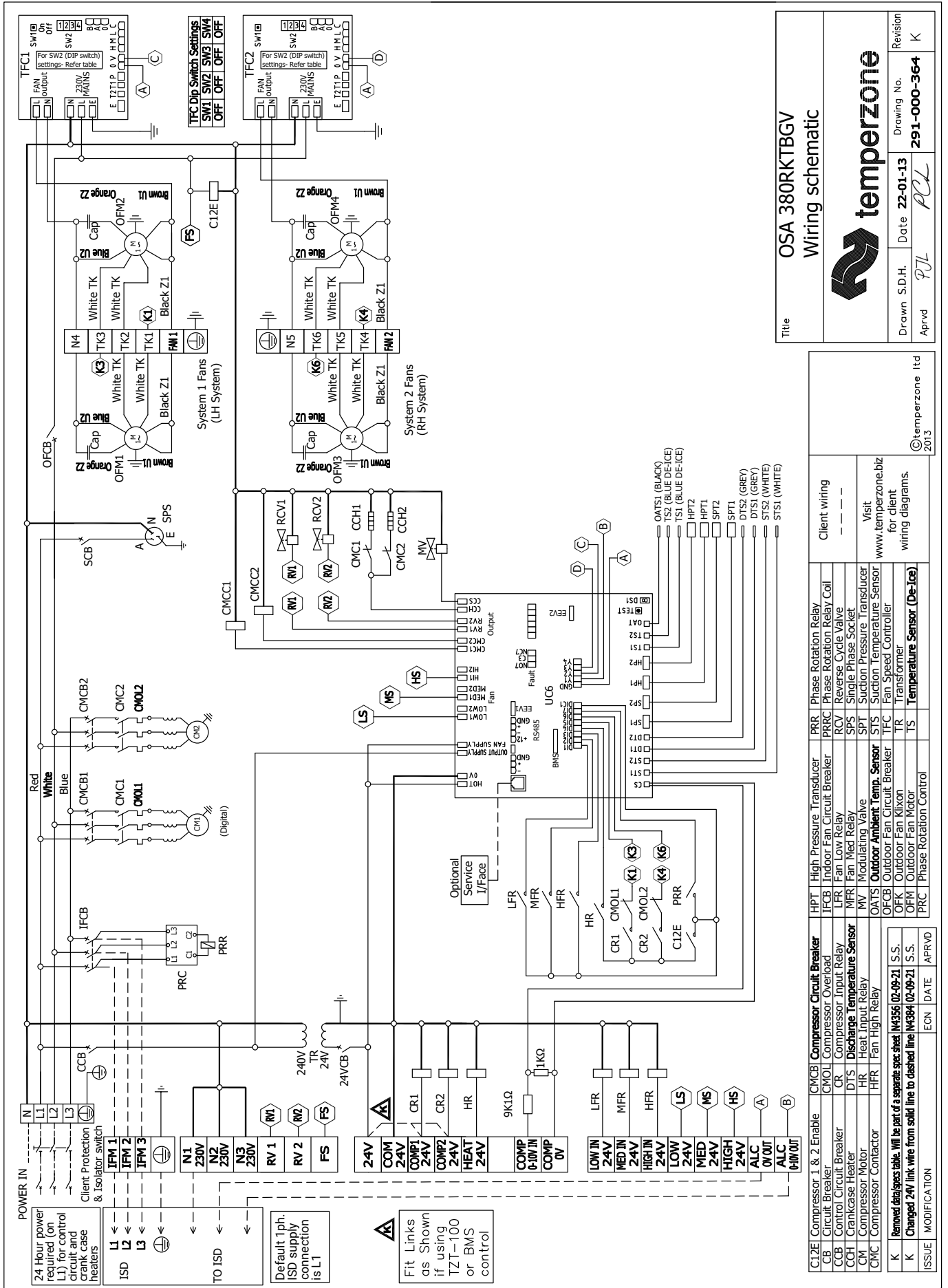
NOTE: FOR EXTERNAL 0-10V CONTROL FEED 0-10V CONTROL SIGNAL TO TERMINAL '0-10V' AND 'FAN GND'

ISSUE	MODIFICATION	EC/N	DATE	APRVD	DRG SIZE	No.	DESCRIPTION	Mat. I.	FINISH	ASSY No.

Programmed by	Title ISD 380KB-P WIRING SCHEMATIC			
PLOTTED 31-03-11				
	Drawn CMW	Date 27-01-11	Drawing No.	Revision
©temperzone Ltd 2009	Scale	As Shown	525-504-002	

OUTDOOR UNIT WIRING

Indoor-Outdoor Connection Wiring: refer 'Installation & Maintenance' pamphlet, page 6.



Title
OSA 380RKTBGV
Wiring schematic



Revision
Drawing No. **291-000-364**
Date **22-01-13**
Drawn S.D.H. *PJL*
Apprvd *PJL*

©temperzone ltd
2013

Client wiring	---
Visit www.temperzone.biz for client wiring diagrams.	

C12E	Compressor 1 & 2 Enable	CMCB1	Compressor Circuit Breaker	PRR	High Pressure Transducer	Phase Rotation Relay
CB	Circuit Breaker	CMOL	Compressor Overload	PRRC	Indoor Fan Circuit Breaker	Phase Rotation Relay Coil
CCB	Control Circuit Breaker	CR	Compressor Relay	RCV	Fan Low Relay	Reverse Cycle Valve
CCH	Crankcase Heater	DTS	Discharge Temperature Sensor	SPS	Fan Mod Relay	Single Phase Socket
CM	Compressor Motor	HR	Heat Input Relay	MV	Modulating Valve	Suction Pressure Transducer
CMC	Compressor Contactor	HFR	Fan High Relay	OATS	Outdoor Ambient Temp. Sensor	Suction Temperature Sensor
K	Removed data/spec table. Will be part of a separate spec sheet. (N4356 02-09-21) S.S.	IFCB	Indoor Fan Circuit Breaker	IFC	Indoor Fan Klixon	Fan Speed Controller
K	Changed 24V link wire from solid line to dashed line (N4394 02-09-21) S.S.	OFM	Outdoor Fan	TR	Transformer	Temperature Sensor (De-Ice)
ISSUE	MODIFICATION	ECN	DATE	APPRVD		