

Model	HWP 36RKS
Item No. (Standard/Opposite Hand)	509-036-001 / 509-036-011
Cooling capacity (net) to AS/NZS 3823 T1	3.4 kW
Heating capacity H1	3.7 kW
Electrical input - cooling	0.92 kW
Electrical input - heating	0.95 kW
EER / AEER (cooling)	3.64 / 3.61
COP / ACOP (heating)	3.82 / 3.79
Unit Controller	UC8
Refrigerant	R410A
Refrigerant charge	870 g
Compressor type	rotary
Water connections	1/2" male BSP
Nominal EWT/EAT on cooling	30°C / 27°C db, 19°C wb
Nominal EWT/EAT on heating	20°C / 20°C
Nominal Water Flow @ EWT – LWT = 5k	0.22 l/s
Entering system pressure drop @ nominal flow	27.6 kPa (4 psi)
Min. water temp. Heat cycle at nominal flow & EAT	10°C
Min. water temp. Cool cycle at nominal flow & EAT	15°C
Min. water temp. Cool cycle with water flow control valve	5°C
Max. EWT Heat cycle at nominal flow & EAT	30°C
Max. EWT Cool cycle at nominal flow & EAT	50°C
Min. water flow @ nominal EWT & EAT	0.06 l/s
Max. water pressure – excluding hoses	3200 kPa (464 psi)
Power supply	1 ph. 230V ac 50Hz
Compressor run amps at rating cond.	3.4 A
Compressor run capacitor	30 μ fd
Indoor fan motor size	150 W
Indoor fan motor (1ph.) - full load	1.4 A
Control circuit breaker (internal)	10 A
Running amps (total system)	4.2 A
Max. running amps (total system)	6.2 A
Net weight	70 kg

Accessories:

Spring mounts	supplied
Water hoses 600mm long, rated 250psi	1/2" female BSP, supplied
Replacement filter	119-000-098 513x265x13
Condensate lift-pump	507-003-009

Optional:

SAT-3 Room temperature controller	201-000-146
TZT-100 Room temperature controller	201-000-350

Refer to temperzone for other options, eg remote sensors

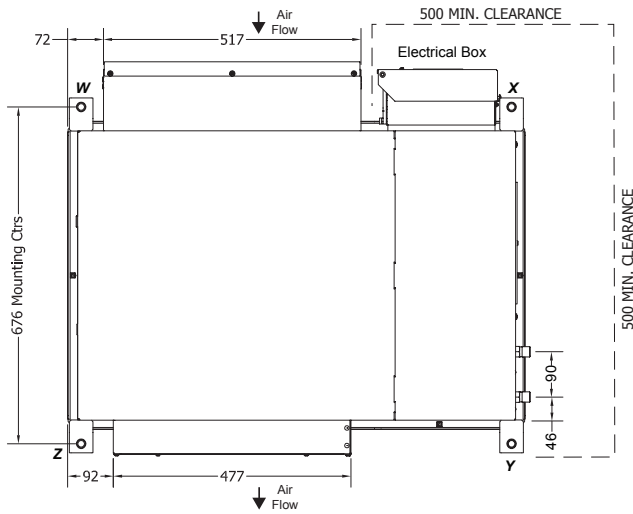
DIMENSIONS (mm)



Not to Scale

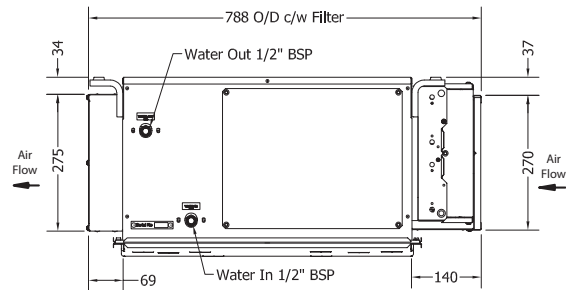
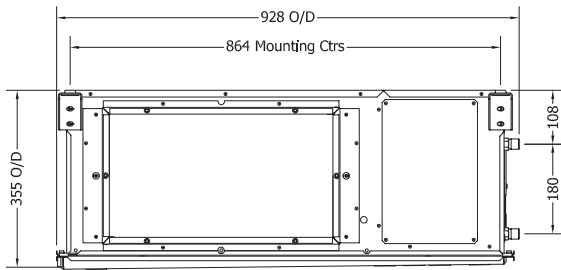
HWP 36RKS Standard

Right handed model shown here



POINT LOADS (kg)			
W	X	Y	Z
23	13	12	22

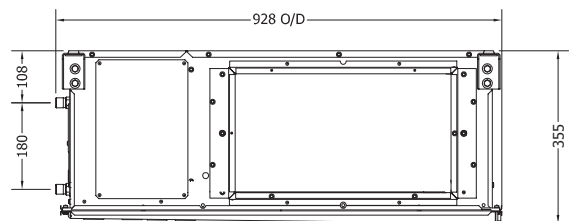
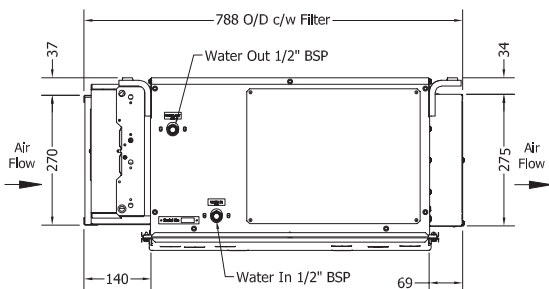
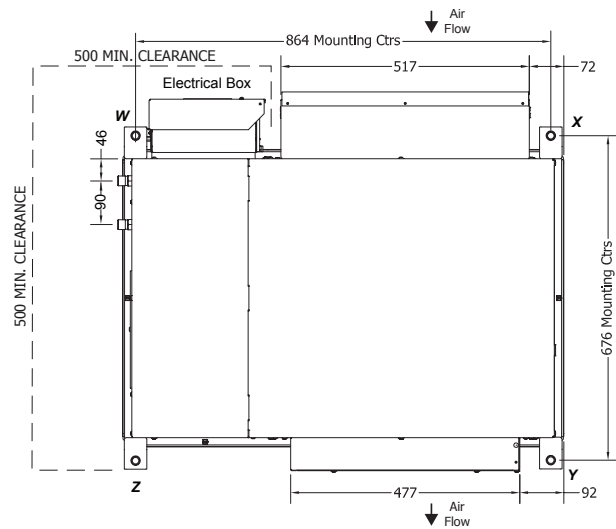
Note: Fan motor can be accessed from panel above, below or sides; no more than two panels at once.



HWP 36RKS Opposite Hand

POINT LOADS (kg)			
W	X	Y	Z
23	12	13	22

Note: Fan motor can be accessed from panel above, below or sides; no more than two panels at once.

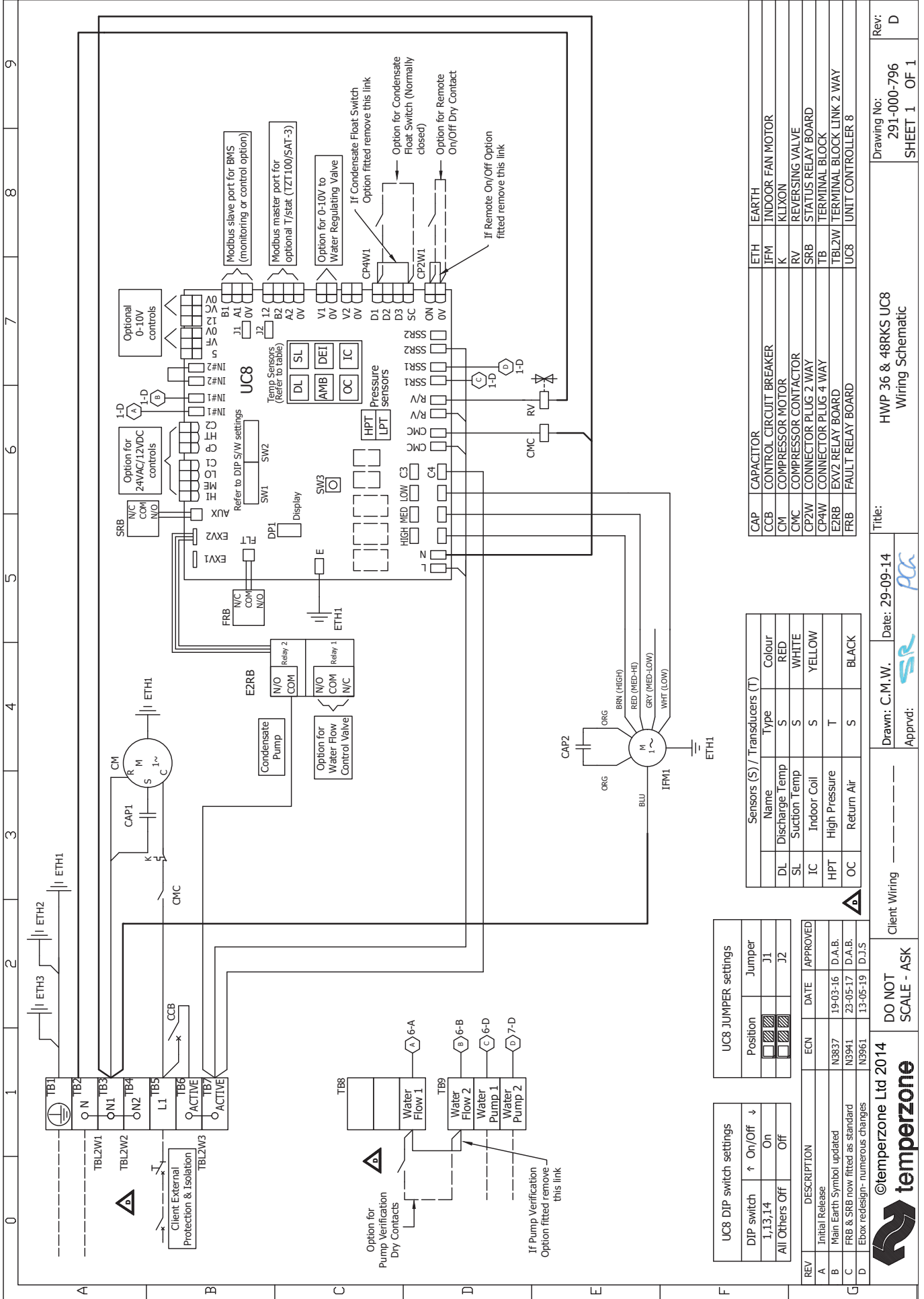


Ø19 Copper Drain Pipe

NOTE

Specifications are subject to change without notice due to the manufacturer's ongoing research and development programme.





DIP switch	On/Off
1,13,14	On
All Others	Off

Position	Jumper
J1	APPROVED
J2	

Name	Type	Colour
DL	S	RED
SL	S	WHITE
IC	S	YELLOW
HPT	T	
OC	S	BLACK

REV	DESCRIPTION	ECN	DATE	APPROVED
A	Initial Release			
B	Main Earth Symbol updated	N3837	19-03-16	D.A.B.
C	FRB & SRB now fitted as standard	N3941	23-05-17	D.A.B.
D	Ebox redesign- numerous changes	N3961	13-05-19	D.J.S



DO NOT SCALE - ASK

Client Wiring

Drawn: C.M.W. Date: 29-09-14

Approved: *PCG*

Title: HWP 36 & 48RKS UC8 Wiring Schematic

Rev: Drawing No: 291-000-796 SHEET 1 OF 1

0 1 2 3 4 5 6 7 8 9

A B C D E F

CAP	CAPACITOR	ETH	EARTH
CCB	CONTROL CIRCUIT BREAKER	IFM	INDOOR FAN MOTOR
CM	COMPRESSOR MOTOR	K	KLIXON
CMC	COMPRESSOR CONTACTOR	RV	REVERSING VALVE
CP2W	CONNECTOR PLUG 2 WAY	SRB	STATUS RELAY BOARD
CP4W	CONNECTOR PLUG 4 WAY	TB	TERMINAL BLOCK
E2RB	EXV2 RELAY BOARD	TBL2W	TERMINAL BLOCK LINK 2 WAY
FRB	FAULT RELAY BOARD	UC8	UNIT CONTROLLER 8

SPECIFICATIONS



Model	HWP 36CKS	HWP 36CEKS
Item No. - Standard	509-036-101	509-036-102
Item No. - Opposite Hand	509-036-111	509-036-112
Cooling capacity (net) to AS/NZS 3823 T1	3.4 kW	
Heating capacity - Electric heat	n/a	2.0 kW
Electrical input - cooling	0.9 kW	
Electrical input - heating	n/a	2.2 kW
EER / AEER (cooling)	3.64 / 3.59	
Unit Controller	UC8	
Refrigerant	R410A	
Refrigerant charge	780 g	
Compressor type	rotary	
Water connections	1/2" male BSP	
Nominal EWT on cooling	30°C	
Nominal EAT on cooling	27°C db, 19°C wb	
Nominal Water Flow @ EWT – LWT = 5k	0.22 l/s	
Entering system pressure drop @ nominal flow	27.6 kPa (4 psi)	
Min. water temp. Cool cycle at nominal flow & EAT	15°C	
Min. water temp. Cool cycle with water flow control valve	5°C	
Max. EWT Cool cycle at nominal flow & EAT	50°C	
Min. water flow @ nominal EWT & EAT	0.06 l/s	
Max. water pressure – excluding hoses	3200 kPa (464 psi)	
Power supply	1 ph. 230V ac 50Hz	
Compressor run amps at rating cond.	3.5 A	
Compressor run capacitor	30 µfd	
Indoor fan motor size	150 W	
Indoor fan motor (1ph.) - full load	1.4 A	
Control circuit breaker (internal)	10 A	
Running amps (total system)	4.2 A	9.4 A
Max. running amps (total system)	6.2 A	10.1 A
Net weight	69 kg	70 kg

Accessories:

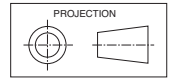
Spring mounts	supplied
Water hoses 600mm long, rated 250 psi	1/2" female BSP, supplied
Replacement filter - rated EU2/G2	119-000-098 513x265x13
Condensate lift-pump	507-003-009

Optional:

SAT-3 Room temperature controller	201-000-146
TZT-100 Room temperature controller	201-000-350

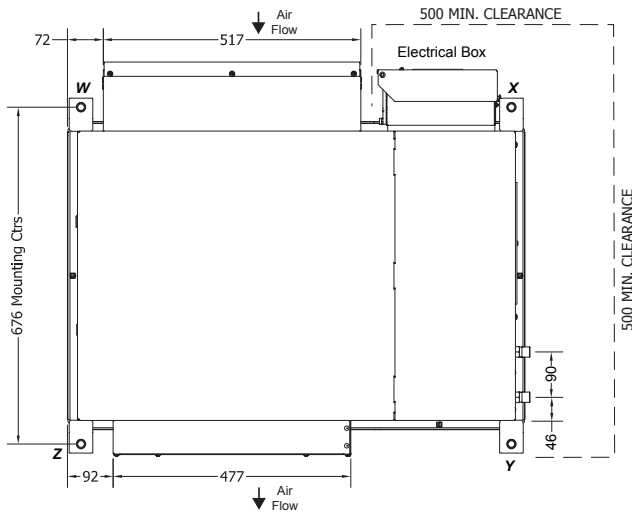
Refer to temperzone for other options, eg remote sensors

DIMENSIONS (mm)



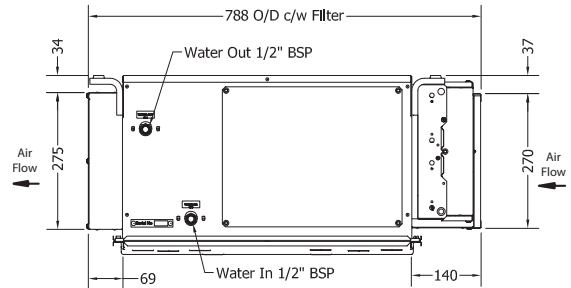
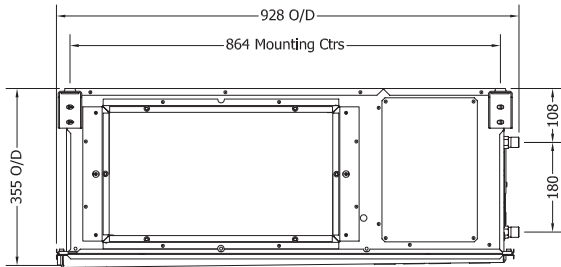
Not to Scale

HWP 36 CKS/CEKS Standard



POINT LOADS (kg)			
W	X	Y	Z
23	13	12	22

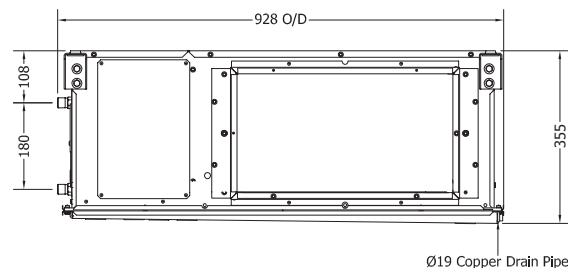
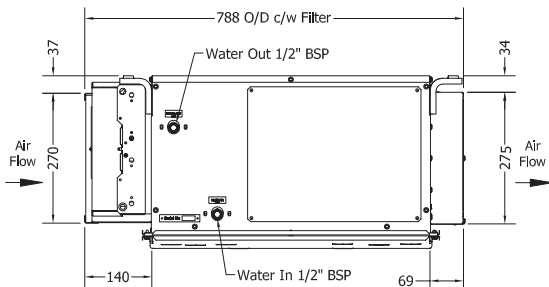
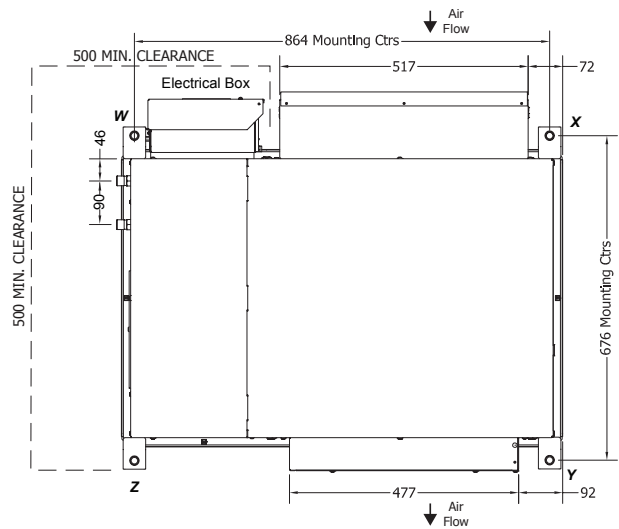
Note: Fan motor can be accessed from panel above, below or sides; no more than two panels at once.



HWP 36 CKS/CEKS Opposite Hand

POINT LOADS (kg)			
W	X	Y	Z
23	12	13	22

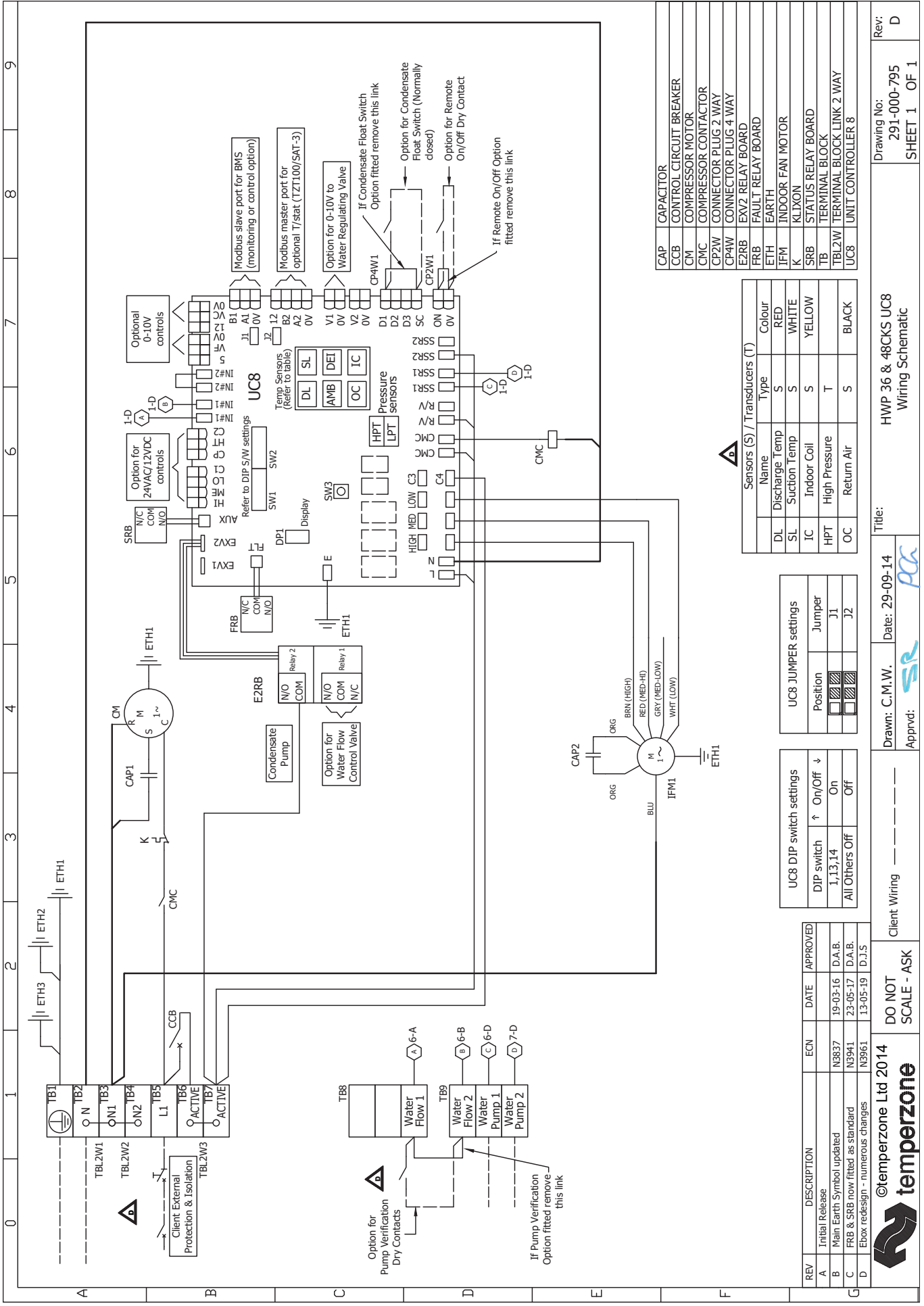
Note: Fan motor can be accessed from panel above, below or sides; no more than two panels at once.



NOTE

Specifications are subject to change without notice due to the manufacturer's ongoing research and development programme.





CAP	CAPACITOR
CCB	CONTROL CIRCUIT BREAKER
CM	COMPRESSOR MOTOR
CMC	COMPRESSOR CONTACTOR
CP2W	CONNECTOR PLUG 2 WAY
CP4W	CONNECTOR PLUG 4 WAY
E2RB	EMV2 RELAY BOARD
FRB	FAULT RELAY BOARD
ETH	EARTH
IFM	INDOOR FAN MOTOR
K	KLIXON
SRB	STATUS RELAY BOARD
TB	TERMINAL BLOCK
TBL2W	TERMINAL BLOCK LINK 2 WAY
UC8	UNIT CONTROLLER 8

Sensors (S) / Transducers (T)			
Name	Type	Colour	
DL	Discharge Temp	S	RED
SL	Suction Temp	S	WHITE
IC	Indoor Coil	S	YELLOW
HPT	High Pressure	T	
OC	Return Air	S	BLACK

UC8 JUMPER settings		
Position	Jumper	
J1		
J2		

UC8 DIP switch settings		
DIP switch	On/Off	
1,13,14	On	
All Others	Off	

REV	DESCRIPTION	ECN	DATE	APPROVED
A	Initial Release			
B	Main Earth Symbol updated	N3837	19-03-16	D.A.B.
C	FRB & SRB now fitted as standard	N3941	23-05-17	D.A.B.
D	Ebox redesign - numerous changes	N3961	13-05-19	D.J.S

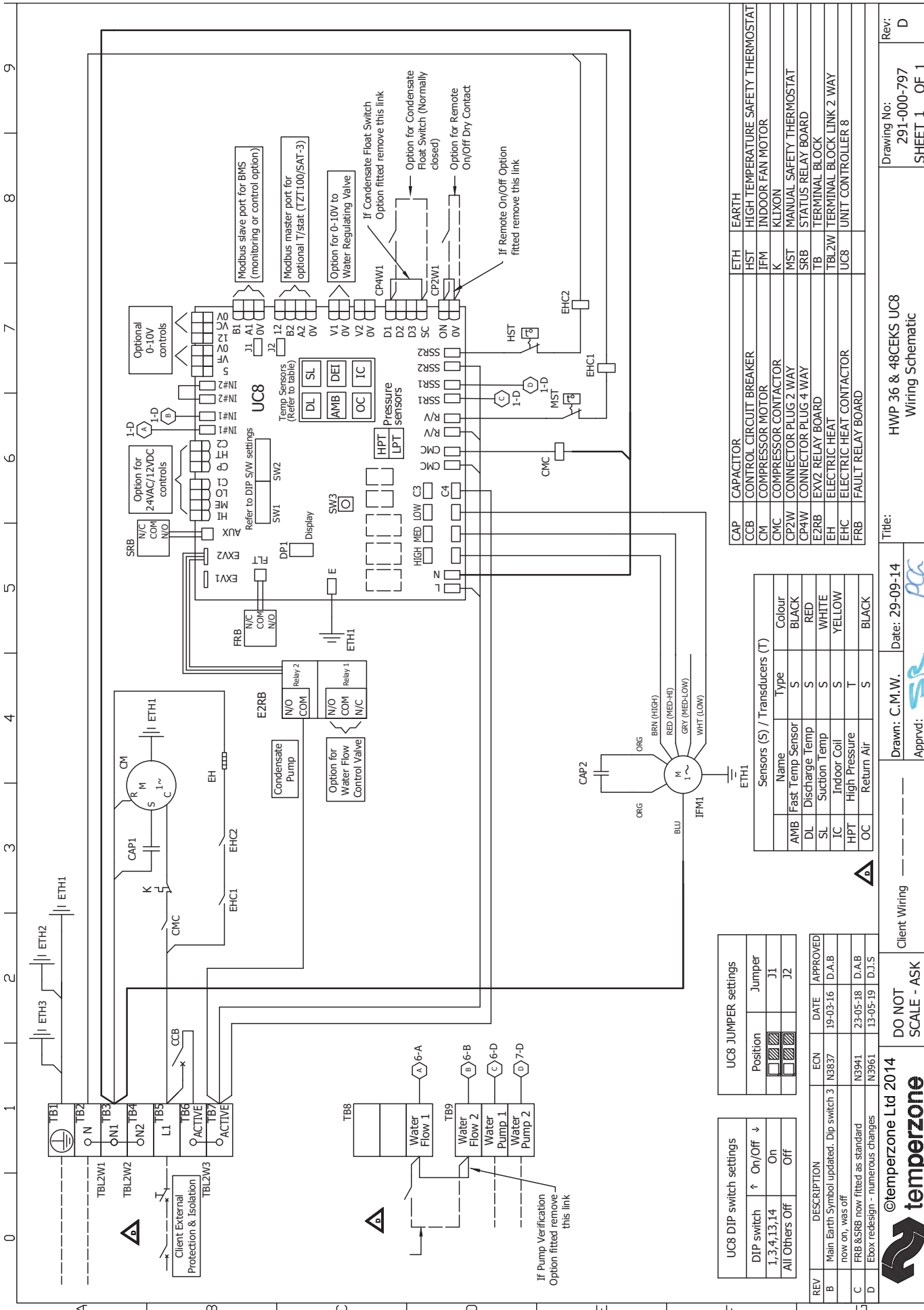
Drawing No: 291-000-795
 SHEET 1 OF 1
 Rev: D

Title: HWP 36 & 48CKs UC8 Wiring Schematic

Drawn: C.M.W. Date: 29-09-14
 Approved: *PCG*

Client Wiring DO NOT SCALE - ASK

©temperzone Ltd 2014
temperzone



©temperzone Ltd 2014

DO NOT SCALE - ASK

Client Wiring

Drawn: C.M.W.

Date: 29-09-14

Title: HWP 36 & 48CEKS UC8 Wiring Schematic

Rev: D

Drawing No: 291-000-797

SHEET 1 OF 1