

SPECIFICATIONS



Model	HWP 255RKT
Item No. (Standard / Opposite Hand)	509-255-001 / 509-255-011
Cooling capacity (net) to AS/NZS 3823 T1	24.7 kW
Heating capacity H1	23.0 kW
Electrical input - cooling	5.8 kW
Electrical input - heating	5.4 kW
EER / AEER (cooling)	4.29 / 4.28
COP / ACOP (heating)	4.31 / 4.30
Unit Controller	UC8
Refrigerant	R410A
Refrigerant charge	3.4 kg
Compressor type	scroll
Water connections	1" male BSP
Nominal EWT/EAT on cooling	30°C / 27°C db, 19°C wb
Nominal EWT/EAT on heating	20°C / 20°C
Nominal Water Flow @ EWT – LWT = 5k	1.53 l/s
Entering system pressure drop @ nominal flow	48 kPa (7 psi)
Min. water temp. Heat cycle at nominal flow & EAT	10°C
Min. water temp. Cool cycle at nominal flow & EAT	15°C
Min. water temp. Cool cycle with water flow control valve	5°C
Max. EWT Heat cycle at nominal flow & EAT	30°C
Max. EWT Cool cycle at nominal flow & EAT	50°C
Min. water flow @ nominal EWT & EAT	0.42 l/s
Max. water pressure – excluding hoses	3200 kPa (464 psi)
Power supply	3 ph. 400V ac 50Hz
Compressor run amps at rating cond.	8.5 A/ph.
Indoor fan motor size	750 W
Indoor fan motor (1ph.) - full load	6.5 A
Control circuit breaker (internal)	10 A
Running amps (total system)	13.5 / 8 / 8 A
Max. running amps (total system)	18.5 / 13 / 13
Net weight	190 kg

Accessories:

Spring mounts	supplied
Water hoses 800mm long, rated 2070 kPa (300 psi)	1" female BSP, supplied
Replacement filter EU2 rated	119-000-104 1398x405x13
Condensate lift-pump	507-003-010

Optional:

SAT-3 Room temperature controller	201-000-146
TZT-100 Room temperature controller	201-000-350

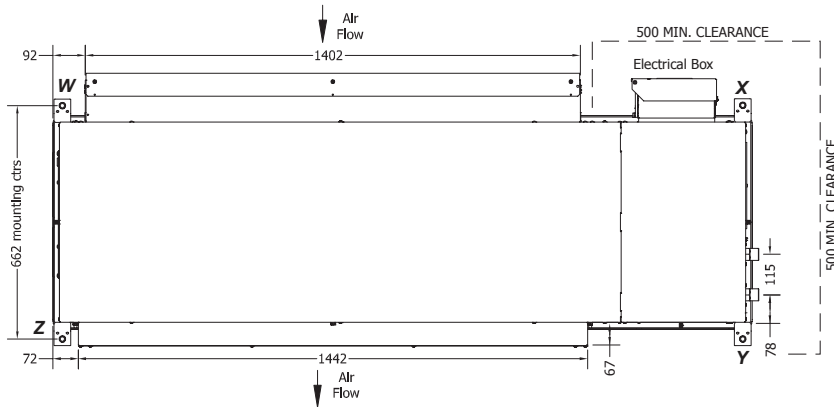
Refer to temperzone for other options, eg remote sensors

DIMENSIONS (mm)



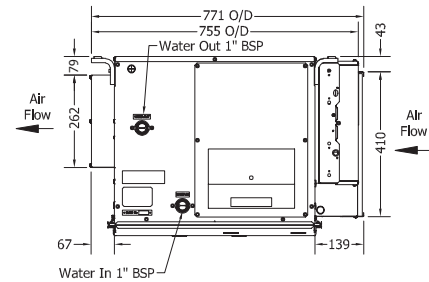
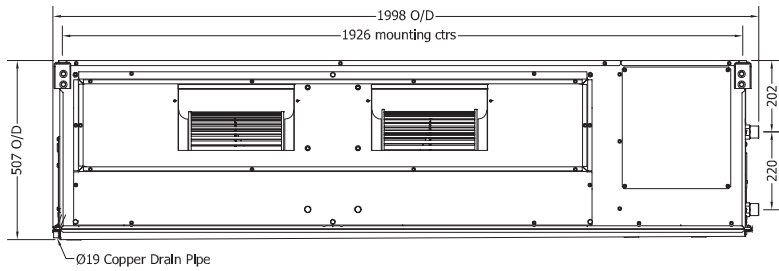
Not to Scale

HWP 255RKT Standard



POINT LOADS (kg)			
W	X	Y	Z
39	55	63	33

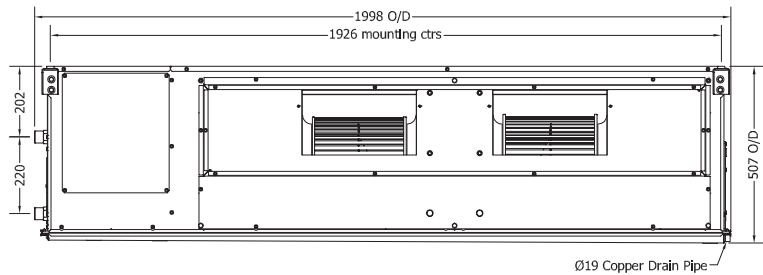
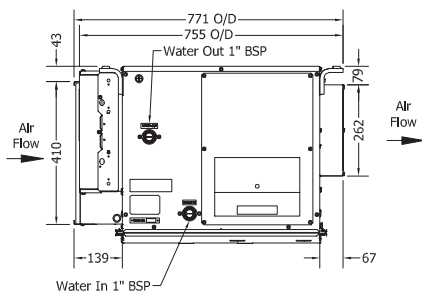
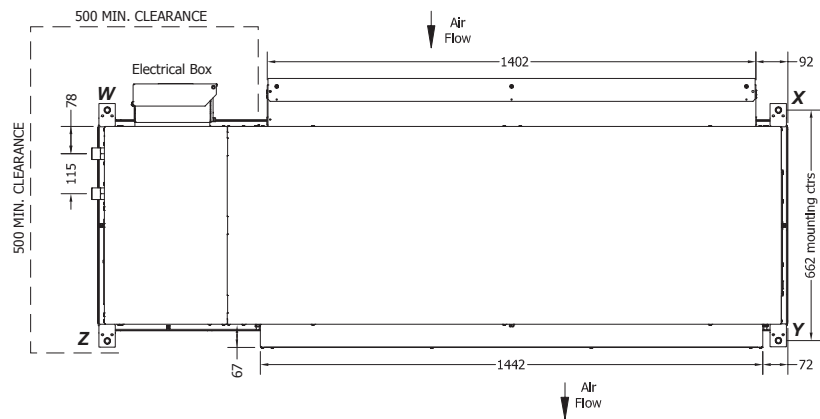
Note: Fan motor can be accessed from panel above, below or sides; no more than two panels at once.



HWP 255RKT Opposite Hand

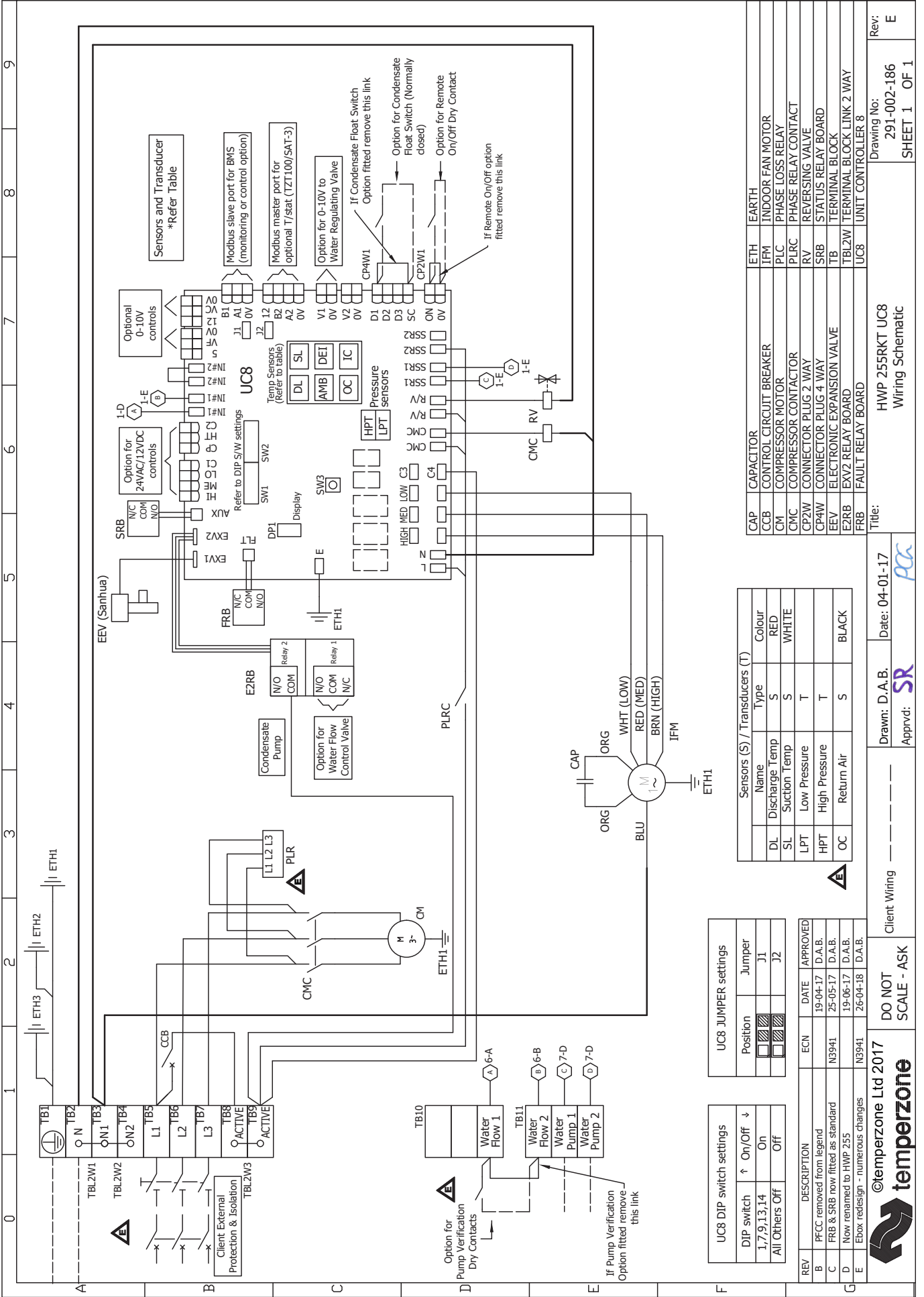
POINT LOADS (kg)			
W	X	Y	Z
63	39	33	55

Note: Fan motor can be accessed from panel above, below or sides; no more than two panels at once.



NOTE

Specifications are subject to change without notice due to the manufacturer's ongoing research and development programme.



Terminal	Function
ETH	EARTH
IFM	INDOOR FAN MOTOR
PLC	PHASE LOSS RELAY
PLRC	PHASE RELAY CONTACT
RV	REVERSING VALVE
SRB	STATUS RELAY BOARD
TB	TERMINAL BLOCK
TBL2W	TERMINAL BLOCK LINK 2 WAY
UC8	UNIT CONTROLLER 8

Sensors (S) / Transducers (T)	Name	Type	Colour
DL	Discharge Temp	S	RED
SL	Suction Temp	S	WHITE
LPT	Low Pressure	T	
HPT	High Pressure	T	
OC	Return Air	S	BLACK

UC8 JUMPER settings	
Position	Jumper
J1	On
J2	Off

REV	DESCRIPTION	ECN	DATE	APPROVED
B	PFCC removed from legend		19-04-17	D.A.B.
C	FRB & SRB now fitted as standard	N3941	25-05-17	D.A.B.
D	Now renamed to HWP 255		19-06-17	D.A.B.
E	Ebox redesign - numerous changes	N3941	26-04-18	D.A.B.

temperzone
 Client Wiring
 Drawn: D.A.B. Date: 04-01-17
 Approved: **SR**
 Title: HWP 255RKT UC8 Wiring Schematic
 Drawing No: 291-002-186
 Rev: E
 SHEET 1 OF 1

SPECIFICATIONS



Model	HWP 255CKT	HWP 255CEKT
Item No. - Standard	509-255-101	509-255-102
Item No. - Opposite Hand	509-255-111	509-255-112
Cooling capacity (net) to AS/NZS 3823 T1	24.7 kW	
Heating capacity - Electric heat	n/a	12.0 kW
Electrical input - cooling	5.5 kW	
Electrical input - heating	n/a	13.2 kW
EER / AEER (cooling)	4.48 / 4.46	
Unit Controller	UC8	
Refrigerant	R410A	
Refrigerant charge	3.0 kg	
Compressor type	scroll	
Water connections	1" male BSP	
Nominal EWT on cooling	30°C	
Nominal EAT on cooling	27°C db, 19°C wb	
Nominal Water Flow @ EWT – LWT = 5k	1.53 l/s	
Entering system pressure drop @ nominal flow	48 kPa (7 psi)	
Min. water temp. Cool cycle at nominal flow & EAT	15°C	
Min. water temp. Cool cycle with water flow control valve	5°C	
Max. EWT Cool cycle at nominal flow & EAT	50°C	
Min. water flow @ nominal EWT & EAT	0.42 l/s	
Max. water pressure – excluding hoses	3200 kPa (464 psi)	
Power supply	3 ph. 400V ac 50Hz	
Compressor run amps at rating cond.	8 A	
Indoor fan motor size	750 W	
Indoor fan motor (1ph.) - full load	6.5 A	
Control circuit breaker (internal)	10 A	
Running amps (total system)	13 / 8 / 8 A	23 / 17.5 / 17.5 A
Max. running amps (total system)	19 / 13 / 13 A	24 / 17.5 / 17.5 A
Net weight	190 kg	190 kg

Accessories:

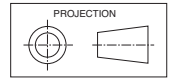
Spring mounts	supplied
Water hoses 800mm long, rated 2070kPa (300psi)	1" female BSP, supplied
Replacement filter	119-000-104 1398x405x13
Condensate lift-pump	507-003-010

Optional:

SAT-3 Room temperature controller	201-000-146
TZT-100 Room temperature controller	201-000-350

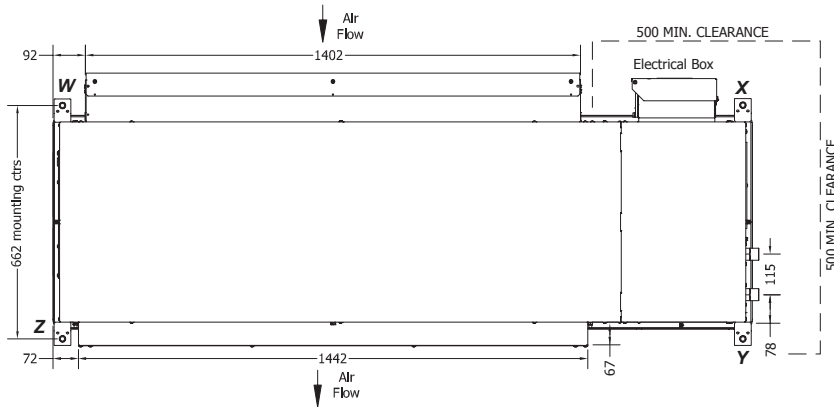
Refer to temperzone for other options, eg remote sensors

DIMENSIONS (mm)



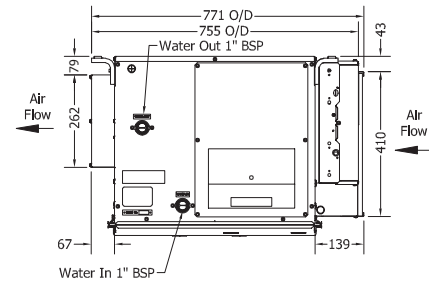
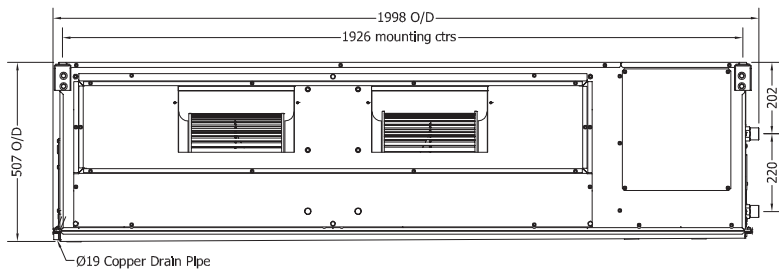
Not to Scale

HWP 255 CKT/CEKT Standard



POINT LOADS (kg)			
W	X	Y	Z
39	55	63	33

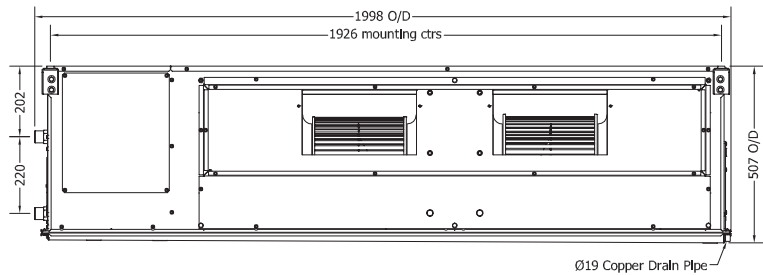
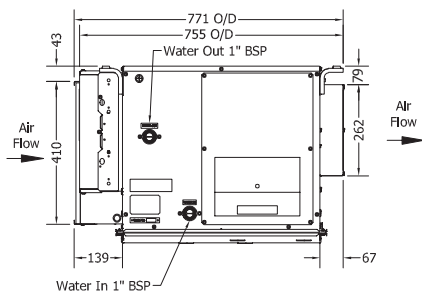
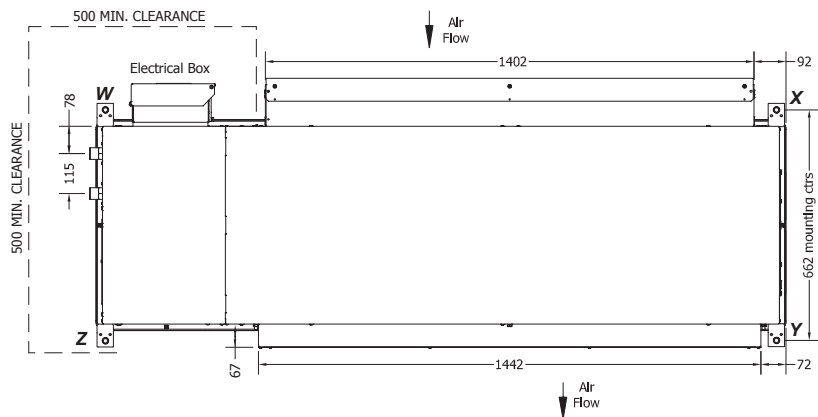
Note: Fan motor can be accessed from panel above, below or sides; no more than two panels at once.



HWP 255 CKT/CEKT Opposite Hand

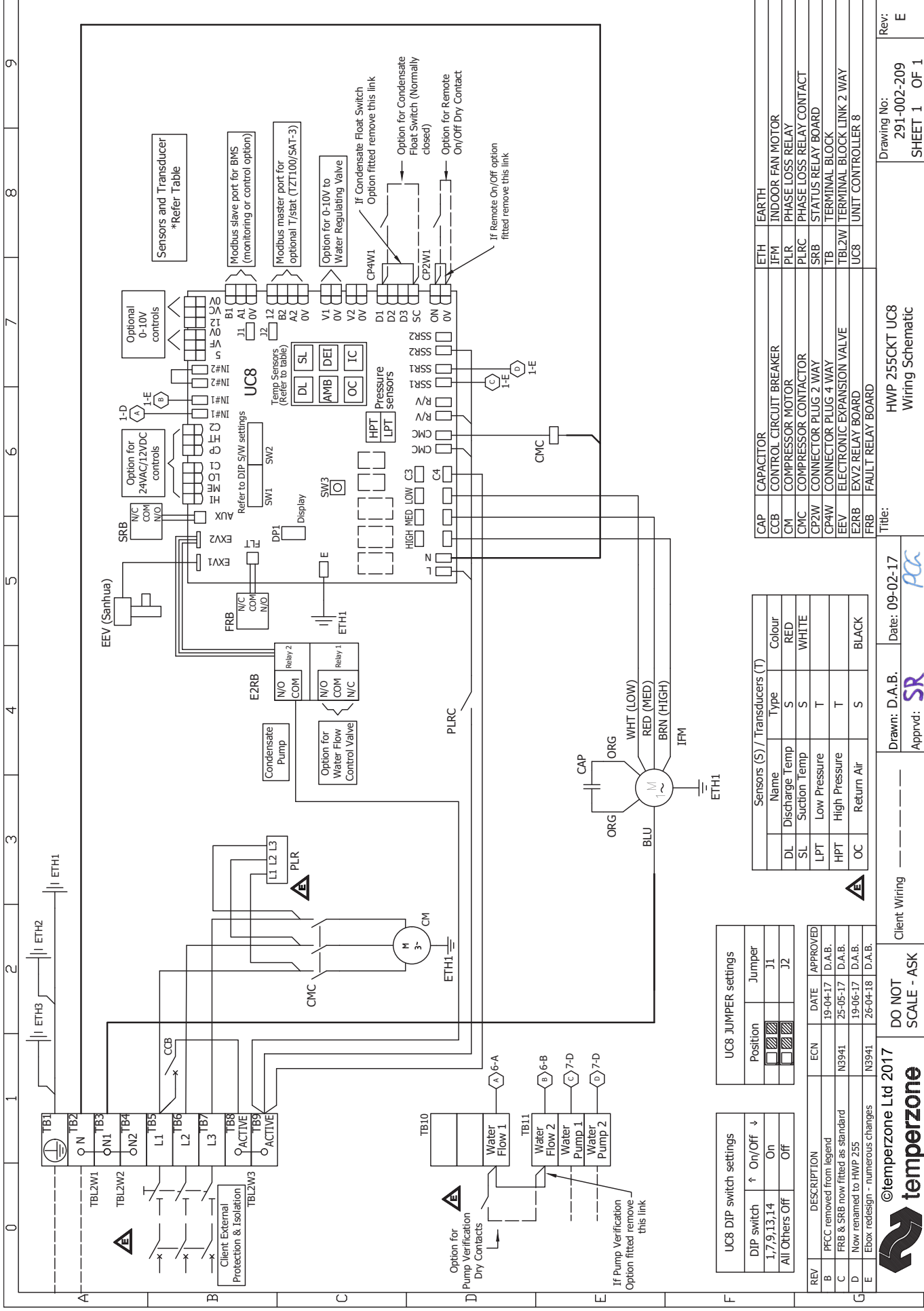
POINT LOADS (kg)			
W	X	Y	Z
63	39	33	55

Note: Fan motor can be accessed from panel above, below or sides; no more than two panels at once.



NOTE

Specifications are subject to change without notice due to the manufacturer's ongoing research and development programme.



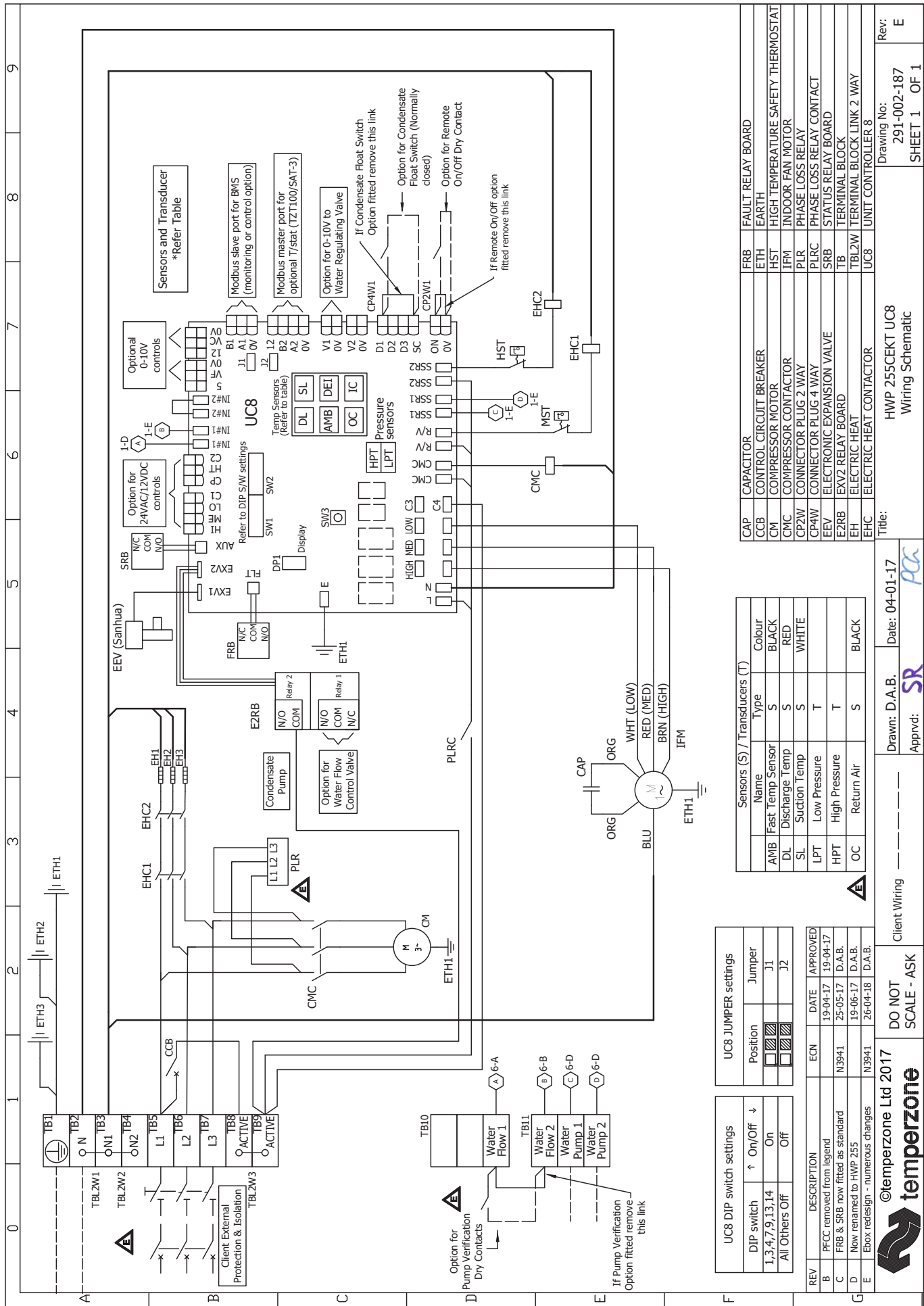
Sensors (S) / Transducers (T)	
Name	Type
DL	Discharge Temp
SL	Suction Temp
LPT	Low Pressure
HPT	High Pressure
OC	Return Air

UC8 DIP switch settings	UC8 JUMPER settings
DIP switch 1,7,9,13,14	Position
All Others Off	Jumper
On	J1
Off	J2

REV	DESCRIPTION	ECN	DATE	APPROVED
B	PFCC removed from legend	N3941	19-04-17	D.A.B.
C	FRB & SRB now fitted as standard	N3941	25-05-17	D.A.B.
D	Now renamed to HWP 255	N3941	19-06-17	D.A.B.
E	Ebook redesign - numerous changes	N3941	26-04-18	D.A.B.

Terminal	Function
CAP	CAPACITOR
CCB	CONTROL CIRCUIT BREAKER
CM	COMPRESSOR MOTOR
CMC	COMPRESSOR CONTACTOR
CP2W	CONNECTOR PLUG 2 WAY
CP4W	CONNECTOR PLUG 4 WAY
E2RB	ELECTRONIC EXPANSION VALVE
E2R2	EXV2 RELAY BOARD
FRB	FAULT RELAY BOARD
ETH	EARTH
IFM	INDOOR FAN MOTOR
PLR	PHASE LOSS RELAY
PLRC	PHASE LOSS RELAY CONTACT
SRB	STATUS RELAY BOARD
TB	TERMINAL BLOCK
TBL2W	TERMINAL BLOCK LINK 2 WAY
UC8	UNIT CONTROLLER 8

temperzone
 ©temperzone Ltd 2017
 Client Wiring
 DO NOT SCALE - ASK
 Drawn: D.A.B. Date: 09-02-17
 Approved: SR
 Title: HWP 255CKT UC8 Wiring Schematic
 Drawing No: 291-002-209 SHEET 1 OF 1
 Rev: E



CAP	CAPACITOR	FRB	FAULT RELAY BOARD
CCB	CONTROL CIRCUIT BREAKER	ETH	EARTH
CM	COMPRESSOR MOTOR	HST	HIGH TEMPERATURE SAFETY THERMOSTAT
CMC	COMPRESSOR CONTACTOR	IFM	INDOOR FAN MOTOR
CP2W	CONNECTOR PLUG 2 WAY	PLR	PHASE LOSS RELAY
CP4W	CONNECTOR PLUG 4 WAY	PLRC	PHASE LOSS RELAY CONTACT
EEV	ELECTRONIC EXPANSION VALVE	SRB	STATUS RELAY BOARD
E2RB	EXV2 RELAY BOARD	TB	TERMINAL BLOCK
EH	ELECTRIC HEAT	TBL2W1	TERMINAL BLOCK LINK 2 WAY
EHC	ELECTRIC HEAT CONTACTOR	UC8	UNIT CONTROLLER 8

Sensors (S) / Transducers (T)		
Name	Type	Colour
AMB	Fast Temp Sensor	BLACK
DL	Discharge Temp	RED
SL	Suction Temp	WHITE
LPT	Low Pressure	T
HPT	High Pressure	T
OC	Return Air	BLACK

UC8 JUMPER settings		
DIP switch	On/Off	Jumper
1,3,4,7,9,13,14	On	J1
All Others	Off	J2

REV	DESCRIPTION	ECN	DATE	APPROVED
B	PFCC removed from legend		19-04-17	19-04-17
C	FRB & SRB now fitted as standard	N3941	25-05-17	D.A.B.
D	Now renamed to HWP 255		19-06-17	D.A.B.
E	Ebox redesign - numerous changes	N3941	26-04-18	D.A.B.



©temperzone Ltd 2017

Client Wiring
DO NOT SCALE - ASK

Drawn: D.A.B. Date: 04-01-17
Apprvd: SR

Title: HWP 255CEKT UC8
Wiring Schematic

Drawing No: 291-002-187
SHEET 1 OF 1
Rev: E