

SPECIFICATIONS



| Model | HWP 255RКТY |
|---|---------------------------|
| Item No. (Standard / Opposite Hand) | 510-255-001 / 510-255-011 |
| Cooling capacity (net) to AS/NZS 3823 T1 | 24.8 kW |
| Heating capacity H1 | 23.0 kW |
| Electrical input - cooling | 5.3 kW |
| Electrical input - heating | 5.0 kW |
| EER / AEER (cooling) | 4.65 / 4.63 |
| COP / ACOP (heating) | 4.59 / 4.58 |
| Unit Controller | UC8 |
| Refrigerant | R410A |
| Refrigerant charge | 3.4 kg |
| Compressor type | scroll |
| Water connections | 1" male BSP |
| Nominal EWT/EAT on cooling | 30°C / 27°C db, 19°C wb |
| Nominal EWT/EAT on heating | 20°C / 20°C |
| Nominal Water Flow @ EWT – LWT = 5k | 1.53 l/s |
| Entering system pressure drop @ nominal flow | 48 kPa (7 psi) |
| Min. water temp. Heat cycle at nominal flow & EAT | 10°C |
| Min. water temp. Cool cycle at nominal flow & EAT | 15°C |
| Min. water temp. Cool cycle with water flow control valve | 5°C |
| Max. EWT Heat cycle at nominal flow & EAT | 30°C |
| Max. EWT Cool cycle at nominal flow & EAT | 50°C |
| Min. water flow @ nominal EWT & EAT | 0.43 l/s |
| Max. water pressure – excluding hoses | 3200 kPa (464psi) |
| Power supply | 3 ph. 400V ac 50Hz |
| Compressor run amps at rating cond. | 8 A/ph. |
| Indoor fan motor size | 900 W |
| Indoor fan motor (1ph.) - full load | 5 A |
| Control circuit breaker (internal) | 10 A |
| Running amps (total system) | 11 / 8 / 8 A |
| Max. running amps (total system) | 16.5 / 12 / 12 A |
| Net weight | 190 kg |

Accessories:

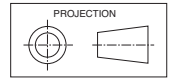
| | |
|--|-------------------------|
| Spring mounts | supplied |
| Water hoses 800mm long, rated 2070 kPa (300 psi) | 1" female BSP, supplied |
| Replacement filter EU2 rated | 119-000-104 1398x405x13 |
| Condensate lift-pump | 507-003-010 |

Optional:

| | |
|-------------------------------------|-------------|
| SAT-3 Room temperature controller | 201-000-146 |
| TZT-100 Room temperature controller | 201-000-350 |

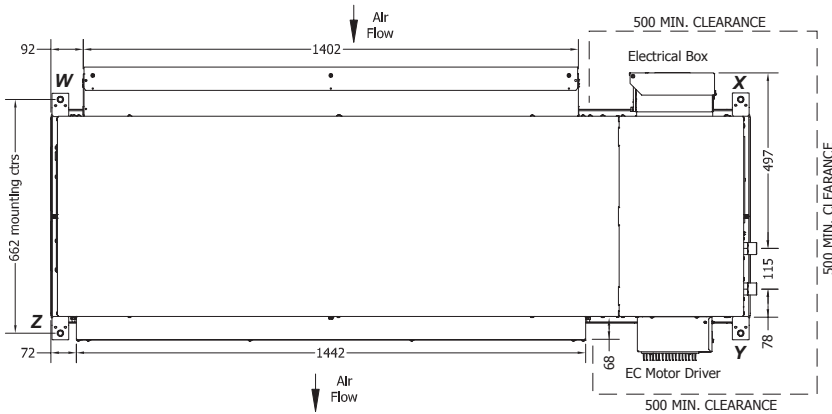
Refer to temperzone for other options, eg remote sensors

DIMENSIONS (mm)



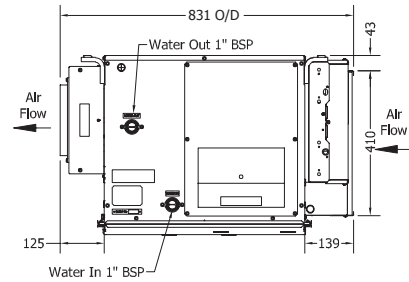
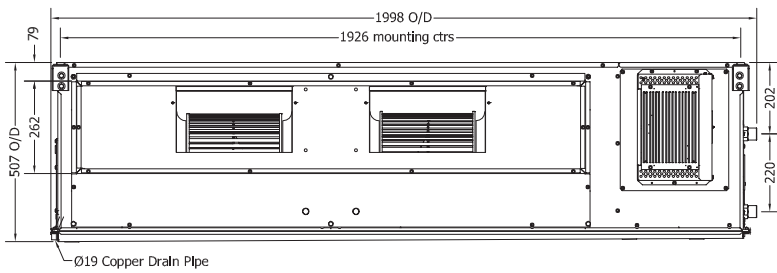
Not to Scale

HWP 255RKTY Standard



| POINT LOADS (kg) | | | |
|------------------|----|----|----|
| W | X | Y | Z |
| 42 | 61 | 60 | 27 |

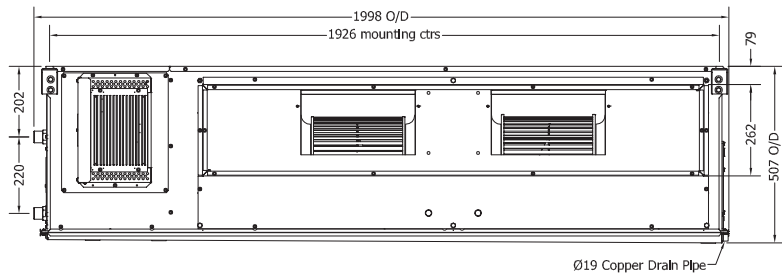
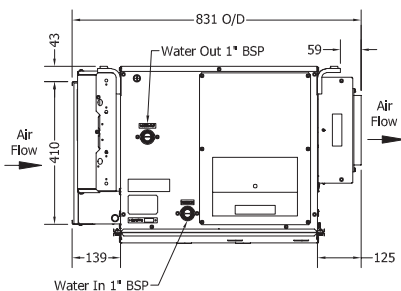
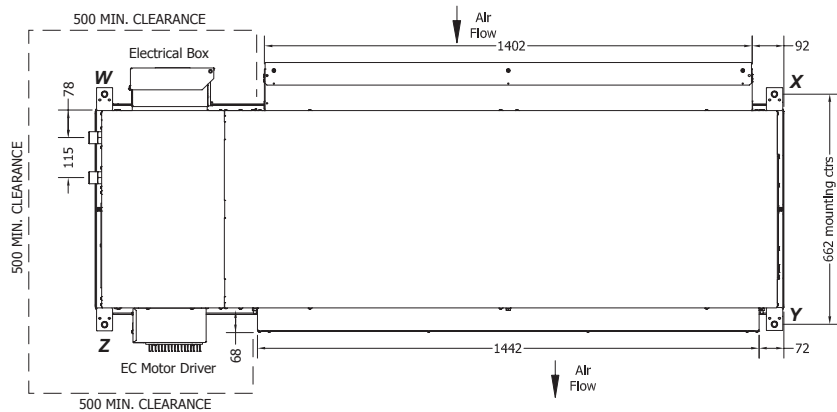
Note: Fan motor can be accessed from panel above, below or sides; no more than two panels at once.



HWP 255RKTY Opposite Hand

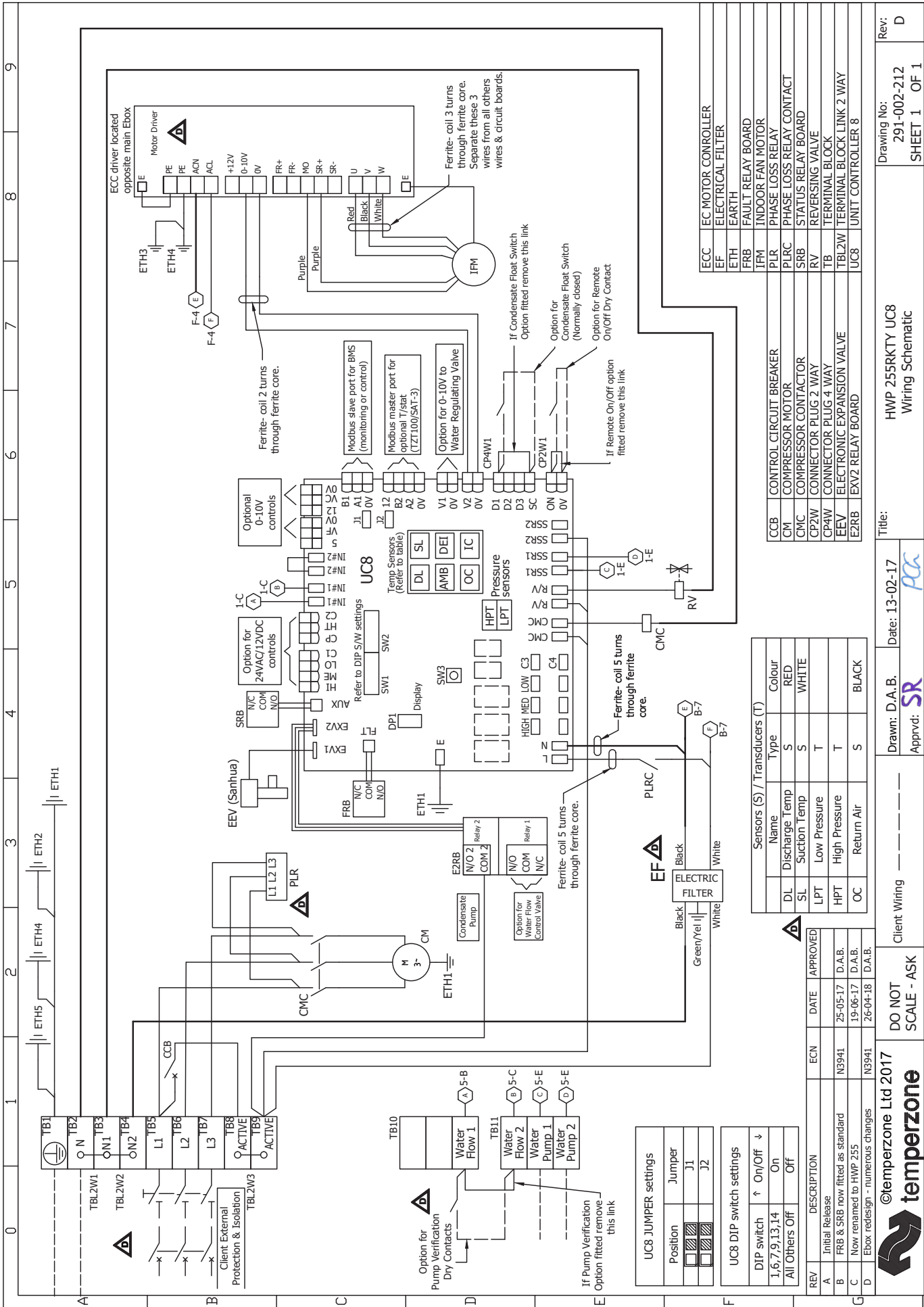
| POINT LOADS (kg) | | | |
|------------------|----|----|----|
| W | X | Y | Z |
| 60 | 42 | 27 | 61 |

Note: Fan motor can be accessed from panel above, below or sides; no more than two panels at once.



NOTE

Specifications are subject to change without notice due to the manufacturer's ongoing research and development programme.



| | |
|-------|---------------------------|
| ECC | EC MOTOR CONTROLLER |
| EF | ELECTRICAL FILTER |
| ETH | EARTH |
| FRB | INDOOR FAN MOTOR |
| IFM | INDOOR FAN BOARD |
| PLR | PHASE LOSS RELAY |
| PLRC | PHASE LOSS RELAY CONTACT |
| SRB | STATUS RELAY BOARD |
| RV | REVERSING VALVE |
| TB | TERMINAL BLOCK |
| TBL2W | TERMINAL BLOCK LINK 2 WAY |
| UC8 | UNIT CONTROLLER 8 |

| | |
|------|----------------------------|
| CCB | CONTROL CIRCUIT BREAKER |
| CM | COMPRESSOR MOTOR |
| CMC | COMPRESSOR CONTACTOR |
| CP2W | CONNECTOR PLUG 2 WAY |
| CP4W | CONNECTOR PLUG 4 WAY |
| EEV | ELECTRONIC EXPANSION VALVE |
| E2RB | EXV2 RELAY BOARD |

| Sensors (S) / Transducers (T) | Name | Type | Colour |
|-------------------------------|----------------|------|--------|
| DL | Discharge Temp | S | RED |
| SL | Suction Temp | S | WHITE |
| LPT | Low Pressure | T | |
| HPT | High Pressure | T | |
| OC | Return Air | S | BLACK |

| REV | DESCRIPTION | ECN | DATE | APPROVED |
|-----|-----------------------------------|-------|----------|----------|
| A | Initial Release | | | |
| B | FRB & SRB now fitted as standard | N3941 | 25-05-17 | D.A.B. |
| C | Now renamed to HWP 255 | | 19-06-17 | D.A.B. |
| D | Exbox redesign - numerous changes | N3941 | 26-04-18 | D.A.B. |

Drawing No: 291-002-212
 SHEET 1 OF 1
 Rev: D
 Title: HWP 255RKTU UC8 Wiring Schematic
 Date: 13-02-17
 Drawn: D.A.B.
 Apprvd: SR
 Client Wiring
 DO NOT SCALE - ASK
 ©temperzone Ltd 2017

| Model | HWP 255CEKTY |
|---|---------------------------|
| Item No. (Standard / Opposite Hand) | 510-255-102 / 510-255-112 |
| Cooling capacity (net) to AS/NZS 3823 T1 | 24.8 kW |
| Heating capacity - Electric heat | 12.0 kW |
| Electrical input - cooling | 5.1 kW |
| Electrical input - heating | 12.7 kW |
| EER / AEER (cooling) | 4.86 / 4.84 |
| Unit Controller | UC8 |
| Refrigerant | R410A |
| Refrigerant charge | 3.0 kg |
| Compressor type | scroll |
| Water connections | 1" male BSP |
| Nominal EWT on cooling | 30°C |
| Nominal EAT on cooling | 27°C db, 19°C wb |
| Nominal Water Flow @ EWT – LWT = 5k | 1.53 l/s |
| Entering system pressure drop @ nominal flow | 48 kPa (7 psi) |
| Min. water temp. Cool cycle at nominal flow & EAT | 15°C |
| Min. water temp. Cool cycle with water flow control valve | 5°C |
| Max. EWT Cool cycle at nominal flow & EAT | 50°C |
| Min. water flow @ nominal EWT & EAT | 0.43 l/s |
| Max. water pressure – excluding hoses | 3200 kPa (464 psi) |
| Power supply | 3 ph. 400V ac 50Hz |
| Compressor run amps at rating cond. | 8 A/ph. |
| Indoor fan motor size | 900 W |
| Indoor fan motor (1ph.) - full load | 5 A |
| Control circuit breaker (internal) | 10 A |
| Running amps (total system) | 11 / 8 / 8 A |
| Max. running amps (total system) | 22 / 17.5 / 17.5 A |
| Net weight | 190 kg |

Accessories:

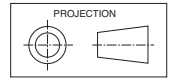
| | |
|--|-------------------------|
| Spring mounts | supplied |
| Water hoses 800mm long, rated 2070 kPa (300 psi) | 1" female BSP, supplied |
| Replacement filter | 119-000-104 1398x405x13 |
| Condensate lift-pump | 507-003-010 |

Optional:

| | |
|-------------------------------------|-------------|
| SAT-3 Room temperature controller | 201-000-146 |
| TZT-100 Room temperature controller | 201-000-350 |

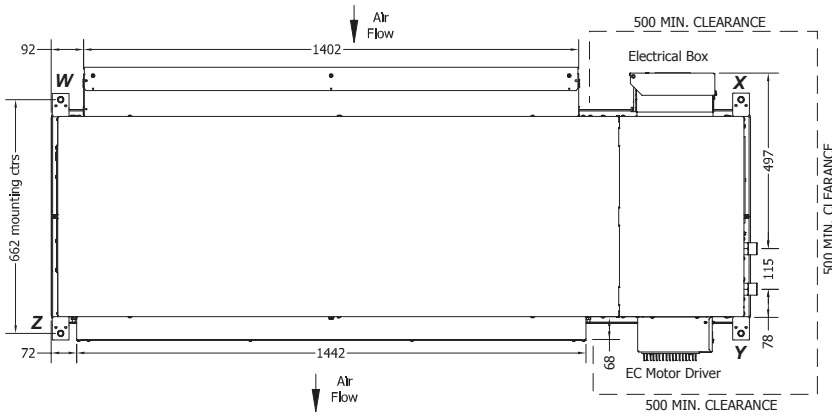
Refer to temperzone for other options, eg remote sensors

DIMENSIONS (mm)



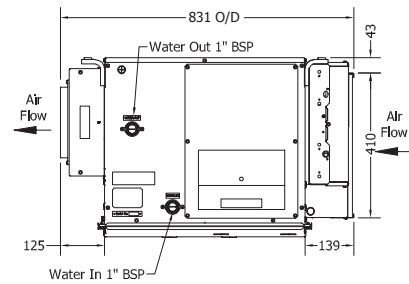
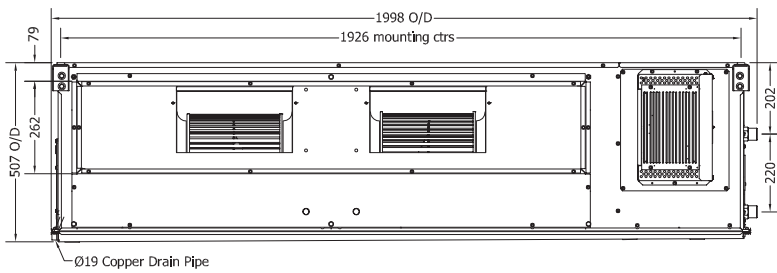
Not to Scale

HWP 255CEKTY Standard



| POINT LOADS (kg) | | | |
|------------------|----|----|----|
| W | X | Y | Z |
| 42 | 61 | 60 | 27 |

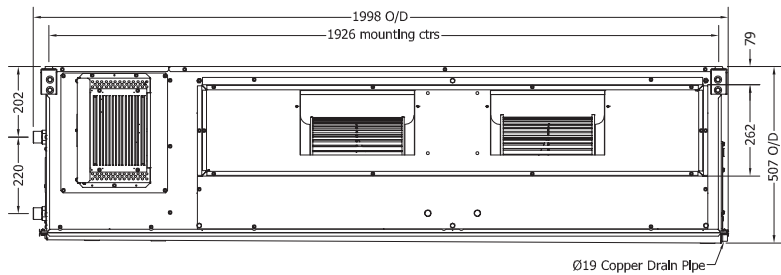
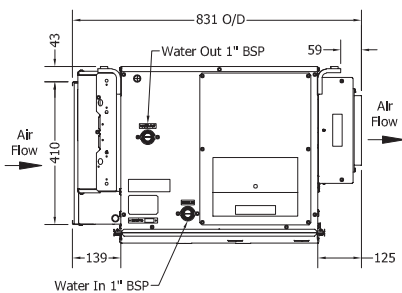
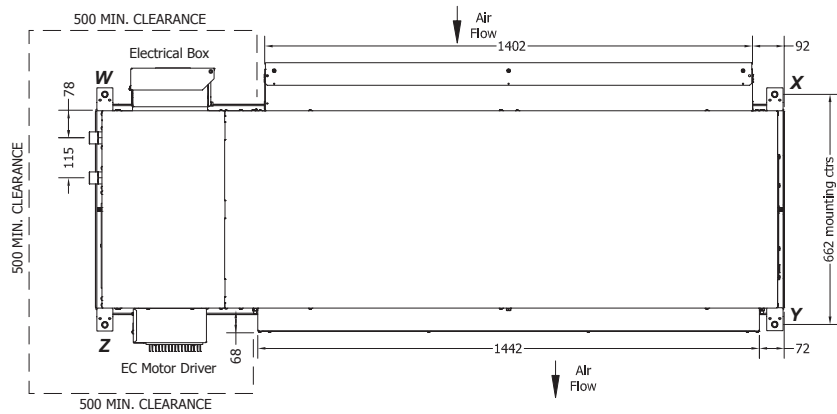
Note: Fan motor can be accessed from panel above, below or sides; no more than two panels at once.



HWP 255CEKTY Opposite Hand

| POINT LOADS (kg) | | | |
|------------------|----|----|----|
| W | X | Y | Z |
| 60 | 42 | 27 | 61 |

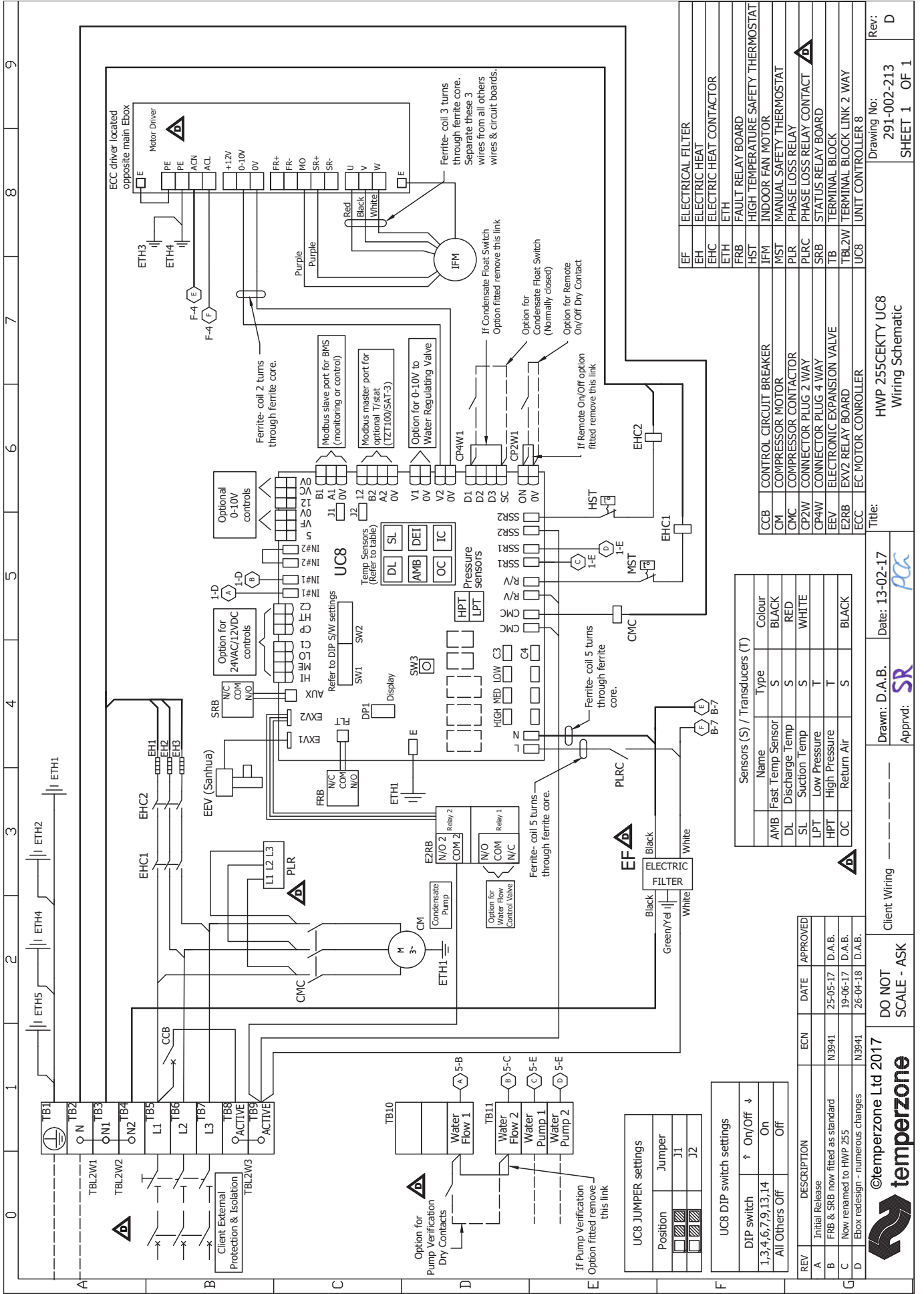
Note: Fan motor can be accessed from panel above, below or sides; no more than two panels at once.



NOTE

Specifications are subject to change without notice due to the manufacturer's ongoing research and development programme.





| | |
|-------|------------------------------------|
| EF | ELECTRICAL FILTER |
| EH | ELECTRIC HEAT |
| EHC | ELECTRIC HEAT CONTACTOR |
| ETH | ETH |
| FRB | FAULT RELAY BOARD |
| HST | HIGH TEMPERATURE SAFETY THERMOSTAT |
| IFM | INDOOR FAN MOTOR |
| MST | MANUAL SAFETY THERMOSTAT |
| PLR | PHASE LOSS RELAY |
| PLRC | PHASE LOSS RELAY CONTACT |
| SRB | STATUS RELAY BOARD |
| TB | TERMINAL BLOCK |
| TBL2W | TERMINAL BLOCK LINK 2 WAY |
| UC8 | UNIT CONTROLLER 8 |

| | |
|------|----------------------------|
| CCB | CONTROL CIRCUIT BREAKER |
| CM | COMPRESSOR MOTOR |
| CMC | COMPRESSOR CONTACTOR |
| CP2W | CONNECTOR PLUG 2 WAY |
| CP4W | CONNECTOR PLUG 4 WAY |
| EEV | ELECTRONIC EXPANSION VALVE |
| E2RB | EXV2 RELAY BOARD |
| ECC | EC MOTOR CONTROLLER |

| Sensors (S) / Transducers (T) | | |
|-------------------------------|------------------|--------|
| Name | Type | Colour |
| AMB | Fast Temp Sensor | BLACK |
| DL | Discharge Temp | RED |
| SL | Suction Temp | WHITE |
| LPT | Low Pressure | T |
| HPT | High Pressure | T |
| OC | Return Air | BLACK |

| REV | DESCRIPTION | ECN | DATE | APPROVED |
|-----|----------------------------------|-------|----------|----------|
| A | Initial Release | | | |
| B | FRB & SRB now fitted as standard | N3941 | 25-05-17 | D.A.B. |
| C | Now renamed to HWP 255 | | 19-06-17 | D.A.B. |
| D | Ebox redesign - numerous changes | N3941 | 26-04-18 | D.A.B. |

| | |
|--------------------------|--------|
| UC8 JUMPER settings | |
| Position | Jumper |
| <input type="checkbox"/> | J1 |
| <input type="checkbox"/> | J2 |

| | |
|-------------------------|----------|
| UC8 DIP switch settings | |
| DIP switch | On/Off ↓ |
| 1,3,4,6,7,9,13,14 | On |
| All Others Off | Off |

Client Wiring

DO NOT SCALE - ASK

©temperzone Ltd 2017

temperzone

Drawn: D.A.B. Date: 13-02-17

Appvd: **SR**

Title: HWP 255CKEY UC8 Wiring Schematic

Drawing No: 291-002-213

Rev: D SHEET 1 OF 1

