

# SPECIFICATIONS



<b>Model</b>	<b>HWP 118RKTY</b>
Item No. (Standard/Opposite Hand)	510-118-001 / 510-118-011
Cooling capacity (net) to AS/NZS 3823 T1	11.9 kW
Heating capacity H1	11.6 kW
Electrical input - cooling	2.9 kW
Electrical input - heating	2.9 kW
EER / AEER (cooling)	4.17 / 4.16
COP / ACOP (heating)	3.92 / 3.91
Unit Controller	UC8
Refrigerant	R410A
Refrigerant charge	2.0 kg
Compressor type	rotary
Water connections	3/4" male BSP
Nominal EWT/EAT on cooling	30°C / 27°C db, 19°C wb
Nominal EWT/EAT on heating	20°C / 20°C
Nominal Water Flow @ EWT – LWT = 5k	0.75 l/s
Entering system pressure drop @ nominal flow	55 kPa (8 psi)
Min. water temp. Heat cycle at nominal flow & EAT	10°C
Min. water temp. Cool cycle at nominal flow & EAT	15°C
Min. water temp. Cool cycle with water regulating valve	5°C
Max. EWT Heat cycle at nominal flow & EAT	30°C
Max. EWT Cool cycle at nominal flow & EAT	50°C
Min. water flow @ nominal EWT & EAT	0.21 l/s
Max. water pressure – excluding hoses	3200 kPa (464psi)
Power supply	3 ph. 400V ac 50Hz
Compressor run amps at rating cond.	4.1 A/ph.
Indoor fan motor size	600 W (EC)
Indoor fan motor (1ph.) - full load	3.1 A
Control circuit breaker (internal)	10 A
Running amps (total system)	4.9 / 4.1 / 4.1 A
Max. running amps (total system)	9.6 / 6.3 / 6.3 A
Net weight	118 kg

### Accessories:

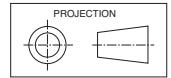
Spring mounts	supplied
Water hoses 600mm long, rated 1720 kPa (250psi)	3/4" female BSP, supplied
Replacement filter - rated EU2/G2	119-000-097 763x328x13
Condensate lift-pump	507-003-010

### Optional:

SAT-3 Room temperature controller	201-000-146
TZT-100 Room temperature controller	201-000-350

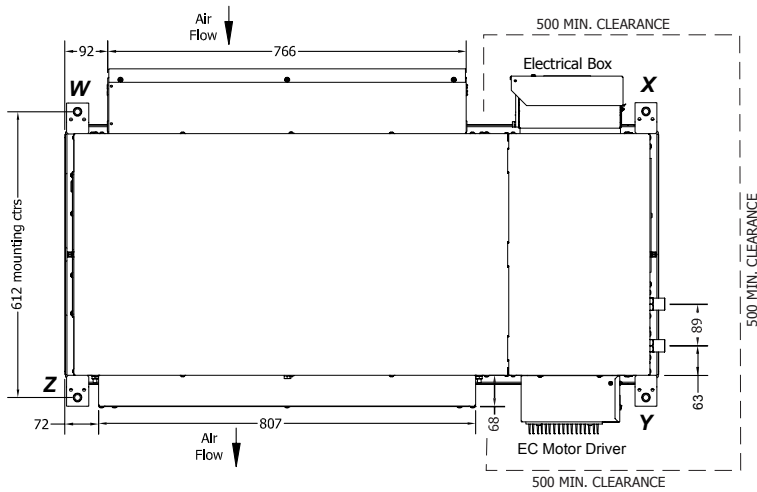
Refer to temperzone for other options, eg remote sensors

# DIMENSIONS (mm)



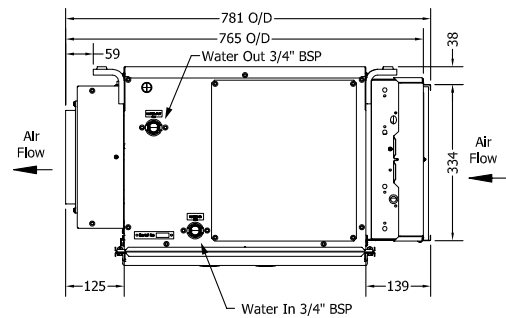
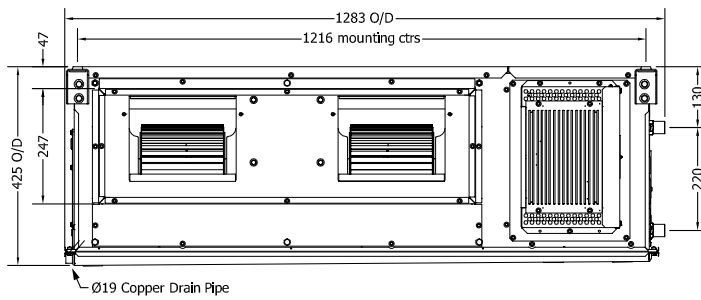
Not to Scale

## HWP 118RKTY Standard



POINT LOADS (kg)			
W	X	Y	Z
21	20	40	36

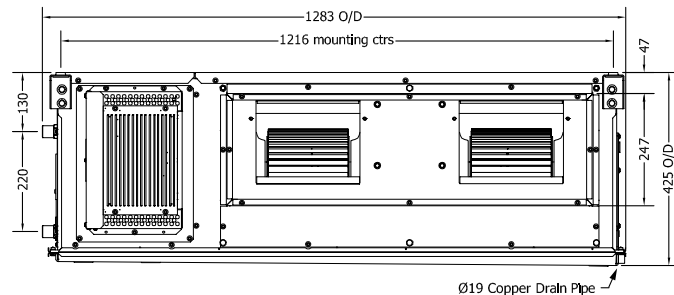
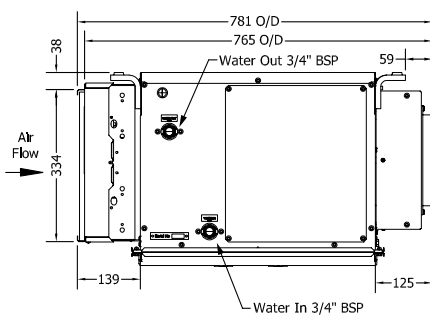
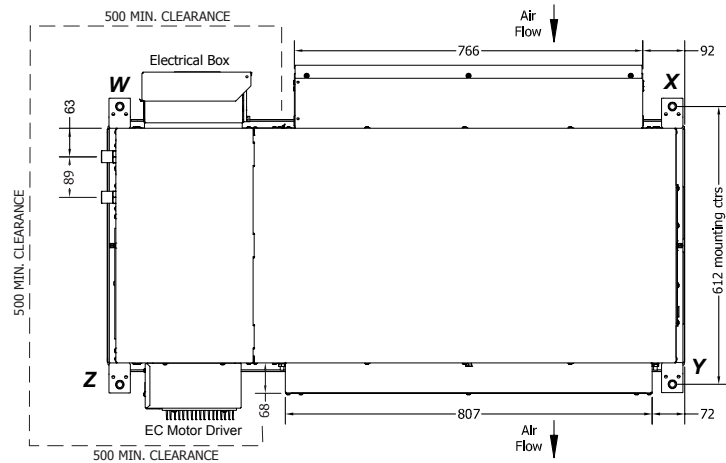
**Note:** Fan motor can be accessed from panel above, below or sides; no more than two panels at once.



## HWP 118RKTY Opposite Hand

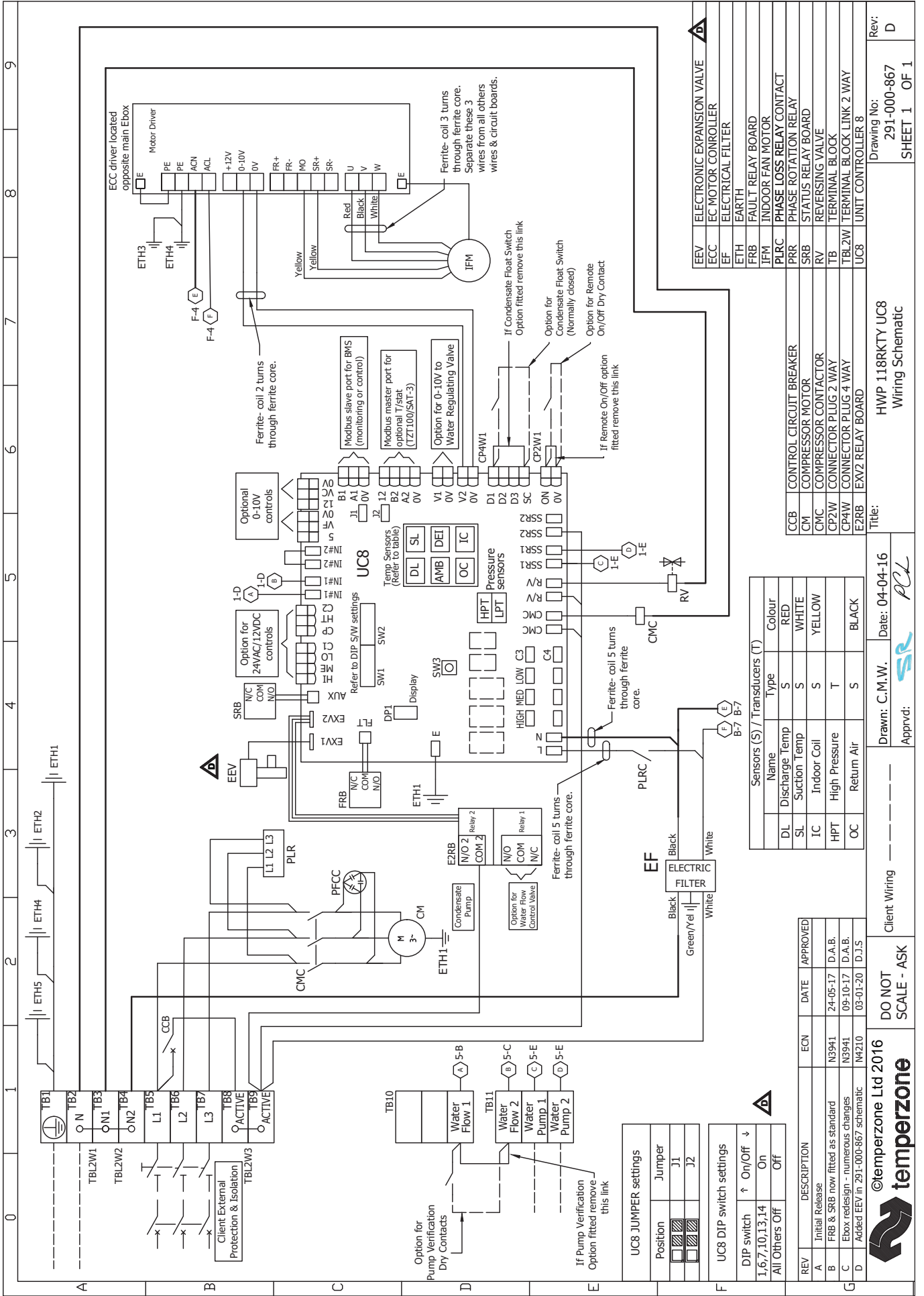
POINT LOADS (kg)			
W	X	Y	Z
20	21	36	40

**Note:** Fan motor can be accessed from panel above, below or sides; no more than two panels at once.



### NOTE

Specifications are subject to change without notice due to the manufacturer's ongoing research and development programme.



EEV	ELECTRONIC EXPANSION VALVE
ECC	EC MOTOR CONTROLLER
EF	ELECTRICAL FILTER
ETH	EARTH
IFM	INDOOR FAN MOTOR
FRB	FAULT RELAY BOARD
PLRC	PHASE LOSS RELAY CONTACT
PRR	PHASE ROTATION RELAY
SRB	STATUS RELAY BOARD
RV	REVERSING VALVE
TB	TERMINAL BLOCK
TBL2W1	TERMINAL BLOCK LINK 2 WAY
UC8	UNIT CONTROLLER 8

Sensors (S) / Transducers (T)		
Name	Type	Colour
DL	Discharge Temp	RED
SL	Suction Temp	WHITE
IC	Indoor Coil	YELLOW
HPT	High Pressure	T
OC	Return Air	BLACK

REV	DESCRIPTION	ECN	DATE	APPROVED
A	Initial Release			
B	FRB & SRB now fitted as standard	N3941	24-05-17	D.A.B.
C	Ebox redesign - numerous changes	N3941	09-10-17	D.A.B.
D	Added EEV in 291-000-867 schematic	N4210	03-01-20	D.J.S.



DO NOT SCALE - ASK

Client Wiring

Drawn: C.M.W. Date: 04-04-16  
 Apprvd: *SR* *ACL*

Title: HWP 118RKTU UC8 Wiring Schematic

Drawing No: 291-000-867  
 SHEET 1 OF 1  
 Rev: D



<b>Model</b>	<b>HWP 118CEKTY</b>
Item No. (Standard/Opposite Hand)	510-118-102 / 510-118-112
Cooling capacity (net) to AS/NZS 3823 T1	11.9 kW
Heating capacity - Electric heat	6.0 kW
Electrical input - cooling	2.9 kW
Electrical input - heating	6.3 kW
EER / AEER (cooling)	4.17 / 4.16
Unit Controller	UC8
Refrigerant	R410A
Refrigerant charge	1.78 kg
Compressor type	rotary
Water connections	3/4" male BSP
Nominal EWT on cooling	30°C
Nominal EAT on cooling	27°C db, 19°C wb
Nominal Water Flow @ EWT – LWT = 5k	0.75 l/s
Entering system pressure drop @ nominal flow	55 kPa (8 psi)
Min. water temp. Cool cycle at nominal flow & EAT	15°C
Min. water temp. Cool cycle with water regulating valve	5°C
Max. EWT Cool cycle at nominal flow & EAT	50°C
Min. water flow @ nominal EWT & EAT	0.21 l/s
Max. water pressure – excluding hoses	3200 kPa (464 psi)
Power supply	3 ph. 400V ac 50Hz
Compressor run amps at rating cond.	4.1 A/ph.
Indoor fan motor size	600 W (EC)
Indoor fan motor (1ph.) - full load	3.1 A
Control circuit breaker (internal)	10 A
Running amps (total system)	4.9 / 4.1 / 4.1 A
Running amps – electric heat	1.4 / 13 / 13 A
Max. running amps (total system)	9.6 / 13 / 13 A
Net weight	117 kg

**Accessories:**

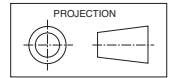
Spring mounts	supplied
Water hoses 600mm long, rated 1720 kPa (250psi)	3/4" female BSP, supplied
Replacement filter - rated EU2/G2	119-000-097 763x328x13
Condensate lift-pump	507-003-010

**Optional:**

SAT-3 Room temperature controller	201-000-146
TZT-100 Room temperature controller	201-000-350

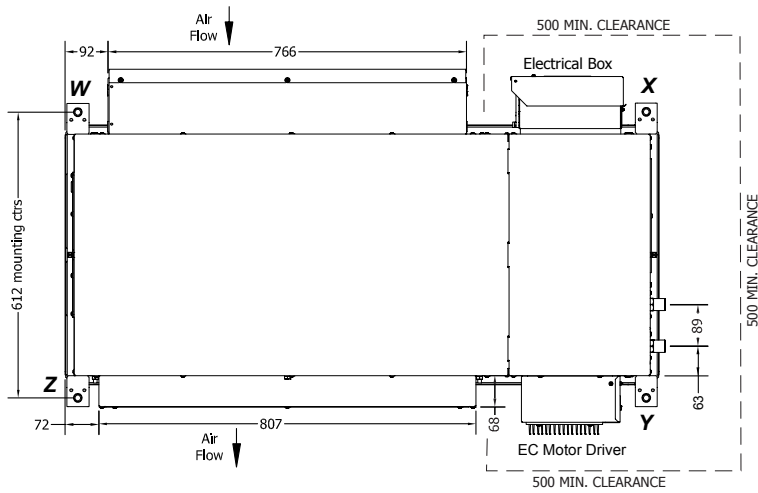
Refer to temperzone for other options, eg remote sensors

# DIMENSIONS (mm)



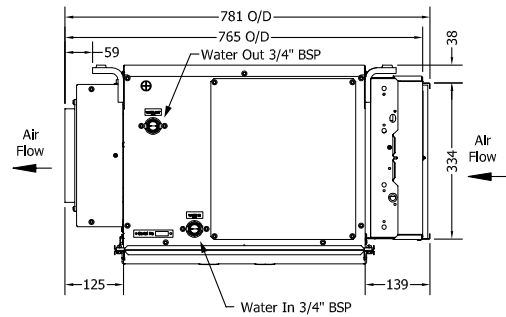
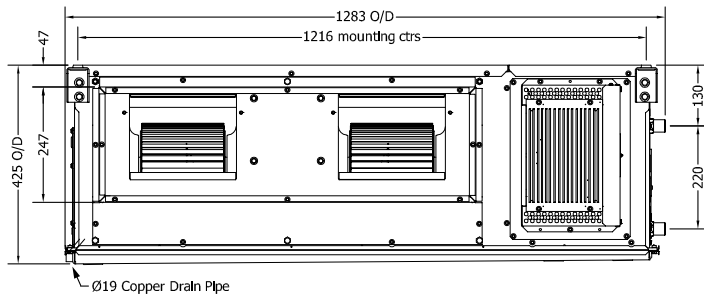
Not to Scale

## HWP 118CEKTY Standard



POINT LOADS (kg)			
W	X	Y	Z
21	20	40	36

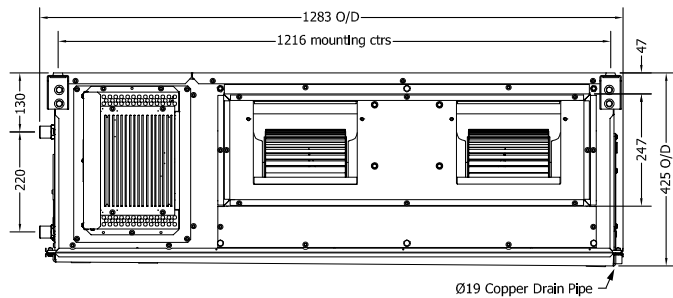
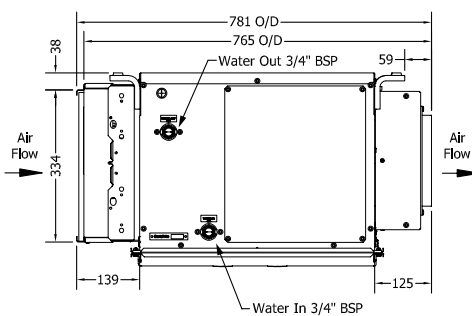
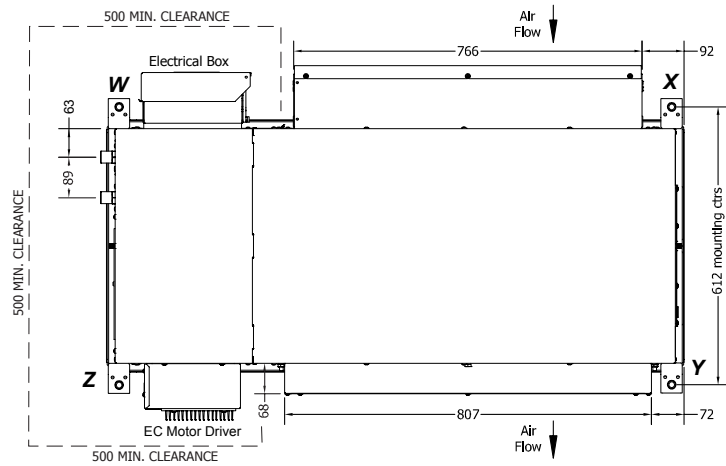
**Note:** Fan motor can be accessed from panel above, below or sides; no more than two panels at once.



## HWP 118CEKTY Opposite Hand

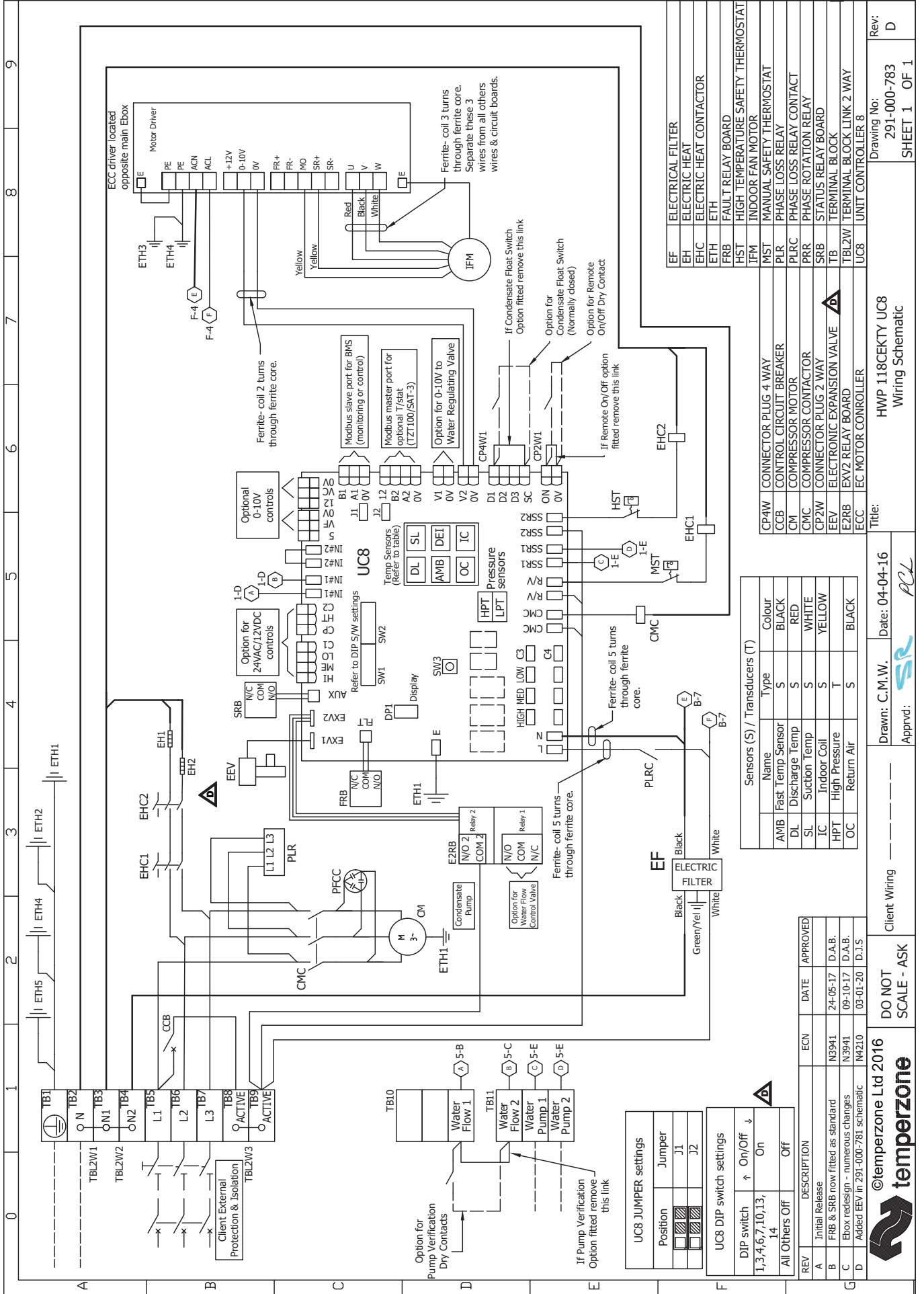
POINT LOADS (kg)			
W	X	Y	Z
20	21	36	40

**Note:** Fan motor can be accessed from panel above, below or sides; no more than two panels at once.



### NOTE

Specifications are subject to change without notice due to the manufacturer's ongoing research and development programme.



Rev: D  
Drawing No: 291-000-783  
SHEET 1 OF 1

Title: HWP 118CKEY UC8  
Wiring Schematic

Drawn: C.M.W. Date: 04-04-16  
Apprvd: *PC*

Client Wiring  
DO NOT SCALE - ASK

©temperzone Ltd 2016  
**temperzone**

