

SPECIFICATIONS



Model	OPA 855RKTBG-P ECO
Configuration	Downward Supply Air
Item No. (Standard / Opposite Hand)	866-086-723 / 866-086-732
Unit c/w Fresh Air Cowl (OPA 855RKTBG-PC)	868-086-723 / 868-086-732
Cooling capacity (net) to AS/NZS 3823 T1	79.4 kW
Heating capacity H1	78.0 kW
Electrical input - cooling	25.6 kW
Electrical input - heating	23.8 kW
EER / AEER (cooling)	3.10 / 3.09
COP / ACOP (heating)	3.28 / 3.27
Unit Controller	UC8 (x2)
Refrigerant	R410A
Refrigerant Charge	15 kg/sys.
Compressor oil type	POE 32-3MAF (or equivalent)
Compressor type	digital scroll (x2)
Power supply	3 ph. 400V ac 50Hz + N + E
Compressor (3ph.) run amps at rating cond.	21 A/ph. (x2)
Compressor overload setting	28 A (x2)
Compressor circuit breaker	63 A (x2)
Indoor fan motor size	EC Plug 500 dia. 2.65kW (x2)
Nominal air flow at rating conditions	4200 l/s
Indoor fan motor (3ph.)	4.5 A/ph. (x2)
Outdoor fan motor (1ph.) - full load	1.7 A (x4)
Outdoor fan capacitor size	8 μ fd (x4)
Control circuit breaker (internal)	4 A
Auxiliary power outlet (1ph.) overload setting	10 A
Running amps (total system)	45 / 52 / 45 A
Max. running amps (total system)	58 / 64 / 56 A
Net weight	1146 kg
Weight c/w Fresh Air Cowl option	1189 kg

Accessories:

Filters - rated EU4/G4 disposable	019-400-008 500x450x50 (x9)
-----------------------------------	-----------------------------

Optional Controls:

TZT-100 Room temperature controller	201-000-350
-------------------------------------	-------------

Refer to temperzone for other options.

Tested in accordance with AS/NZS 3823

16090

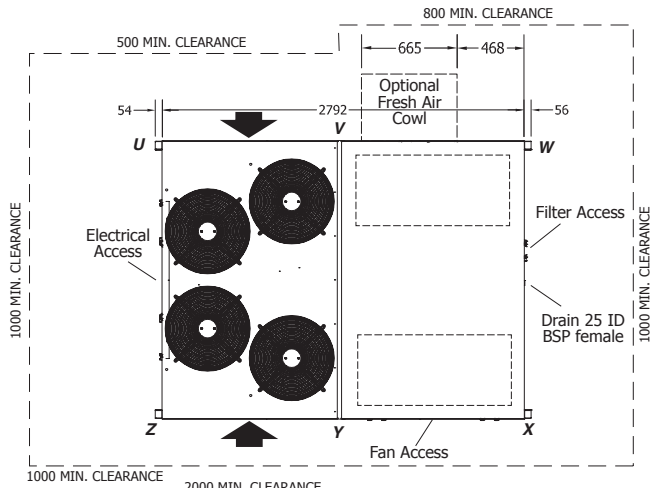


DIMENSIONS (mm)

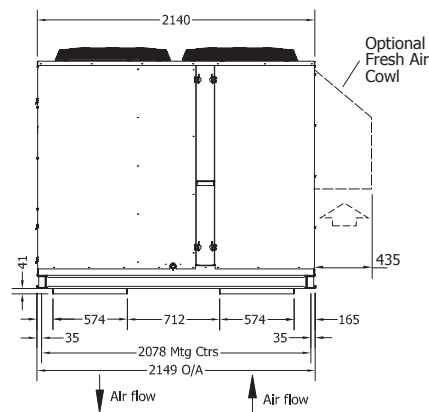
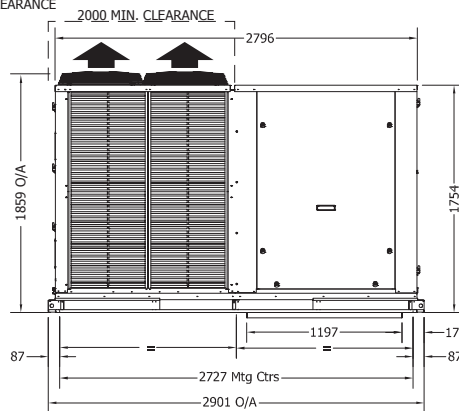


OPA 855RKTBG23-P(C) Standard Hand

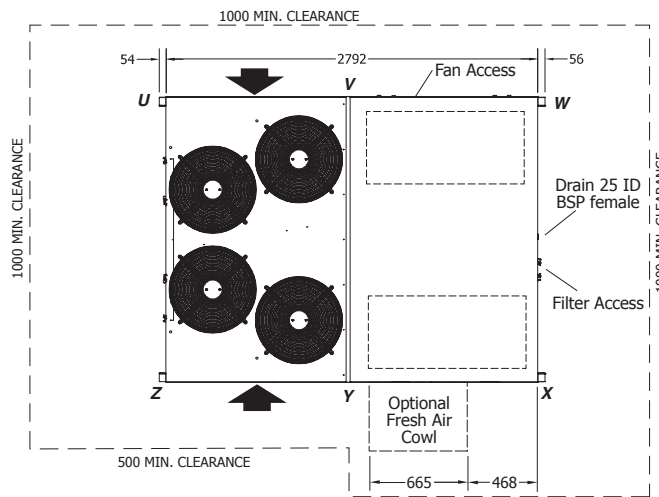
Not to Scale



	POINT LOADS (kg)					
	U	V	W	X	Y	Z
no F/A	204	180	155	195	202	210
cw F/A	224	195	167	189	207	207



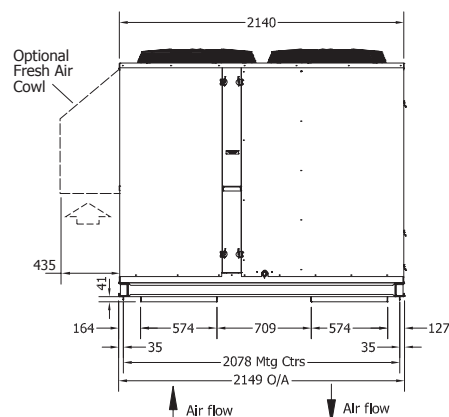
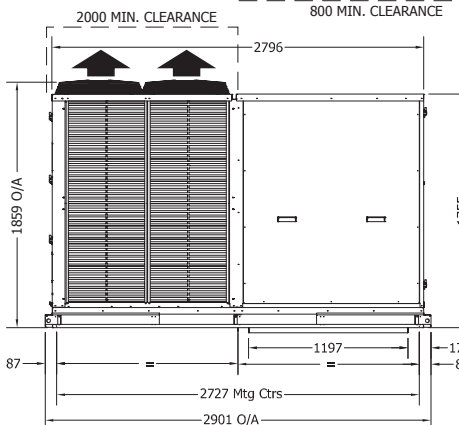
OPA 855RKTBG32-P(C) Opposite Hand



	POINT LOADS (kg)					
	U	V	W	X	Y	Z
no F/A	210	202	195	155	180	204
cw F/A	207	207	189	167	195	224

NOTE

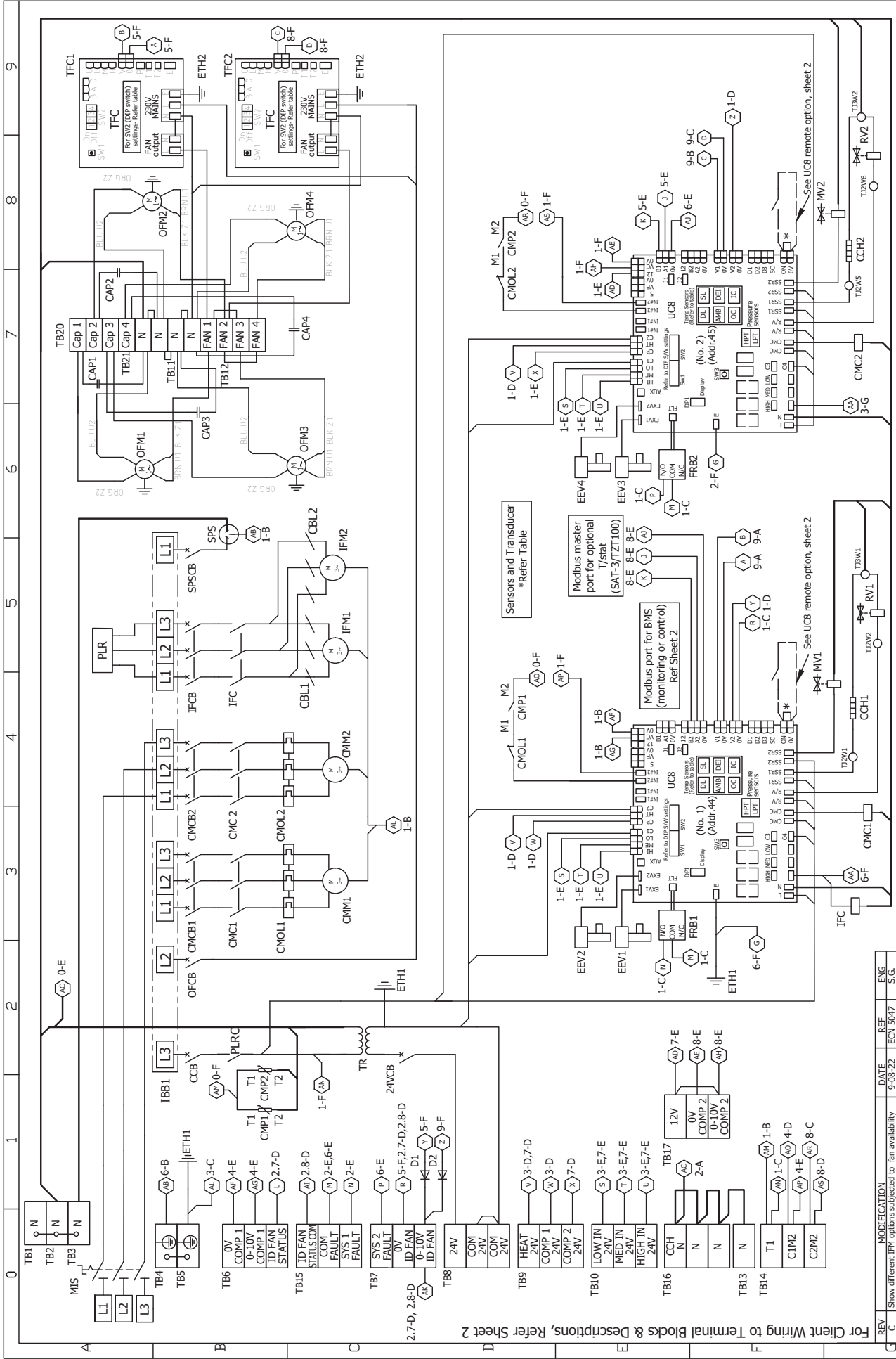
Specifications are subject to change without notice due to the manufacturer's ongoing research and development programme.



NOTE

Specifications are subject to change without notice due to the manufacturer's ongoing research and development programme.





For Client Wiring to Terminal Blocks & Descriptions, Refer Sheet 2

REV	MODIFICATION	DATE	REF	ENG
C	Show different I/FN options subjected to fan availability	9-08-22	ECN 5047	S.G.
B	TZT100 Label 12/24V was 24. 0V/COM was 24	16-08-21	IM358	R.P.B.

Client Wiring: *PJL* Date: 04-02-21 Title: *Pfku*

DO NOT SCALE - ASK

©temperzone Ltd 2021 **temperzone**

OPA 855RKTBG-P UC8 Wiring Schematic

Drawing No: 291-003-413 SHEET 1 OF 2

Rev: C

