

SPECIFICATIONS



| | |
|--|-----------------------------|
| Model | OPA 550RKTBG-P ECO |
| Configuration | Horizontal Supply Air |
| Item No. (Standard / Opposite Hand) | 866-055-701 / 866-055-710 |
| Unit c/w Fresh Air Cowl (OPA 550RKTBG-PC) | 868-055-701 / 868-055-710 |
| Cooling capacity (net) to AS/NZS 3823 T1 | 52.9 kW |
| Heating capacity H1 | 53.4 kW |
| Electrical input - cooling | 18.1 kW |
| Electrical input - heating | 15.5 kW |
| EER / AEER (cooling) | 2.93 / 2.92 |
| COP / ACOP (heating) | 3.35 / 3.34 |
| Unit Controller | UC8 (x2) |
| Refrigerant | R410A |
| Refrigerant Charge | 9.5 kg/sys. |
| Compressor oil type | POE 32-3MAF (or equivalent) |
| Compressor type | digital + fixed scroll |
| Power supply | 3 ph. 400V ac 50Hz |
| Compressor (3ph.) run amps at rating cond. | 14 A/ph. (x2) |
| Compressor overload setting | 17 / 17 A |
| Compressor circuit breaker | 32 A (x2) |
| Indoor fan motor size | EC plug 560 dia. 3.5kW |
| Nominal air flow at rating conditions | 2800 l/s |
| Indoor fan motor (3ph.) - full load | 6 A/ph. |
| Outdoor fan motor (1ph.) - full load | 4.5 A (x2) |
| Outdoor fan capacitor size | n/a |
| Control circuit breaker (internal) | 2 A |
| Auxiliary power outlet (1ph.) overload setting | 10 A |
| Running amps (total system) | 29 / 38 / 29 A |
| Max. running amps (total system) | 36 / 46 / 37 A |
| Net weight | 878 kg |
| Weight c/w Fresh Air Cowl option | 913 kg |

Accessories:

| | |
|-----------------------------------|--|
| Filters - rated EU4/G4 disposable | 019-400-010 450x600x50 (x2) 019-400-007 600x600x50 (x2) |
|-----------------------------------|--|

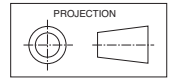
Optional Controls:

| | |
|-------------------------------------|-------------|
| TZT-100 Room temperature controller | 201-000-350 |
|-------------------------------------|-------------|

Refer to temperzone for other options.

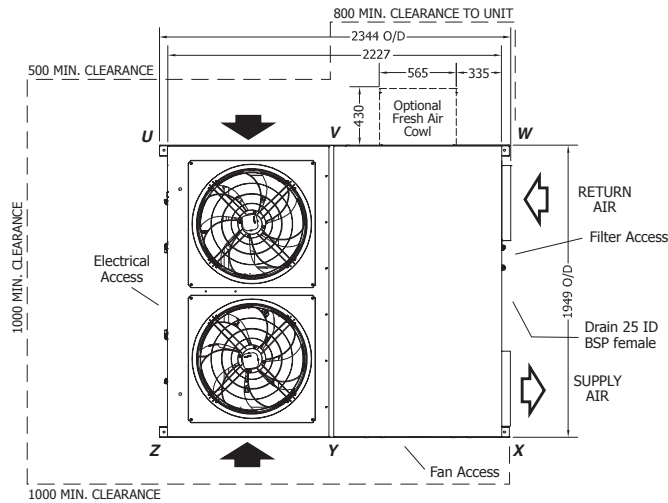
Tested in accordance with AS/NZS 3823

16120

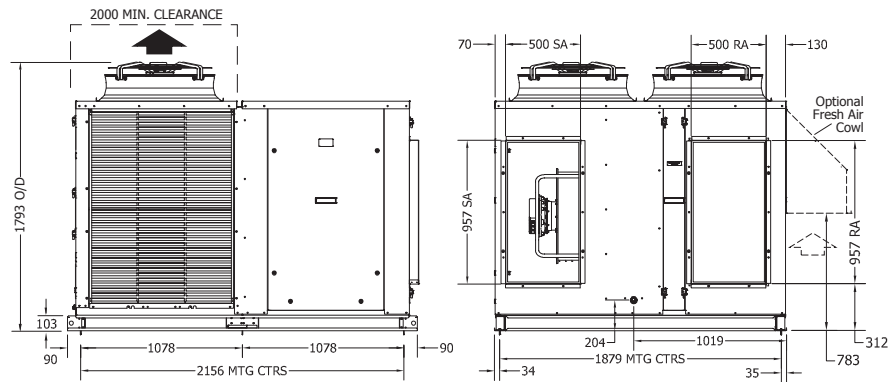


Not to Scale

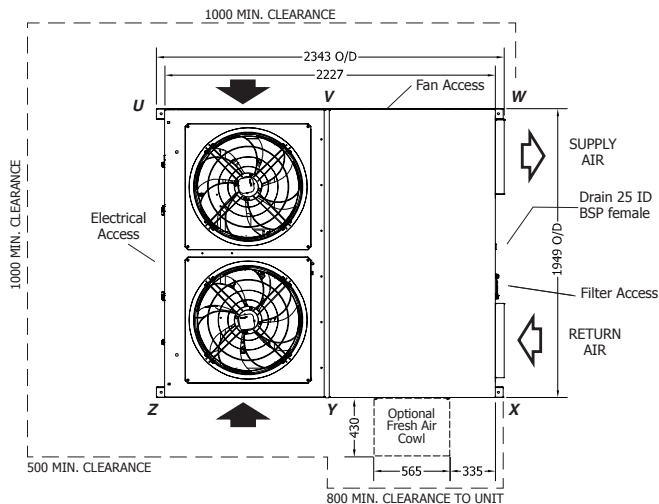
OPA 550RKTBG01-P(C) Standard Hand



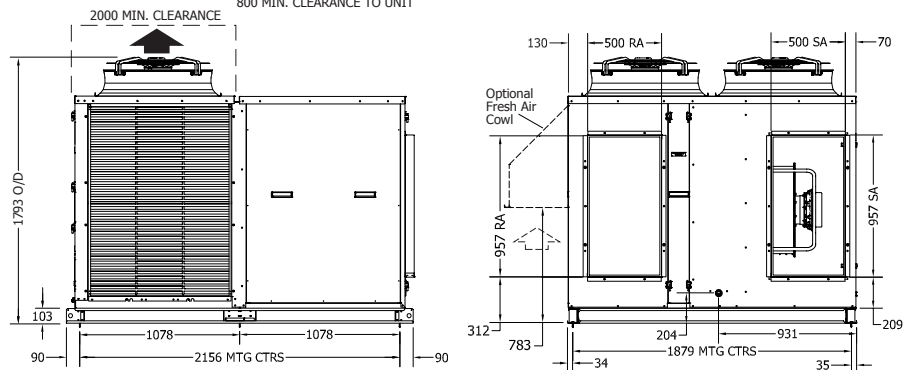
| | POINT LOADS (kg) | | | | | |
|--------|------------------|-----|-----|-----|-----|-----|
| | U | V | W | X | Y | Z |
| no F/A | 158 | 143 | 127 | 139 | 150 | 161 |
| cw F/A | 164 | 155 | 137 | 142 | 153 | 162 |



OPA 550RKTBG10-P(C) Opposite Hand

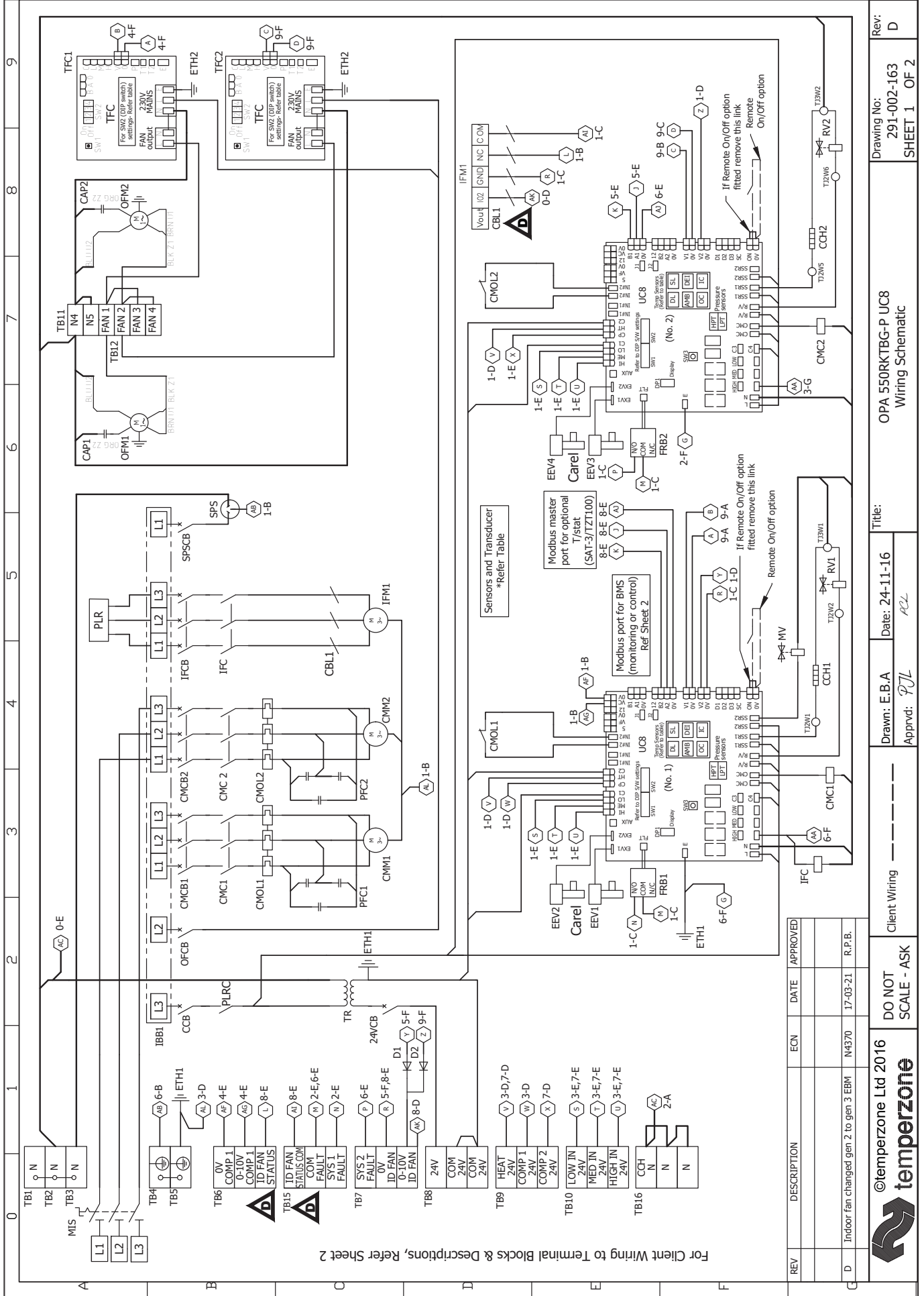


| | POINT LOADS (kg) | | | | | |
|--------|------------------|-----|-----|-----|-----|-----|
| | U | V | W | X | Y | Z |
| no F/A | 161 | 150 | 139 | 127 | 143 | 158 |
| cw F/A | 162 | 153 | 142 | 137 | 155 | 164 |



NOTE

Specifications are subject to change without notice due to the manufacturer's ongoing research and development programme.



For Client Wiring to Terminal Blocks & Descriptors, Refer Sheet 2

| REV | DESCRIPTION | ECN | DATE | APPROVED |
|-----|---------------------------------------|-------|----------|----------|
| D | Indoor fan changed Gen 2 to gen 3 EBM | N4370 | 17-03-21 | R.P.B. |

©temperzone Ltd 2016


DO NOT SCALE - ASK

Client Wiring

Drawn: E.B.A
 Date: 24-11-16
 P.J.L
 Approved: P.J.L

Title: OPA 550RKTBG-P UC8
 Wiring Schematic

Rev: D
 Drawing No: 291-002-163
 SHEET 1 OF 2

| 0 | 1 | 2 | 3 | 4 | 5 | 6 | 7 | 8 | 9 | | | | | | | | | | | | | | | | | | | | | | | | | | | | | | | | | | |
|---|--|---|----------|----------------------|------|--|-------------------|--|-----|-----------------|-------------|-------|------------------|----------|-------|--|--------------|----------|----------------------|--|--|-------------------|--------|--------------|--|----------------|--------------------|--|---|------------|--------|------------|----|----------------|-----|--|--|------------|--------|---|----|------------|-----|
| <p>Important Notes:</p> <p>1) Crankcase Heater Note 24 Hour power required for control circuit and crankcase heaters</p> <p>2) SAT-3 & TZT 100 Note To connect TZT100 to unit use 2 pair twisted cable - screen grounded. (F/UTP 24G (0.2mm²) or thicker recommended)</p> <p>3) Master-slave note When the unit is controlled with a TZT-100 or SAT-3 wall thermostat then the two UC8 controllers must be linked and configured as master and slave. Master DIP switch settings: 11 OFF 12 OFF Slave DIP switch settings: 11 ON 12 OFF</p> | | <p>Sensors (S) / Transducers (T)</p> <table border="1" style="width:100%; border-collapse: collapse;"> <tr> <th>Name</th> <th>Type</th> <th>Colour</th> </tr> <tr> <td>DL Discharge Temp</td> <td>S</td> <td>RED</td> </tr> <tr> <td>SL Suction Temp</td> <td>S</td> <td>WHITE</td> </tr> <tr> <td>AMB Ambient Temp</td> <td>S</td> <td>BLACK</td> </tr> <tr> <td>DEI De-ice Temp</td> <td>S</td> <td>BLUE</td> </tr> <tr> <td>LPT Suction Pressure</td> <td>T</td> <td></td> </tr> <tr> <td>HPT High Pressure</td> <td>T</td> <td></td> </tr> </table> | | Name | Type | Colour | DL Discharge Temp | S | RED | SL Suction Temp | S | WHITE | AMB Ambient Temp | S | BLACK | DEI De-ice Temp | S | BLUE | LPT Suction Pressure | T | | HPT High Pressure | T | | <p>Client Protection and Isolator Switch</p> | | <p>BMS Control</p> | | <p>Remote option</p> <p>If Remote On/Off option fitted remove this link</p> <p>Remote On/Off option</p> | | | | | | | | | | | | | | |
| Name | Type | Colour | | | | | | | | | | | | | | | | | | | | | | | | | | | | | | | | | | | | | | | | | |
| DL Discharge Temp | S | RED | | | | | | | | | | | | | | | | | | | | | | | | | | | | | | | | | | | | | | | | | |
| SL Suction Temp | S | WHITE | | | | | | | | | | | | | | | | | | | | | | | | | | | | | | | | | | | | | | | | | |
| AMB Ambient Temp | S | BLACK | | | | | | | | | | | | | | | | | | | | | | | | | | | | | | | | | | | | | | | | | |
| DEI De-ice Temp | S | BLUE | | | | | | | | | | | | | | | | | | | | | | | | | | | | | | | | | | | | | | | | | |
| LPT Suction Pressure | T | | | | | | | | | | | | | | | | | | | | | | | | | | | | | | | | | | | | | | | | | | |
| HPT High Pressure | T | | | | | | | | | | | | | | | | | | | | | | | | | | | | | | | | | | | | | | | | | | |
| <p>SAT-3 & TZT100 connection to UC8 terminals</p> <table border="1" style="width:100%; border-collapse: collapse;"> <tr> <th>UC8 terminals(No.1)</th> <th>SAT-3</th> <th>TZT100 Terminals</th> </tr> <tr> <td>12</td> <td>12V</td> <td>24</td> </tr> <tr> <td>B2</td> <td>B</td> <td>B</td> </tr> <tr> <td>A2</td> <td>A</td> <td>A</td> </tr> <tr> <td>0V</td> <td>GND</td> <td>24C</td> </tr> <tr> <td>Screen to 0V</td> <td></td> <td></td> </tr> </table> | | UC8 terminals(No.1) | SAT-3 | TZT100 Terminals | 12 | 12V | 24 | B2 | B | B | A2 | A | A | 0V | GND | 24C | Screen to 0V | | | <p>UC8 DIP switch settings (No.1)</p> <table border="1" style="width:100%; border-collapse: collapse;"> <tr> <th>DIP switch</th> <th>On/Off</th> </tr> <tr> <td>1,2,4,6,7,10</td> <td>On</td> </tr> <tr> <td>All Others Off</td> <td>Off</td> </tr> </table> | | DIP switch | On/Off | 1,2,4,6,7,10 | On | All Others Off | Off | <p>UC8 DIP switch settings (No.2)</p> <table border="1" style="width:100%; border-collapse: collapse;"> <tr> <th>DIP switch</th> <th>On/Off</th> </tr> <tr> <td>1,4,6,7,10</td> <td>On</td> </tr> <tr> <td>All Others Off</td> <td>Off</td> </tr> </table> | | DIP switch | On/Off | 1,4,6,7,10 | On | All Others Off | Off | <p>TFC DIP switch settings</p> <table border="1" style="width:100%; border-collapse: collapse;"> <tr> <th>DIP switch</th> <th>On/Off</th> </tr> <tr> <td>-</td> <td>On</td> </tr> <tr> <td>1, 2, 3, 4</td> <td>Off</td> </tr> </table> | | DIP switch | On/Off | - | On | 1, 2, 3, 4 | Off |
| UC8 terminals(No.1) | SAT-3 | TZT100 Terminals | | | | | | | | | | | | | | | | | | | | | | | | | | | | | | | | | | | | | | | | | |
| 12 | 12V | 24 | | | | | | | | | | | | | | | | | | | | | | | | | | | | | | | | | | | | | | | | | |
| B2 | B | B | | | | | | | | | | | | | | | | | | | | | | | | | | | | | | | | | | | | | | | | | |
| A2 | A | A | | | | | | | | | | | | | | | | | | | | | | | | | | | | | | | | | | | | | | | | | |
| 0V | GND | 24C | | | | | | | | | | | | | | | | | | | | | | | | | | | | | | | | | | | | | | | | | |
| Screen to 0V | | | | | | | | | | | | | | | | | | | | | | | | | | | | | | | | | | | | | | | | | | | |
| DIP switch | On/Off | | | | | | | | | | | | | | | | | | | | | | | | | | | | | | | | | | | | | | | | | | |
| 1,2,4,6,7,10 | On | | | | | | | | | | | | | | | | | | | | | | | | | | | | | | | | | | | | | | | | | | |
| All Others Off | Off | | | | | | | | | | | | | | | | | | | | | | | | | | | | | | | | | | | | | | | | | | |
| DIP switch | On/Off | | | | | | | | | | | | | | | | | | | | | | | | | | | | | | | | | | | | | | | | | | |
| 1,4,6,7,10 | On | | | | | | | | | | | | | | | | | | | | | | | | | | | | | | | | | | | | | | | | | | |
| All Others Off | Off | | | | | | | | | | | | | | | | | | | | | | | | | | | | | | | | | | | | | | | | | | |
| DIP switch | On/Off | | | | | | | | | | | | | | | | | | | | | | | | | | | | | | | | | | | | | | | | | | |
| - | On | | | | | | | | | | | | | | | | | | | | | | | | | | | | | | | | | | | | | | | | | | |
| 1, 2, 3, 4 | Off | | | | | | | | | | | | | | | | | | | | | | | | | | | | | | | | | | | | | | | | | | |
| <table border="1" style="width:100%; border-collapse: collapse;"> <tr> <th>REV</th> <th>DESCRIPTION</th> <th>ECN</th> <th>DATE</th> <th>APPROVED</th> </tr> <tr> <td>D</td> <td>Indoor fan changed from gen 2 to gen 3 EBM</td> <td>N4370</td> <td>17-03-21</td> <td>R.P.B.</td> </tr> </table> | | | | | | | | | | REV | DESCRIPTION | ECN | DATE | APPROVED | D | Indoor fan changed from gen 2 to gen 3 EBM | N4370 | 17-03-21 | R.P.B. | | | | | | | | | | | | | | | | | | | | | | | | |
| REV | DESCRIPTION | ECN | DATE | APPROVED | | | | | | | | | | | | | | | | | | | | | | | | | | | | | | | | | | | | | | | |
| D | Indoor fan changed from gen 2 to gen 3 EBM | N4370 | 17-03-21 | R.P.B. | | | | | | | | | | | | | | | | | | | | | | | | | | | | | | | | | | | | | | | |
| | | <p>©temperzone Ltd 2016</p> <p>DO NOT SCALE - ASK</p> | | <p>Client Wiring</p> | | <p>Drawn: E.B.A</p> <p>Apprvd: PUL</p> | | <p>Date: 24-11-16</p> <p>ACZ</p> | | | | | | | | | | | | | | | | | | | | | | | | | | | | | | | | | | | |
| <p>Title: OPA 550RKTBG-P UC8 Wiring Schematic</p> | | | | | | | | <p>Drawing No: 291-002-163</p> <p>SHEET 2 OF 2</p> | | | | | | | | | | | | | | | | | | | | | | | | | | | | | | | | | | | |
| <p>Rev: D</p> | | | | | | | | <p>Rev: D</p> | | | | | | | | | | | | | | | | | | | | | | | | | | | | | | | | | | | |