

Model	HWP 98RKS
Item No. (Standard/Opposite Hand)	509-098-001 / 509-098-011
Cooling capacity (net) to AS/NZS 3823 T1	9.8 kW
Heating capacity H1	11.1 kW
Electrical input - cooling	2.6 kW
Electrical input - heating	2.6 kW
EER / AEER (cooling)	3.77 / 3.76
Unit Controller	UC8
Refrigerant	R410A
Refrigerant charge	2.1 kg
Compressor type	scroll
Water connections	3/4" male BSP
Nominal EWT/EAT on cooling	30°C / 27°C db, 19°C wb
Nominal EWT/EAT on heating	20°C / 20°C
Nominal Water Flow @ EWT – LWT = 5k	0.65 l/s
Entering system pressure drop @ nominal flow	41 kPa (6 psi)
Min. water temp. Heat cycle at nominal flow & EAT	10°C
Min. water temp. Cool cycle at nominal flow & EAT	15°C
Min. water temp. Cool cycle with water flow control valve	5°C
Max. EWT Heat cycle at nominal flow & EAT	30°C
Max. EWT Cool cycle at nominal flow & EAT	50°C
Min. water flow @ nominal EWT & EAT	0.18 l/s
Max. water pressure – excluding hoses	3200 kPa (464 psi)
Power supply	1 ph. 230V ac 50Hz
Compressor run amps at rating cond.	10 A
Compressor run capacitor	55 μ fd
Indoor fan motor size	230 W
Indoor fan motor (1ph.) - full load	1.8 A
Control circuit breaker (internal)	10 A
Running amps (total system)	11.5 A
Max. running amps (total system)	16.3 A
Net weight	112 kg

Accessories:

Spring mounts	supplied
Water hoses 600mm long, rated 250 psi	3/4" female BSP, supplied
Replacement filter	119-000-084 693x328x13
Condensate lift-pump	507-003-010

Optional:

SAT-3 Room temperature controller	201-000-146
TZT-100 Room temperature controller	201-000-350

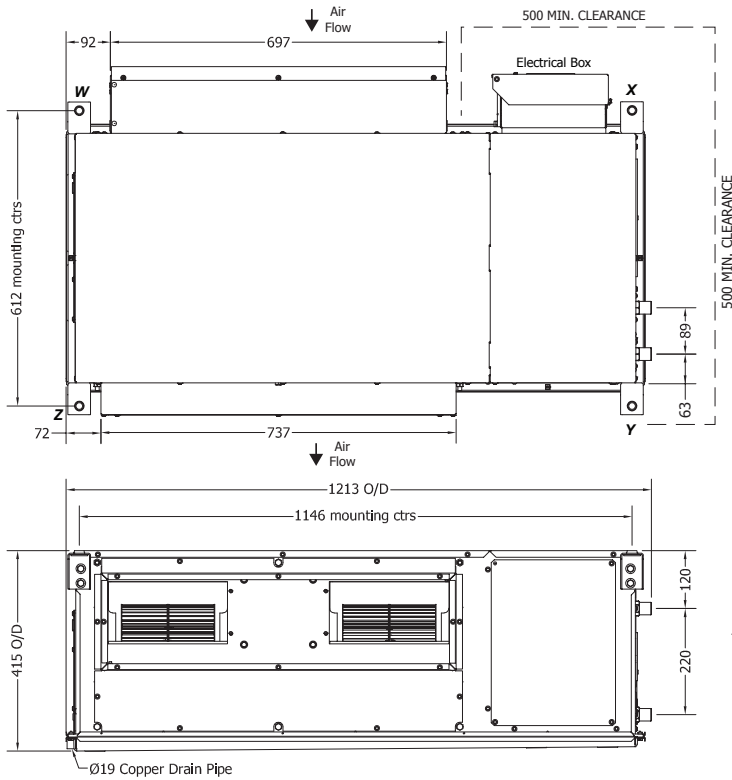
Refer to temperzone for other options, eg remote sensors

DIMENSIONS (mm)



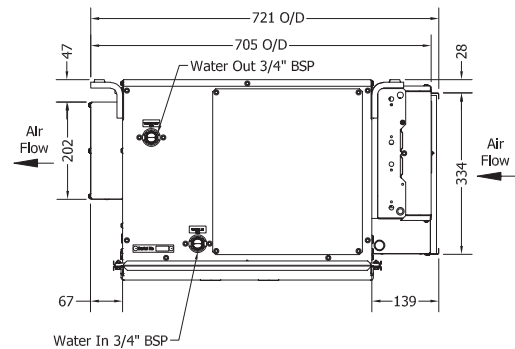
Not to Scale

HWP 98RKS Standard



POINT LOADS (kg)			
W	X	Y	Z
20	37	36	19

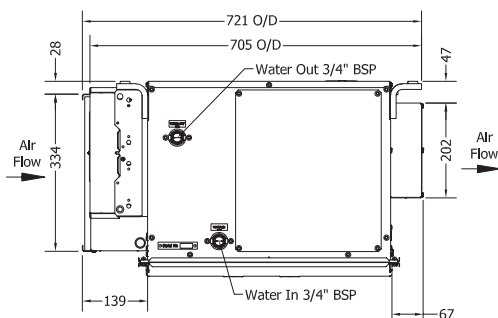
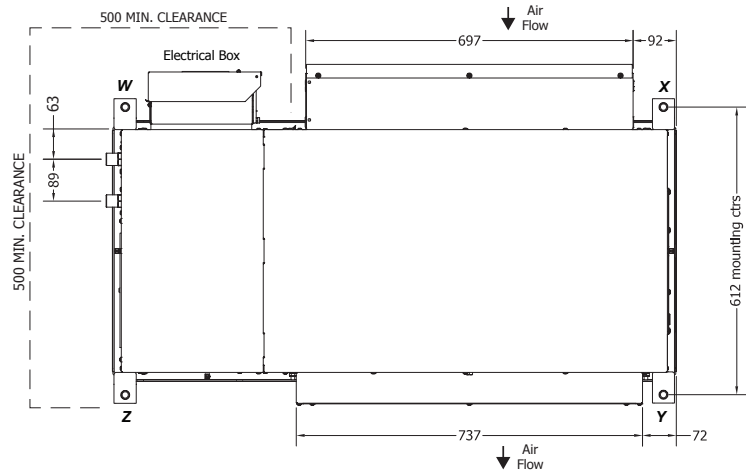
Note: Fan motor can be accessed from panel above, below or sides; no more than two panels at once.



HWP 98RKS Opposite Hand

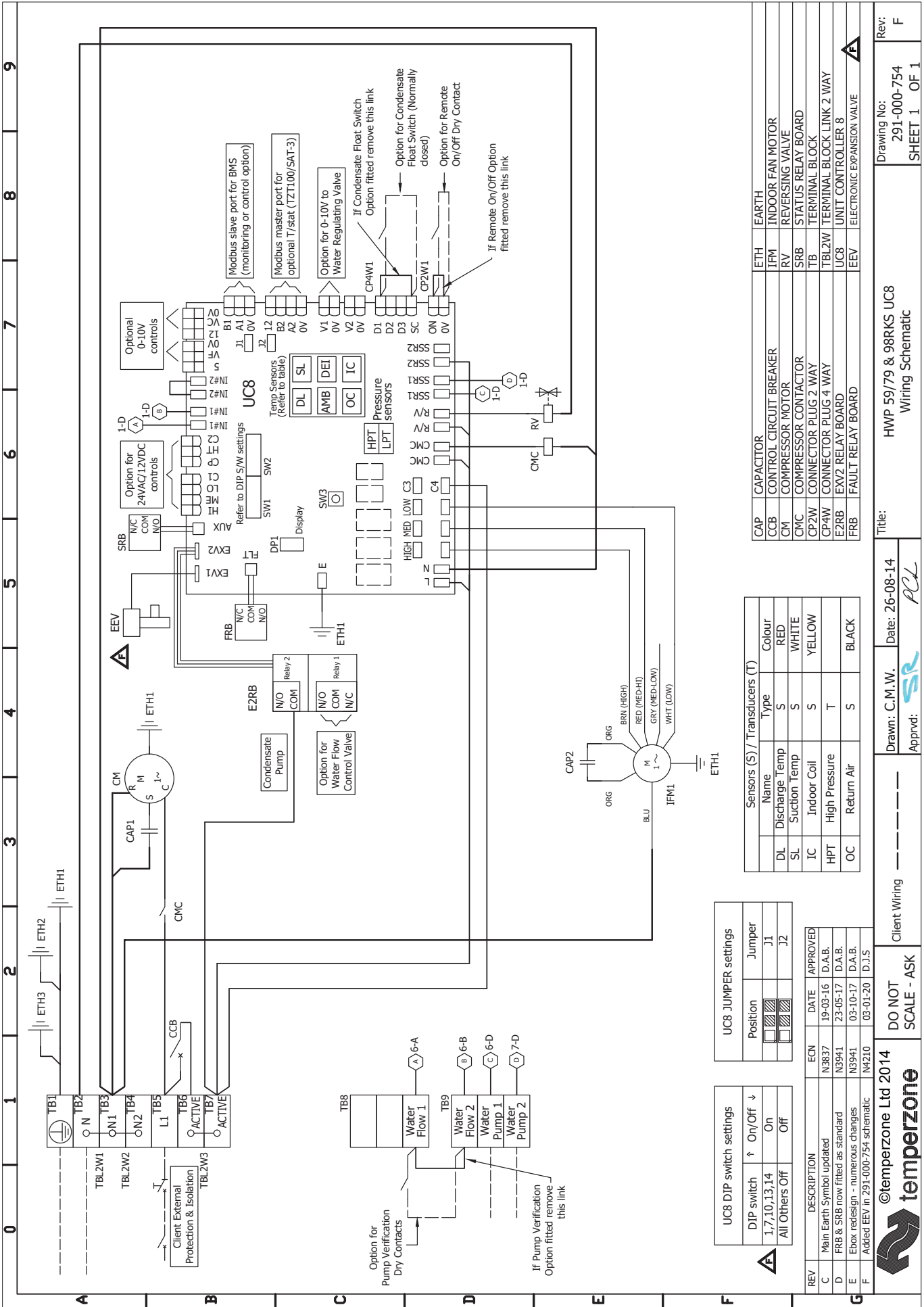
POINT LOADS (kg)			
W	X	Y	Z
36	19	20	37

Note: Fan motor can be accessed from panel above, below or sides; no more than two panels at once.



NOTE

Specifications are subject to change without notice due to the manufacturer's ongoing research and development programme.



UC8 DIP switch settings

DIP switch	On/Off
1,7,10,13,14	On
All Others	Off

UC8 JUMPER settings

Position	Jumper
J1	J1
J2	J2

REV	DESCRIPTION	ECN	DATE	APPROVED
C	Main Earth Symbol updated	N3837	19-03-16	D.A.B.
D	FRB & SRB now fitted as standard	N3941	23-05-17	D.A.B.
E	Ebox redesign - numerous changes	N3941	03-10-17	D.A.B.
F	Added EEV in 291-000-754 schematic	N4210	03-01-20	D.J.S

Sensors (S) / Transducers (T)

Name	Type	Colour
DL Discharge Temp	S	RED
SL Suction Temp	S	WHITE
IC Indoor Coil	S	YELLOW
HPT High Pressure	T	
OC Return Air	S	BLACK

CAP	CAPACITOR	ETH	EARTH
CCB	CONTROL CIRCUIT BREAKER	IFM	INDOOR FAN MOTOR
CM	COMPRESSOR MOTOR	IRV	REVERSING VALVE
CMC	COMPRESSOR CONTACTOR	SRB	STATUS RELAY BOARD
CP2W	CONNECTOR PLUG 2 WAY	TB	TERMINAL BLOCK
CP4W	CONNECTOR PLUG 4 WAY	TBL2W	TERMINAL BLOCK LINK 2 WAY
E2RB	EXV2 RELAY BOARD	UC8	UNIT CONTROLLER 8
FRB	FAULT RELAY BOARD	EEV	ELECTRONIC EXPANSION VALVE


temperzone
 ©temperzone Ltd 2014

Client Wiring DO NOT SCALE - ASK

Drawn: C.M.W. Date: 26-08-14 Title: HWP 59/79 & 98RKS UC8 Wiring Schematic
 Approved: *PCL*

Rev: 291-000-754 SHEET 1 OF 1 F

SPECIFICATIONS



Model	HWP 98CKS	HWP 98CEKS
Item No. - Standard	509-098-101	509-098-102
Item No. - Opposite Hand	509-098-111	509-098-112
Cooling capacity (net) to AS/NZS 3823 T1	9.8 kW	
Heating capacity - Electric heat	n/a	4.0 kW
Electrical input - cooling	2.6 kW	
Electrical input - heating	n/a	4.4 kW
EER / AEER (cooling)	3.77 / 3.76	
Unit Controller	UC8	
Refrigerant	R410A	
Refrigerant charge	2.1 kg	
Compressor type	scroll	
Water connections	3/4" male BSP	
Nominal EWT on cooling	30°C	
Nominal EAT on cooling	27°C db, 19°C wb	
Nominal Water Flow @ EWT – LWT = 5k	0.65 l/s	
Entering system pressure drop @ nominal flow	41 kPa (6 psi)	
Min. water temp. Cool cycle at nominal flow & EAT	15°C	
Min. water temp. Cool cycle with water flow control valve	5°C	
Max. EWT Cool cycle at nominal flow & EAT	50°C	
Min. water flow @ nominal EWT & EAT	0.18 l/s	
Max. water pressure – excluding hoses	3200 kPa (464 psi)	
Power supply	1 ph. 230V ac 50Hz	
Compressor run amps at rating cond.	10 A	
Compressor run capacitor	55 μ fd	
Indoor fan motor size	230 W	
Indoor fan motor (1ph.) - full load	1.8 A	
Control circuit breaker (internal)	10 A	
Running amps (total system)	11.6 A	19.1 A
Max. running amps (total system)	16.3 A	19.2 A
Net weight	112 kg	114 kg

Accessories:

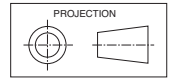
Spring mounts	supplied
Water hoses 600mm long, rated 250psi	3/4" female BSP, supplied
Replacement filter - rated EU2/G2	119-000-084 693x328x13
Condensate lift-pump	507-003-010

Optional:

SAT-3 Room temperature controller	201-000-146
TZT-100 Room temperature controller	201-000-350

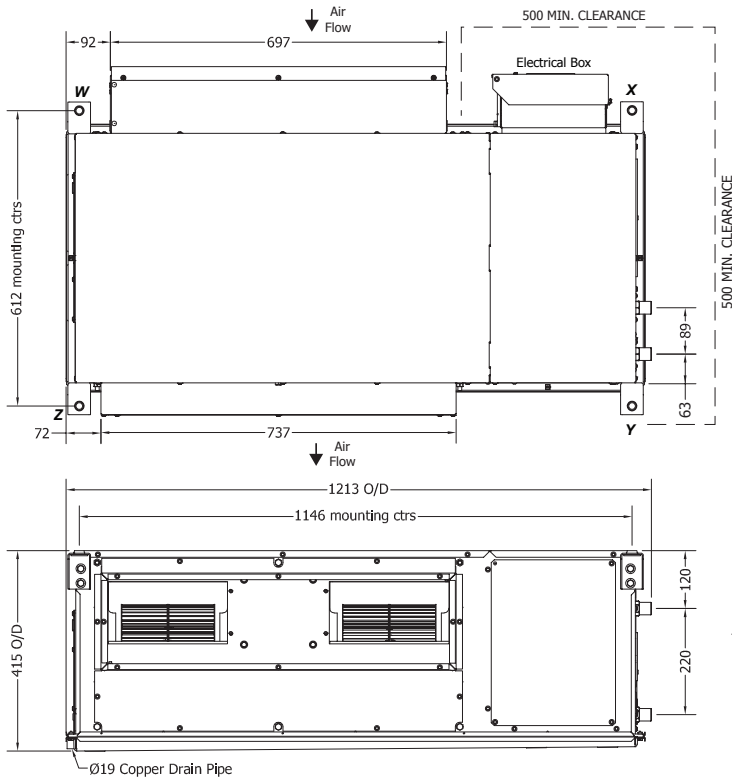
Refer to temperzone for other options, eg remote sensors

DIMENSIONS (mm)



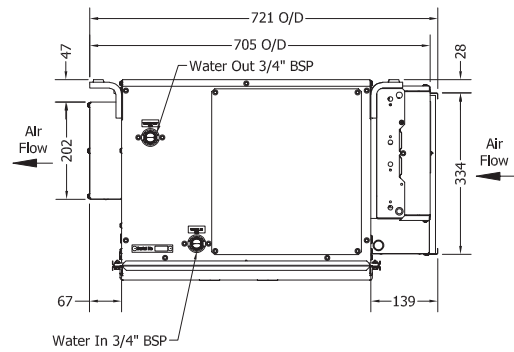
Not to Scale

HWP 98 CKS/CEKS Standard



POINT LOADS (kg)			
W	X	Y	Z
20	37	36	19

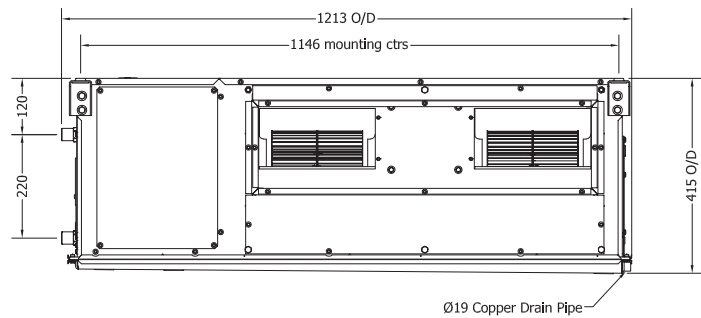
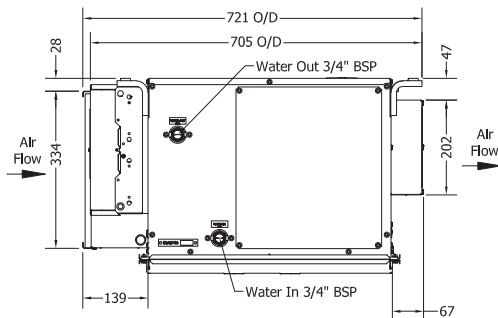
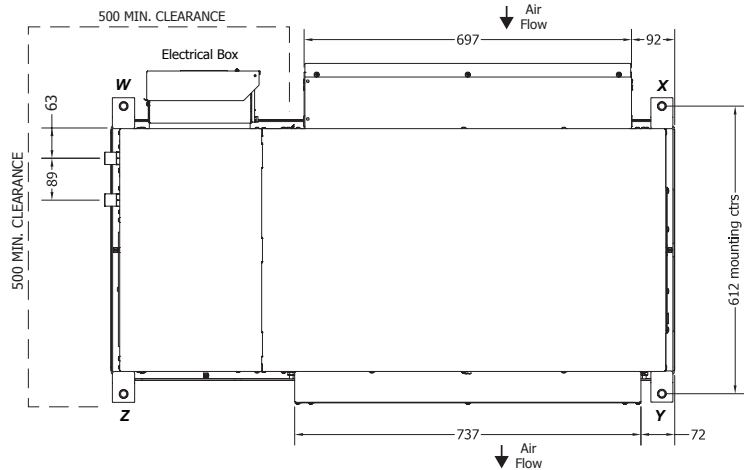
Note: Fan motor can be accessed from panel above, below or sides; no more than two panels at once.



HWP 98 CKS/CEKS Opposite Hand

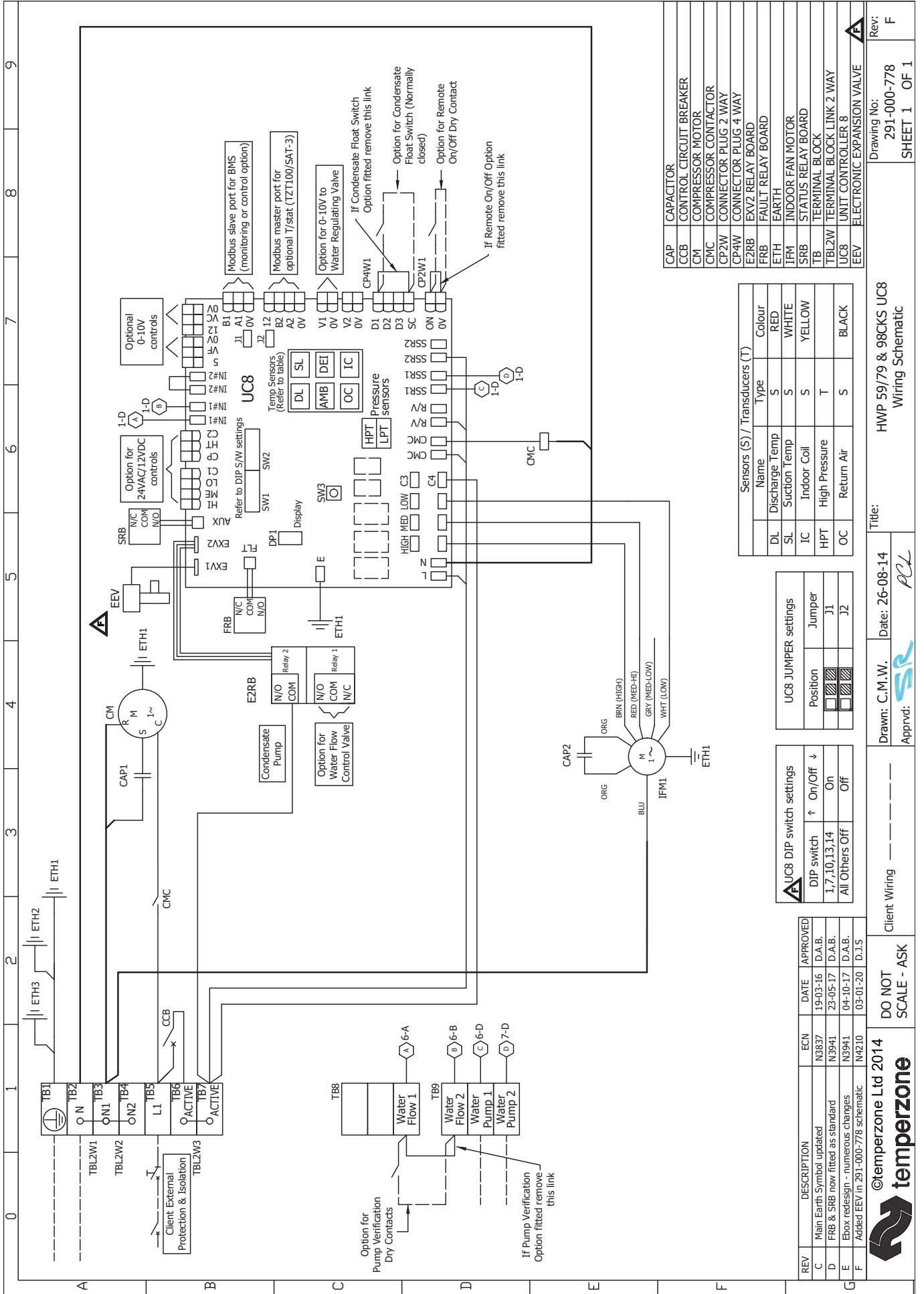
POINT LOADS (kg)			
W	X	Y	Z
36	19	20	37

Note: Fan motor can be accessed from panel above, below or sides; no more than two panels at once.



NOTE

Specifications are subject to change without notice due to the manufacturer's ongoing research and development programme.



0 1 2 3 4 5 6 7 8 9

REV	DESCRIPTION	ECN	DATE	APPROVED
C	Main Earth Symbol updated	N3837	19-03-16	D.A.B.
D	FRB & SRB now fitted as standard	N3941	23-05-17	D.A.B.
E	Ebox redesign - numerous changes	N3941	04-10-17	D.A.B.
F	Added EEV in 291-000-778 schematic	N4210	03-01-20	D.J.S

UC8 DIP switch settings	DIP switch	On/Off
	1,7,10,13,14	On
	All Others Off	Off

UC8 JUMPER settings	Position	Jumper
	J1	J1
	J2	J2

Sensors (S) / Transducers (T)		
Name	Type	Colour
DL	Discharge Temp	RED
SL	Suction Temp	WHITE
IC	Indoor Coil	YELLOW
HPT	High Pressure	T
OC	Return Air	S

CAP	CAPACITOR
CCB	CONTROL CIRCUIT BREAKER
CM	COMPRESSOR MOTOR
CMC	COMPRESSOR CONTACTOR
CP2W	CONNECTOR PLUG 2 WAY
CP4W	CONNECTOR PLUG 4 WAY
E2RB	EXV2 RELAY BOARD
FRB	FAULT RELAY BOARD
ETH	EARTH
IFM	INDOOR FAN MOTOR
SRB	STATUS RELAY BOARD
TB	TERMINAL BLOCK
TBL2W	TERMINAL BLOCK LINK 2 WAY
UC8	UNIT CONTROLLER 8
EEV	ELECTRONIC EXPANSION VALVE

Client Wiring

DO NOT SCALE - ASK

©temperzone Ltd 2014

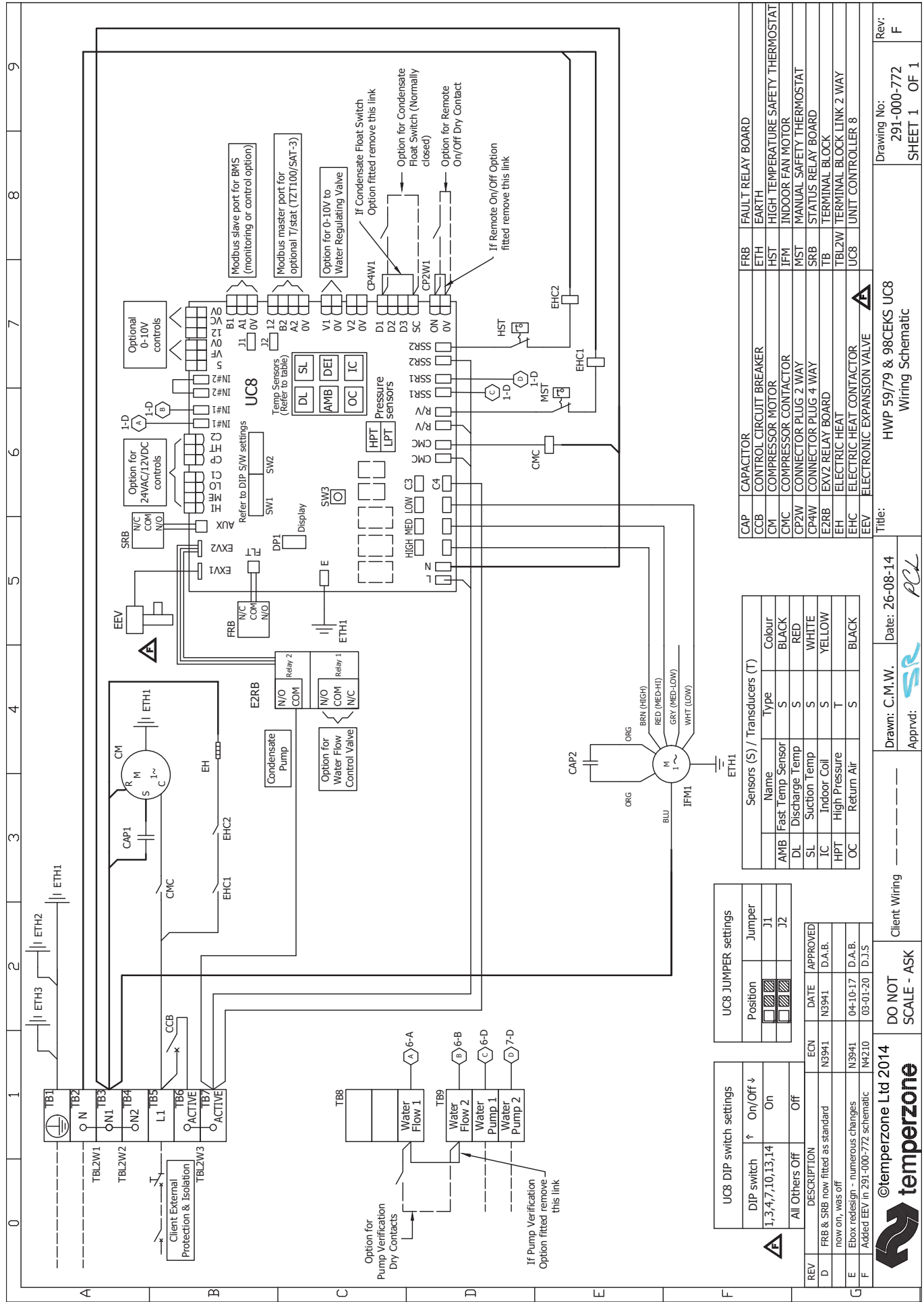
temperzone

Drawn: C.M.W. Date: 26-08-14

Approved: *PCL*

Title: HWP 59/79 & 98CK5 UC8 Wiring Schematic

Rev: 291-000-778 SHEET 1 OF 1



CAP	CAPACITOR	FRB	FAULT RELAY BOARD
CCB	CONTROL CIRCUIT BREAKER	ETH	EARTH
CM	COMPRESSOR MOTOR	HST	HIGH TEMPERATURE SAFETY THERMOSTAT
CMC	COMPRESSOR CONTACTOR	IFM	INDOOR FAN MOTOR
CP2W	CONNECTOR PLUG 2 WAY	IMT	MANUAL SAFETY THERMOSTAT
CP4W	CONNECTOR PLUG 4 WAY	SRB	STATUS RELAY BOARD
E2RB	EV2 RELAY BOARD	TB	TERMINAL BLOCK
EH	ELECTRIC HEAT	TBL2W	TERMINAL BLOCK LINK 2 WAY
EEV	ELECTRIC HEAT CONTACTOR	UC8	UNIT CONTROLLER 8

Sensors (S) / Transducers (T)			
Name	Type	Colour	
AMB	Fast Temp Sensor	BLACK	
DL	Discharge Temp	RED	
SL	Suction Temp	WHITE	
IC	Indoor Coil	YELLOW	
HPT	High Pressure	T	
OC	Return Air	S	BLACK

UC8 JUMPER settings			
Position	Jumper	DATE	APPROVED
1,3,4,7,10,13,14	On	N3941	D.A.B.
All Others Off	Off	N3941	04-10-17 D.A.B.
		N4210	03-01-20 D.J.S.

UC8 DIP switch settings			
DIP switch	On/Off	DESCRIPTION	DATE
1,3,4,7,10,13,14	On	FRB & SRB now fitted as standard	N3941
All Others Off	Off	now on, was off	N3941
		Ebox redesign - numerous changes	N4210
		Added EEV in 291-000-772 schematic	

Drawing No: **291-000-772**
 SHEET 1 OF 1
 Title: **HWP 59/79 & 98CEKS UC8**
 Wiring Schematic
 Drawn: **C.M.W.** Date: **26-08-14**
 Approved: **SR**
 Client Wiring
 DO NOT SCALE - ASK
 ©temperzone Ltd 2014
temperzone
 Rev: **F**