

SPECIFICATIONS



Indoor Unit	(525-201-711)	ISDL 116KYX
Outdoor Unit	(536-231-311)	OSA 116RKSGH (1Ø)
Cooling capacity (net) to AS/NZS 3823 T1		10.9 kW
Heating capacity H1		11.1 kW
Electrical input - cooling		3.4 kW
Electrical input - heating		3.2 kW
EER / AEER (cooling)		3.21 / 3.19
Unit Controllers		UC8 / IUC
Refrigerant		R410A
Refrigerant precharge for 10 m		4.45 kg *
Additional charge req'd for over 10 m		50 g/m
Base refrigerant charge OSA		3.25 kg
Maximum line length		60 m
Separation limit: OSA above ISD		20 m
Separation limit: OSA below ISD		20 m
Suction line		16 mm OD
Liquid line		9.5 mm OD
Compressor oil type		POE 32-3MAF (or equivalent)
Additional oil charge over standard line length		10 ml/m
Compressor type		digital scroll
Power supply via OSA		1 ph. 230V ac 50Hz
Compressor run amps at rating cond.		13.4 A
Compressor run capacitor		80 μ fd
Indoor fan motor size		230 W (x2)
Rated indoor fan speed		HIGH
Indoor fan motors (1ph.) - full load		1.6 A
Outdoor fan motor (1ph.) - full load		1.5 A
Outdoor fan capacitor size		6 μ fd
Control circuit breaker (internal)		10 A
Running amps (total system)		16 A
Max. running amps (total system)		23 A
Net weight ISDL		68 kg
Net weight OSA		128 kg

Accessories:

ISDL Spring mounting kit	307-161-101
ISDL Replacement filter EU2/G2 rated ^(NZ only)	119-000-085 (x2)
OSA Drain connection adaptor 25/13mm	060-000-039
OSA Anti-vibration mounts - rubber (x4)	060-000-170

Optional Controls:

SAT-3 Room temperature controller	201-000-146
Six Zone Control kit for SAT-3	201-000-073
TZT-100 Room temperature controller	201-000-350

Refer to temperzone for other options, eg remote sensors, connection wires.

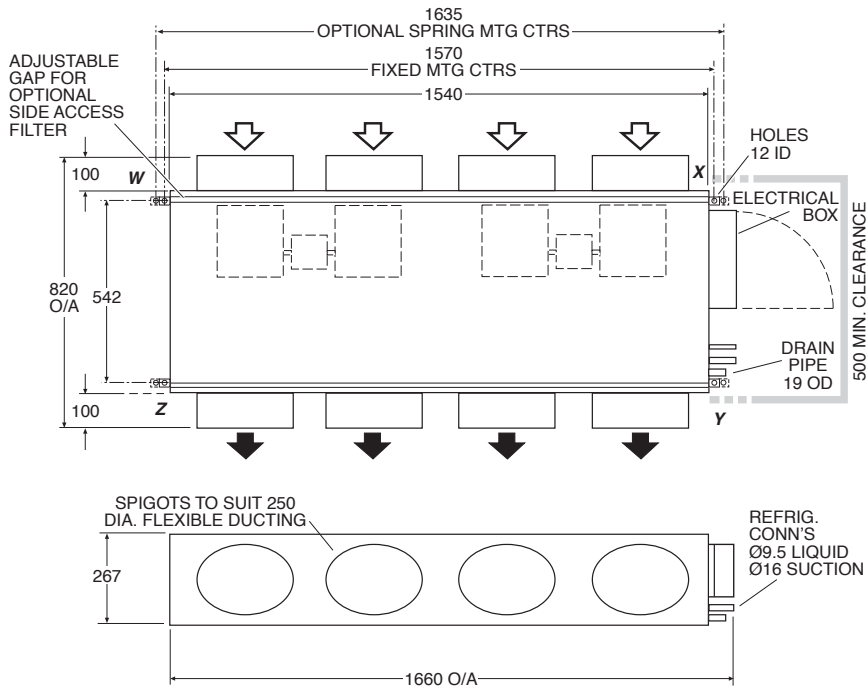
* **Note:** Remove 700 g from precharge for this ISDL/OSA combination. Other combinations use the full precharge.

DIMENSIONS (mm)



Not to Scale

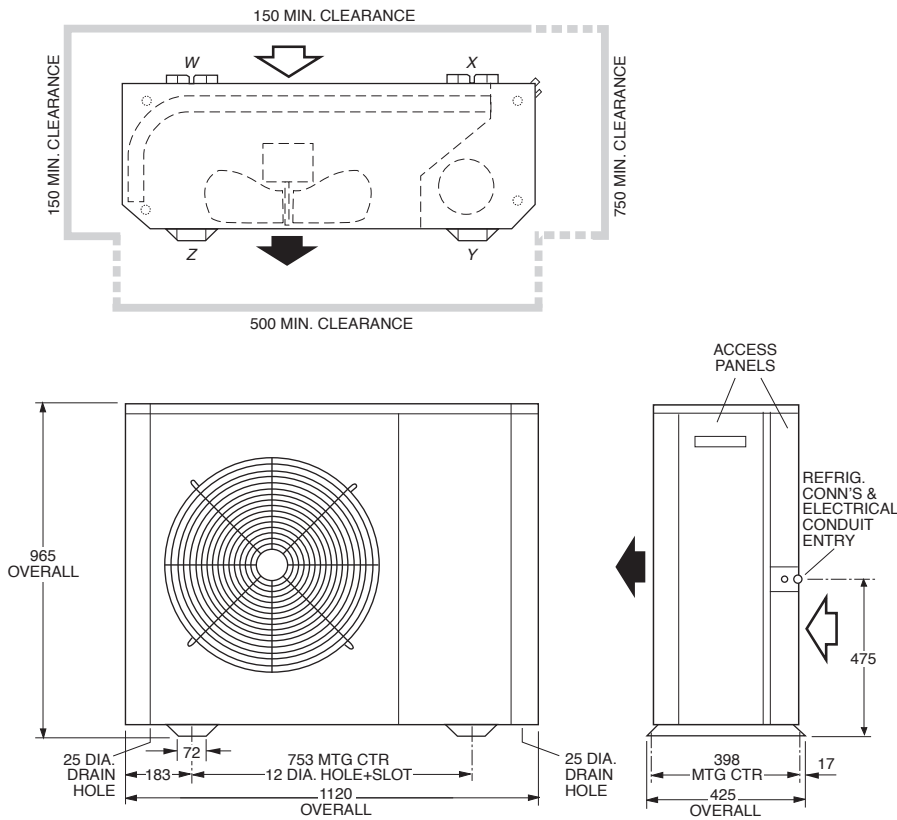
ISDL 116KYX Indoor Unit



POINT LOADS (kg)			
W	X	Y	Z
17	15	18	18

Note: Fan motors can be accessed from below.

OSA 116RKSG Outdoor Unit



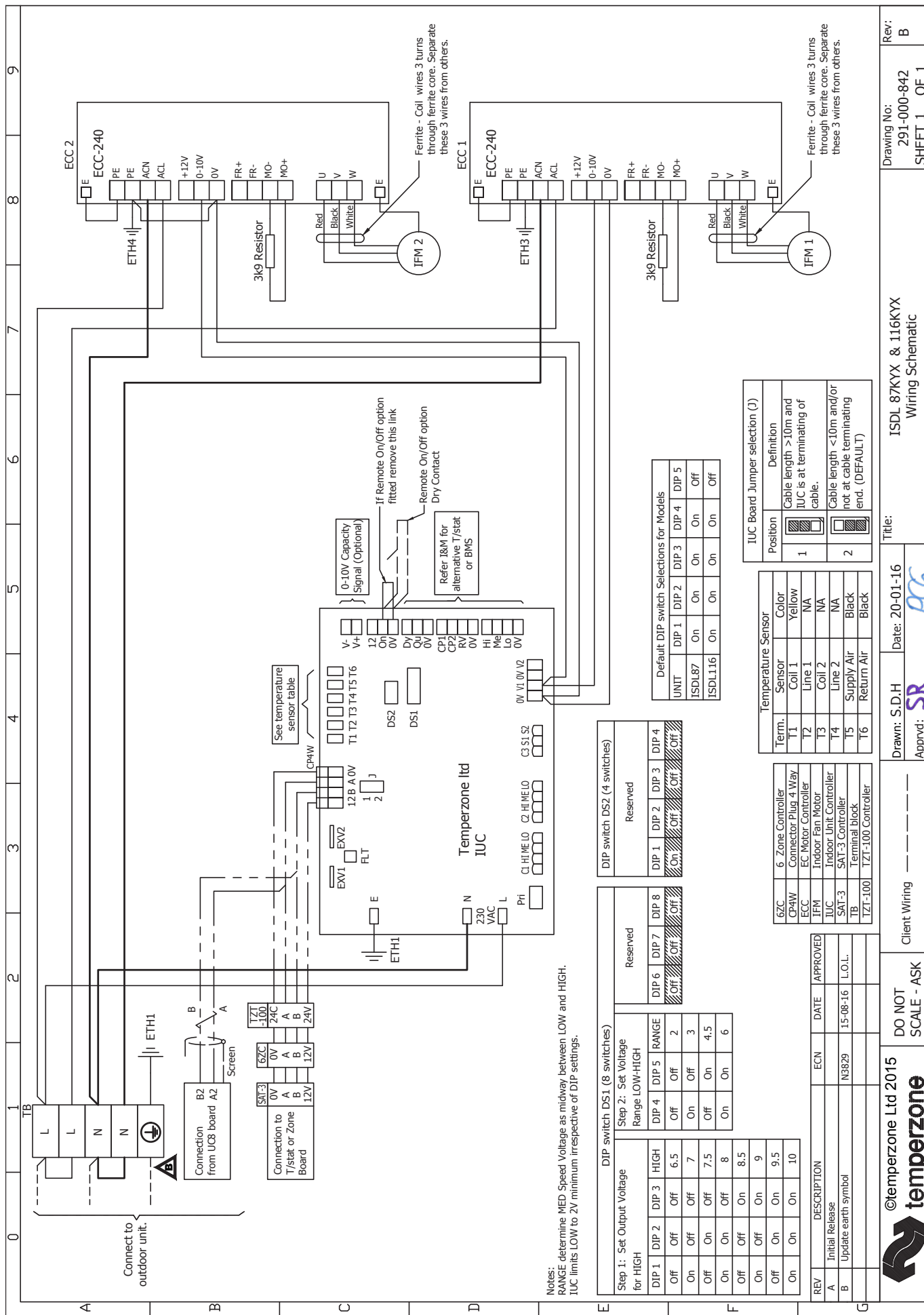
POINT LOADS (kg)			
W	X	Y	Z
16	38	50	24

Recommended Connecting Pipe Sizes
 Suction : 16 mm OD
 Liquid : 9.5 mm OD

NOTE

Specifications are subject to change without notice due to the manufacturer's ongoing research and development programme.





Notes:
 RANGE determine MED Speed Voltage as midway between LOW and HIGH.
 IUC limits LOW to 2V minimum irrespective of DIP settings.

DIP switch DS1 (8 switches)

Step 1: Set Output Voltage for HIGH		Step 2: Set Voltage Range LOW-HIGH	
DIP 1	DIP 2	DIP 3	DIP 4
Off	Off	Off	Off
On	Off	Off	Off
Off	On	Off	Off
On	On	Off	Off
Off	Off	On	Off
On	Off	On	Off
Off	On	On	Off
On	On	On	Off

DIP switch DS2 (4 switches)

DIP 1	DIP 2	DIP 3	DIP 4
On	Off	Off	Off
Off	Off	Off	Off
Off	Off	Off	Off
Off	Off	Off	Off

Default DIP switch Selections for Models

UNIT	DIP 1	DIP 2	DIP 3	DIP 4	DIP 5
ISDL87	On	On	On	On	Off
ISDL116	On	On	On	On	Off

Temperature Sensor

Term.	Sensor	Color
T1	Coil 1	Yellow
T2	Line 1	NA
T3	Coil 2	NA
T4	Line 2	NA
T5	Supply Air	Black
T6	Return Air	Black

IUC Board Jumper selection (J)

Position	Definition
1	Cable length > 10m and IUC is at terminating of cable.
2	Cable length < 10m and/or not at cable terminating end. (DEFAULT)

©temperzone Ltd 2015
temperzone

DO NOT SCALE - ASK

Client Wiring

Drawn: S.D.H Date: 20-01-16
 Approved: SR

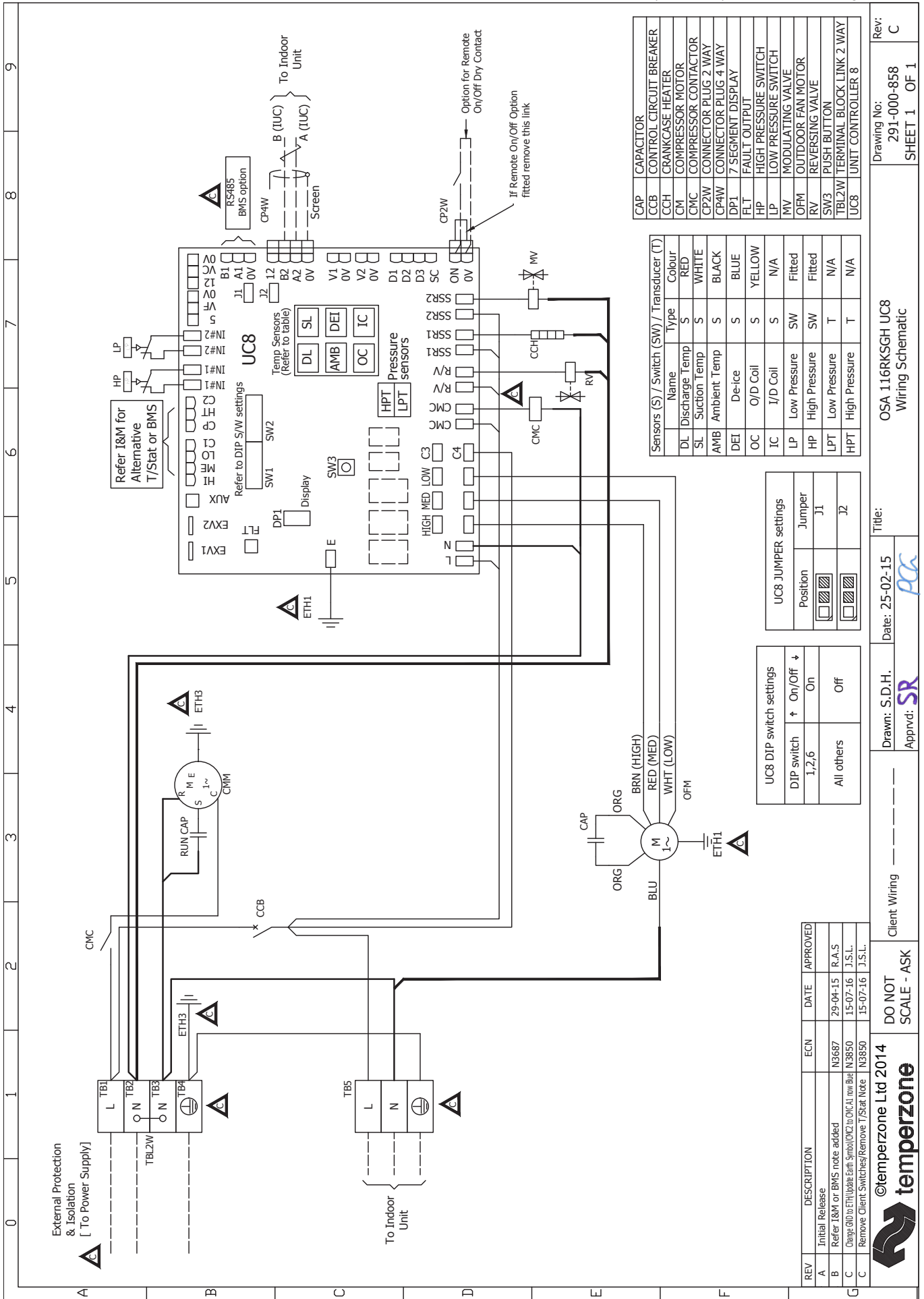
ISDL 87KYX & 116KYX
 Wiring Schematic

Drawing No: 291-000-842
 SHEET 1 OF 1

Rev: B

OUTDOOR UNIT WIRING

Indoor-Outdoor Connection Wiring: refer 'Installation & Maintenance' pamphlet, page 6.



Rev: C
Drawing No: 291-000-858
SHEET 1 OF 1

OSA 116RKSQH UC8
Wiring Schematic

Title: OSA 116RKSQH UC8
Date: 25-02-15

Drawn: S.D.H.
Apprvd: SR

Client Wiring

DO NOT SCALE - ASK

©temperzone Ltd 2014

