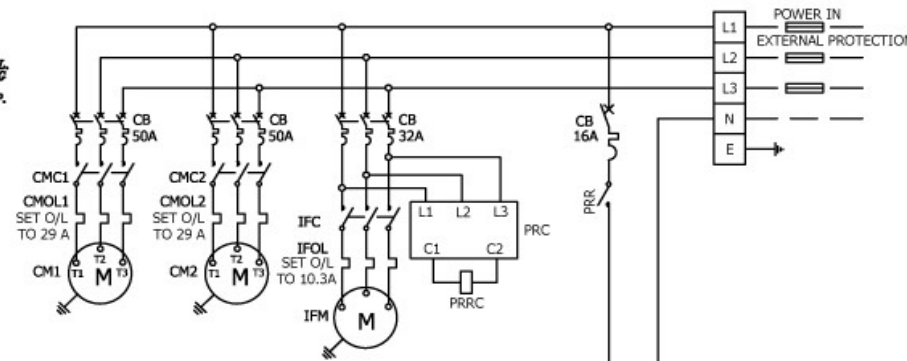


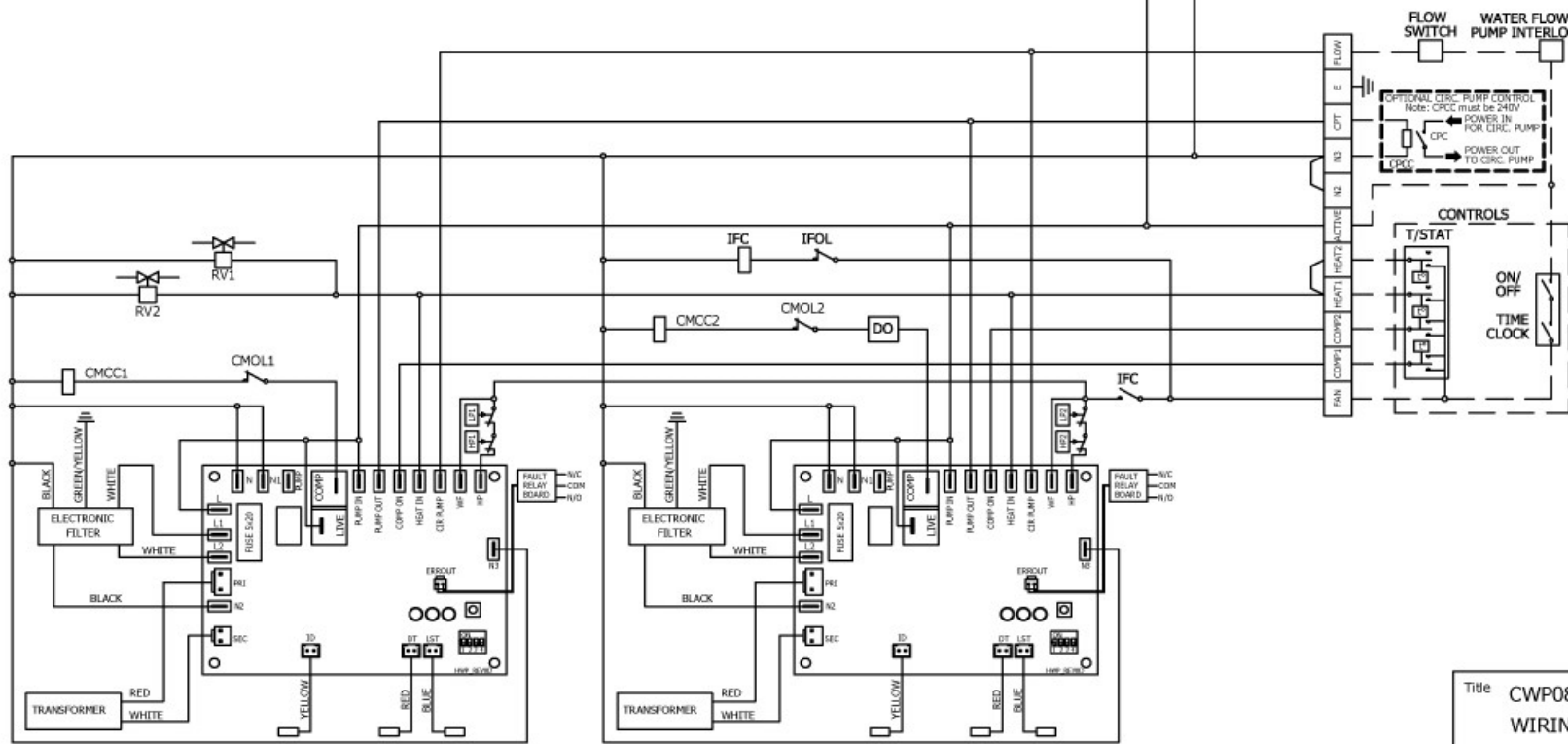
DO NOT SCALE - ASK

IMPORTANT NOTE:
THIS COMPRESSOR IS DIRECTIONAL.
ENSURE COMPRESSOR IS ROTATING
IN CORRECT DIRECTION.
WRONG DIRECTION WILL NOT PUMP.
REVERSE TWO PHASES TO
CHANGE DIRECTION.



CWP0890R (R410A)			
COMP. SH161x2 RUN AMPS AT RATING - COOLING	A/PH	18.4/18.8/18.7	
INDOOR FAN MOTOR CAPACITY	KW	5.5	
INDOOR FAN MOTOR FLA	A/PH	10.3/10.3/10.3	
TOTAL RUNNING AMPS.	A/PH	45.1/46.0/45.7	
HFC (R410A)	kg/SYS	5.7	

ABBR.	DESCRIPTION
CAP	CAPACITOR
CB	CIRCUIT BREAKER
CM	COMPRESSOR MOTOR
CMC	COMPRESSOR CONTACTOR
CMCC	COMPRESSOR CONTACTOR COIL
CMOL	COMPRESSOR OVERLOAD
CPC	CIRC. PUMP CONTACTOR
CPCC	CIRC. PUMP CONTACTOR COIL
CPT	CIRC. PUMP TERMINAL
DO	DELAY ON MAKE 30 SEC
FLA	FULL LOAD AMPERE
FRB	FAULT RELAY BOARD
HP	HI PRESS. CONTROL
IFC	INDOOR FAN CONTACTOR
IFCC	INDOOR FAN CONTACTOR COIL
IFM	INDOOR FAN MOTOR
IFOL	INDOOR FAN CONTACTOR OVERLOAD
LP	LOW PRESS. CONTROL
PRC	PHASE ROTATION CONTROL
PRR	PHASE ROTATION RELAY
PRRC	PHASE ROTATION RELAY COIL
R	REVERSE CYCLE
RV	REVERSING VALVE



Title CWP0890RKTN
 WIRING SCHEMATIC - PROTECTION BOARD



ISSUE	MODIFICATION	EC/N	DATE	APRVD
C	MODIFIED THE SEQUENCE OF THE TERMINALS	A1629	29/10/09	PYU
B	UPDATE PCB REV D, STANDARDISED FORMAT	R0082	17/07/09	JPB
A	ORIGINAL	.	27.01.09	UA

CLIENT WIRING
 Interconnections between units by client.
 Double insulated multi-core cable.

NOTE: CHECK WIRING BEFORE SWITCHING ON, INCORRECT CONNECTION WILL DAMAGE MOTORS.

STANDARD DIPSWITCH SETTINGS			
OFF	OFF	ON	ON
COOL ONLY	1	HEAT PUMP	
FAULT RELAY ACTIVATED UPON FINAL LOCK OUT.	2	FAULT RELAY ACTIVATED WITH EACH SYSTEM FAULT	
LST ACTIVATED AT -2°C	3	LST ACTIVATED AT -1°C	
SPARE	4		

Drawn UA	Date 27.01.09	Drawing No. 570-604-002	Rev. C
Scale .	Aprvd MMG		