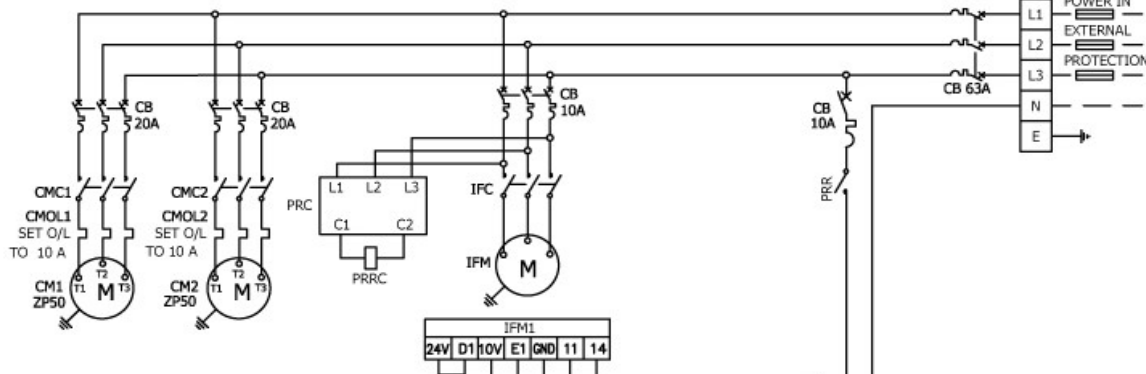
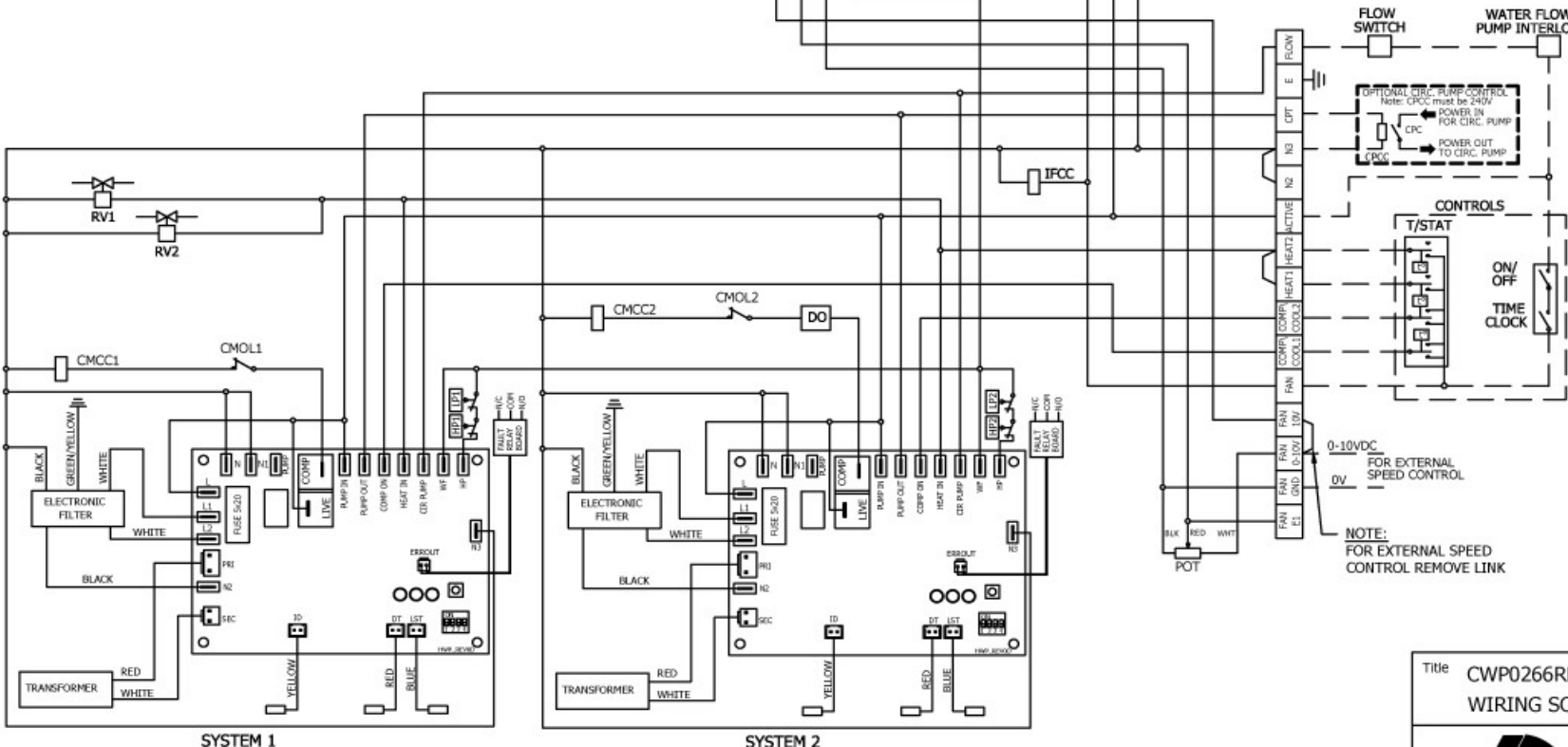


DO NOT SCALE - ASK

IMPORTANT NOTE:
THIS COMPRESSOR IS DIRECTIONAL.
ENSURE COMPRESSOR IS ROTATING
IN CORRECT DIRECTION.
WRONG DIRECTION WILL NOT PUMP.
REVERSE TWO PHASES TO
CHANGE DIRECTION.



CWP0266R (R410A)			
COMP. ZP50 RUN AMPS AT RATING - COOLING	A/PH	5.2/4.9/4.9 x2	
INDOOR FAN MOTOR CAPACITY	KW	1.25	
INDOOR FAN MOTOR FLA	A/PH	1.6/1.6/1.6	
TOTAL RUNNING AMPS.	A/PH	12/11.4/11.4	
HFC (R410A) SYSTEM1 ZP50	kg	2.4	
HFC (R410A) SYSTEM2 ZP50	kg	2.4	



ABBR.	DESCRIPTION
CB	CIRCUIT BREAKER
CM	COMPRESSOR MOTOR
CMC	COMPRESSOR CONTACTOR
CMCC	COMPRESSOR CONTACTOR COIL
CMOL	COMPRESSOR OVERLOAD
CPC	CIRC. PUMP CONTACTOR
CPCC	CIRC. PUMP CONTACTOR COIL
CPT	CIRC. PUMP TERMINAL
DO	DELAY ON MAKE 30 SEC
FLA	FULL LOAD AMPERE
FRB	FAULT RELAY BOARD
HP	HI PRESS. CONTROL
IFC	INDOOR FAN CONTACTOR
IFCC	INDOOR FAN CONTACTOR COIL
IFM	INDOOR FAN MOTOR
LP	LOW PRESS. CONTROL
POT	POTENTIOMETER
PRC	PHASE ROTATION CONTROL
PRR	PHASE ROTATION RELAY
PRRC	PHASE ROTATION RELAY COIL
R	REVERSE CYCLE
RV	REVERSING VALVE

Title CWP0266RKT
 WIRING SCHEMATIC - PROTECTION BOARD



ISSUE	MODIFICATION	EC/N	DATE	APRVD
B	ADDED IFC, REMOVED IFR1 & IFR2		15/01/14	JPB
A	ORIGINAL		11/04/13	JPB

CLIENT WIRING
 Interconnections between units by client.
 Double insulated multi-core cable.
 NOTE: CHECK WIRING BEFORE
 SWITCHING ON, INCORRECT
 CONNECTION WILL DAMAGE MOTORS.

STANDARD DIPSWITCH SETTINGS			
	OFF	ON	ON
COOL ONLY	1	ON	HEAT PUMP
FAULT RELAY ACTIVATED UPON FINAL LOCK OUT.	2	ON	FAULT RELAY ACTIVATED WITH EACH SYSTEM FAULT
LST ACTIVATED AT -2°C	3	ON	LST ACTIVATED AT -1°C
SPARE	4	ON	

Drawn	JPB	Date	11/04/13	Drawing No.	291-000-391	Rev.	B
Scale	.	Aprvd	.				