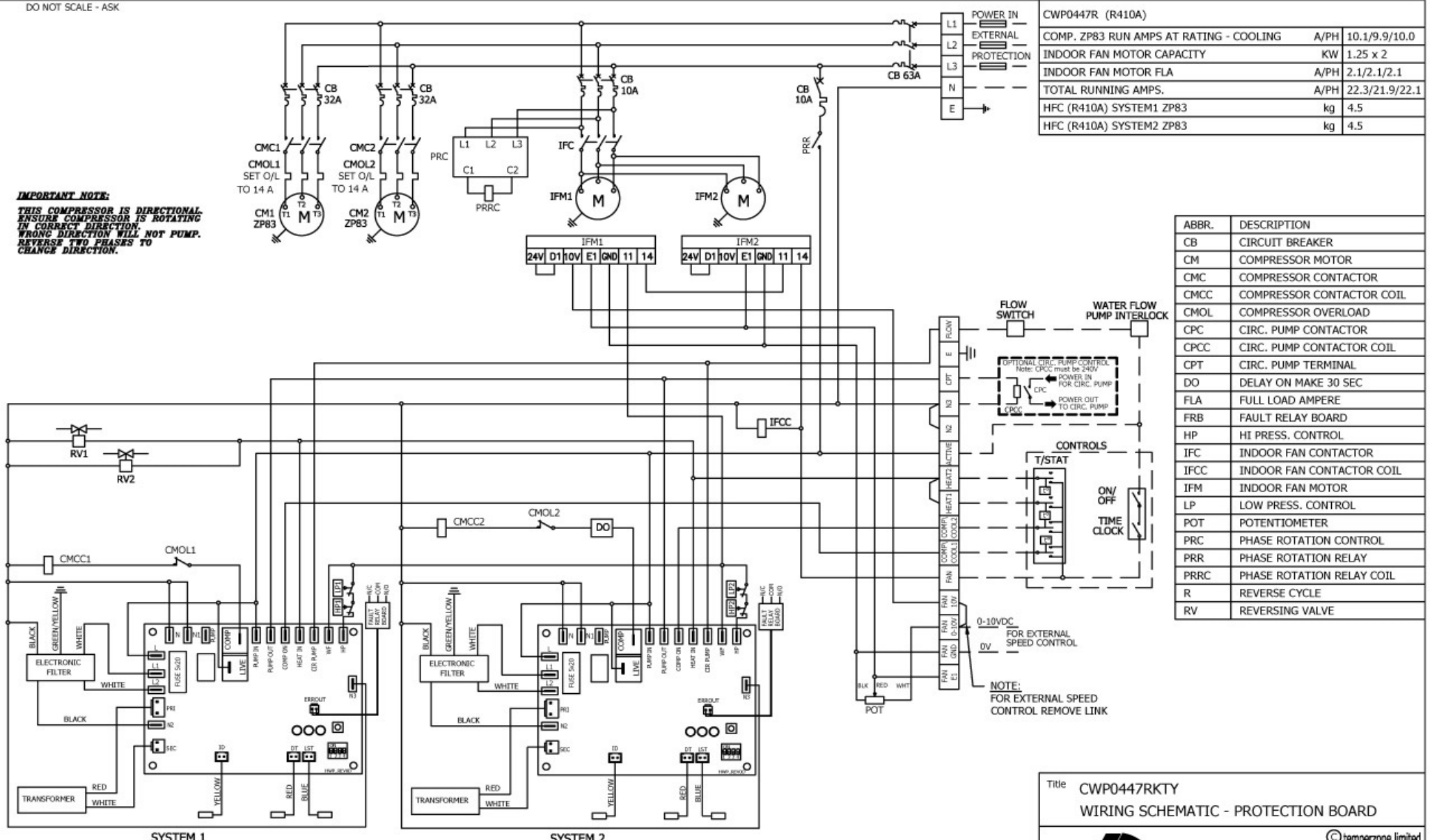


DO NOT SCALE - ASK

IMPORTANT NOTE:
THIS COMPRESSOR IS DIRECTIONAL.
ENSURE COMPRESSOR IS ROTATING
IN CORRECT DIRECTION.
WRONG DIRECTION WILL NOT PUMP.
REVERSE TWO PHASES TO
CHANGE DIRECTION.



Title CWP0447RKTY
 WIRING SCHEMATIC - PROTECTION BOARD



ISSUE	MODIFICATION	EC/N	DATE	APRVD
B	ADDED IFC REMOVED IFR1 & IFR2		15/01/14	JPB
A	ORIGINAL		11/04/13	JPB

CLIENT WIRING
 Interconnections between units by client.
 Double insulated multi-core cable.
 NOTE: CHECK WIRING BEFORE
 SWITCHING ON, INCORRECT
 CONNECTION WILL DAMAGE MOTORS.

STANDARD DIPSWITCH SETTINGS			
	OFF	ON	ON
COOL ONLY	1	2	HEAT PUMP
FAULT RELAY ACTIVATED UPON FINAL LOCK OUT.	2	3	FAULT RELAY ACTIVATED WITH EACH SYSTEM FAULT
1ST ACTIVATED AT -2°C	3	4	1ST ACTIVATED AT -1°C
SPARE	4		

Drawn	JPB	Date	11/04/13	Drawing No.	291-000-385	Rev.	B
Scale	.	Aprvd	.				