

SPECIFICATIONS



Indoor Unit	(525-181-711)	ISD 87KYX
Outdoor Unit	(526-171-311)	OSA 87RKSH
Cooling capacity (net) to AS/NZS 3823 T1		8.3 kW
Heating capacity H1		8.0 kW
Electrical input - cooling		2.13 kW
Electrical input - heating		2.09 kW
EER / AEER (cooling)		3.25 / 3.21
Unit Controllers		UC8 / IUC
Refrigerant		R410A
Refrigerant precharge for 10 m		3.65 kg
Additional charge req'd for over 10 m		50 g/m
Base refrigerant charge OSA		3.15 kg
Maximum line length		40 m
Separation limit: OSA above ISD		20 m
Separation limit: OSA below ISD		20 m
Suction line ≤15m / >15m		16 mm OD
Liquid line		9.5 mm OD
Compressor oil type		POE 32-3MAF (or equivalent)
Additional oil charge over 40m line length		n/a
Compressor type		rotary scroll
Power supply via OSA		1 ph. 230V ac 50Hz
Compressor run amps at rating cond.		9.18 A
Compressor run capacitor		60 μfd
Indoor fan motor size		600 W
Rated indoor fan speed		MED
Indoor fan motor (1ph.) - full load		3 A
Outdoor fan motor (1ph.) - full load		0.9 A
Outdoor fan capacitor size		5 μfd
Control circuit breaker (internal)		10 A
Running amps (total system)		11.1 A
Max. running amps (total system)		14.0 A
Net weight ISD		58 kg
Net weight OSA		90 kg

Accessories:

ISD Spring mounting kit	307-161-101
ISD Spigot plate adaptor Ø350 x 2	525-181-715
ISD Filter box c/w EU2/G2 filter (NZ Only)	493-000-002
ISD Replacement filter (NZ Only)	119-000-078
ISD Supply air plenum: Ø400 x1 / Ø300 x2 (NZ Only)	492-000-001 / 492-000-002
ISD Return air plenum Ø300 x 2 (NZ Only)	492-100-002
ISD Fresh air inlet spigot Ø150 (NZ Only)	325-000-051
OSA Drain connection adaptor 25/13mm	060-000-039
OSA Anti-vibration mounts - rubber (x4)	060-000-170

Optional Controls:

SAT-3 Room temperature controller	201-000-146
TZT-100 Room temperature controller	201-000-350

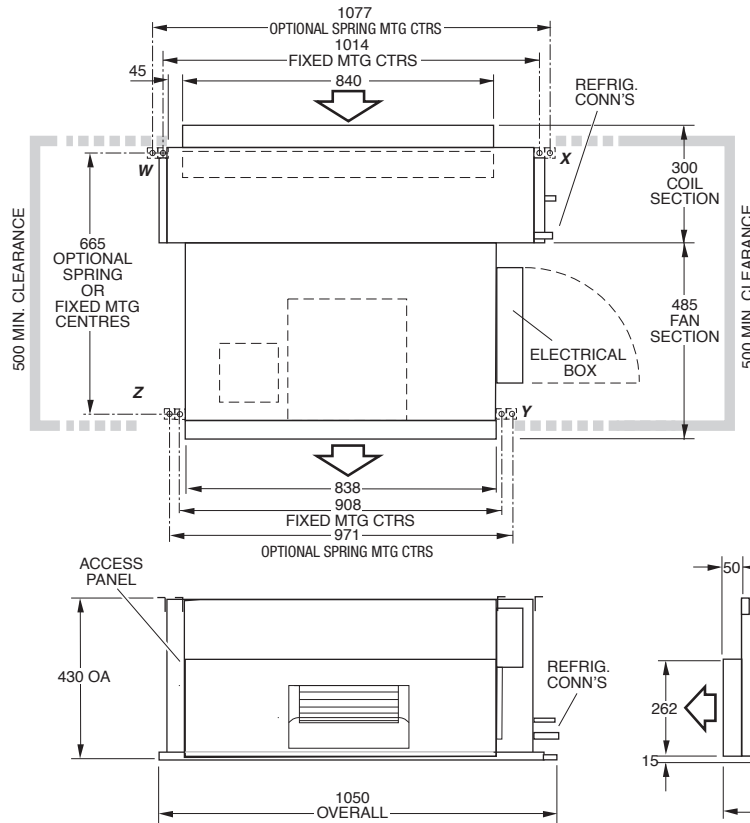
Refer to temperzone for other options, eg remote sensors, connection wires.

DIMENSIONS (mm)



Not to Scale

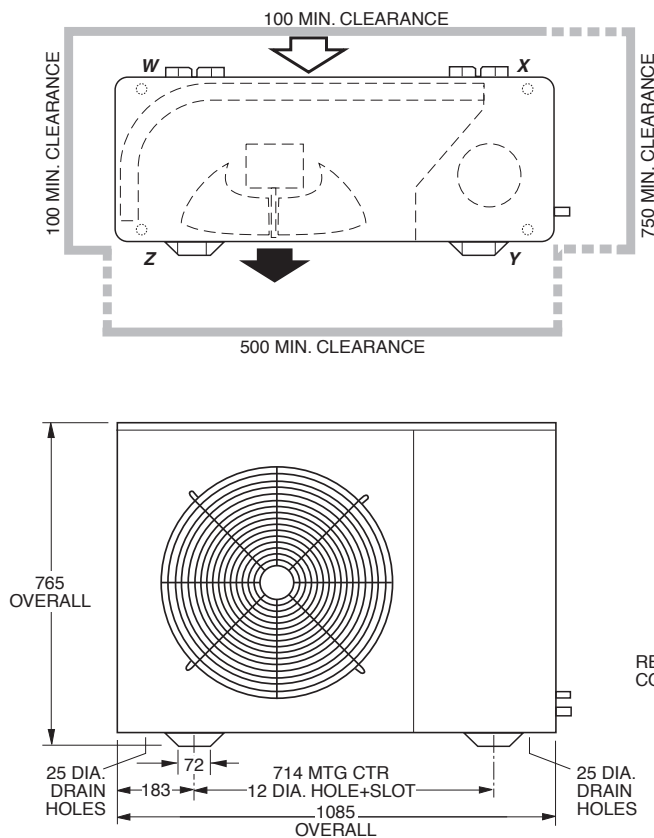
ISD 87KYX Indoor Unit



POINT LOADS (kg)			
W	X	Y	Z
15	14	15	14

Note: Fan motor can be accessed from panel above, below or sides; no more than two panels at once.

OSA 87RKS Outdoor Unit



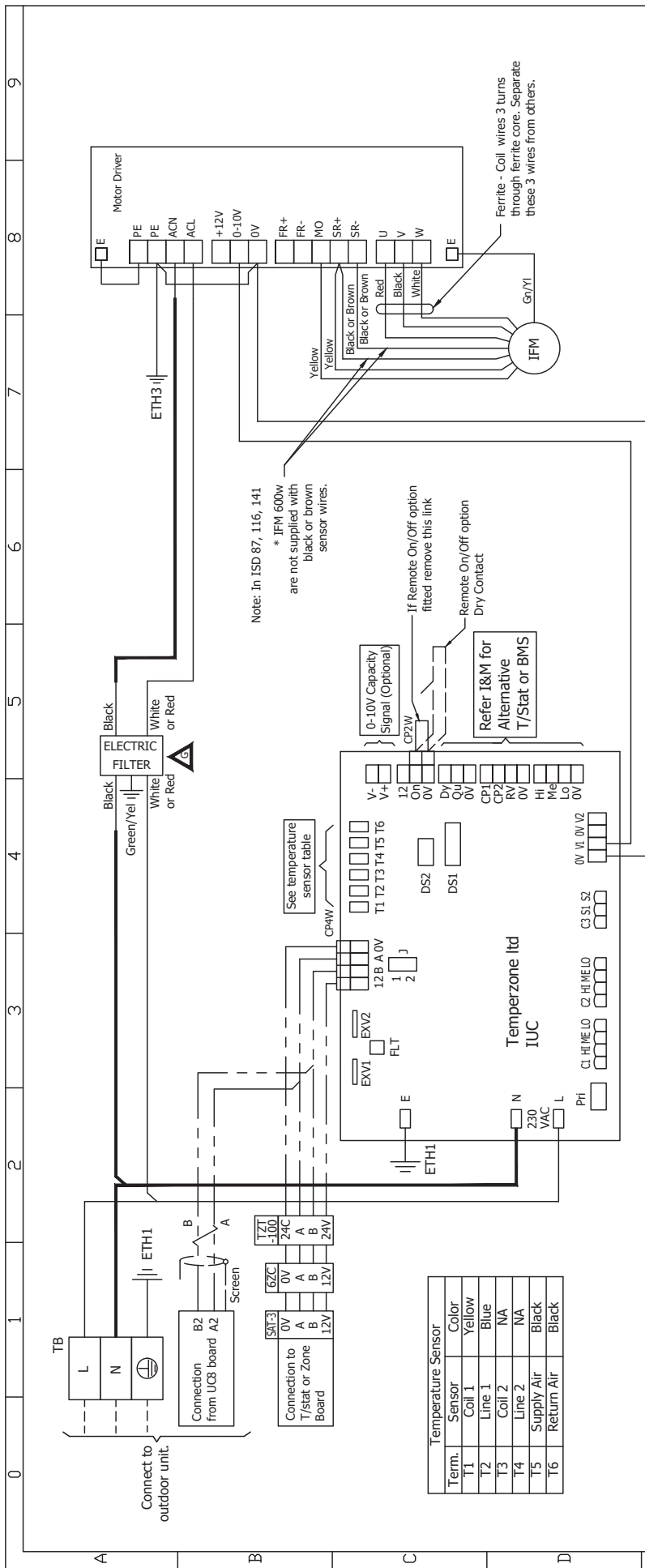
POINT LOADS (kg)			
W	X	Y	Z
22	23	37	8

Recommended Connecting Pipe Sizes
 Suction : 16 mm OD
 Liquid : 10 mm OD

NOTE

Specifications are subject to change without notice due to the manufacturer's ongoing research and development programme.





Factory Default DIP switch Selections for Models

UNIT	DS1 DIP switch selections				DS2 DIP switch selections			
	DIP 1	DIP 2	DIP 3	DIP 4	DIP 1	DIP 2	DIP 3	DIP 4
ISD87	On	On	Off	Off	On	On	Off	Off
ISD116	On	On	Off	Off	On	On	Off	Off
ISD141	On	On	Off	Off	On	On	Off	Off
ISD164	On	On	Off	Off	On	On	Off	Off
ISD184	On	On	Off	Off	On	On	Off	Off
ISD194	On	On	Off	Off	On	On	Off	Off
ISD224	On	On	Off	Off	On	On	Off	Off

IUC Board Jumper selection (1)

Position	Definition
1	Cable length > 10m and IUC is at terminating of cable.
2	Cable length < 10m and/or not at cable terminating end. (DEFAULT)

6ZC	6 Zone Controller
CP2W	Connector Plug 2 Way
CP4W	Connector Plug 4 Way
IFM	Indoor Fan Motor
IUC	Indoor Unit Controller
SAT-3	SAT-3 Controller
TB	Terminal block
TZT-100	TZT-100 Controller

REV	DESCRIPTION	ECN	DATE	APPROVED
D	ECC 1260 Wiring Update/Earth Symbols	N3811	06-09-16	J.S.L.
E	Reconfigure DIP Switch Selections Table	N3995	07-07-17	M.A.K.
F	ECC 1260 renamed Motor Driver	N4013	10-01-18	L.O.L.
G	Note to use either white or red wire added	N4067	12-02-18	P.M.C.

©temperzone Ltd 2014

Client Wiring

Drawn: K.T.T. Date: 22-10-14
 Apprvd: **SR**

Title: ISD 87 / 116 / 141 / 164 / 184 / 194 / 224KYX
 Wiring Schematic

Drawing No: 291-000-598
 SHEET 1 OF 1

Rev: G

Site commissioning DIP switch setting options

Step 1: Set Output Voltage for HIGH		Step 2: Set Voltage Range LOW-HIGH			
DIP 1	DIP 2	DIP 3	DIP 4	DIP 5	RANGE
Off	Off	Off	Off	Off	2
On	Off	Off	On	Off	3
Off	On	Off	Off	Off	4.5
On	On	Off	On	On	6

Notes:
 To adjust indoor fan speed L/N/H settings, see section 5.2.6 of Installation & Maintenance document

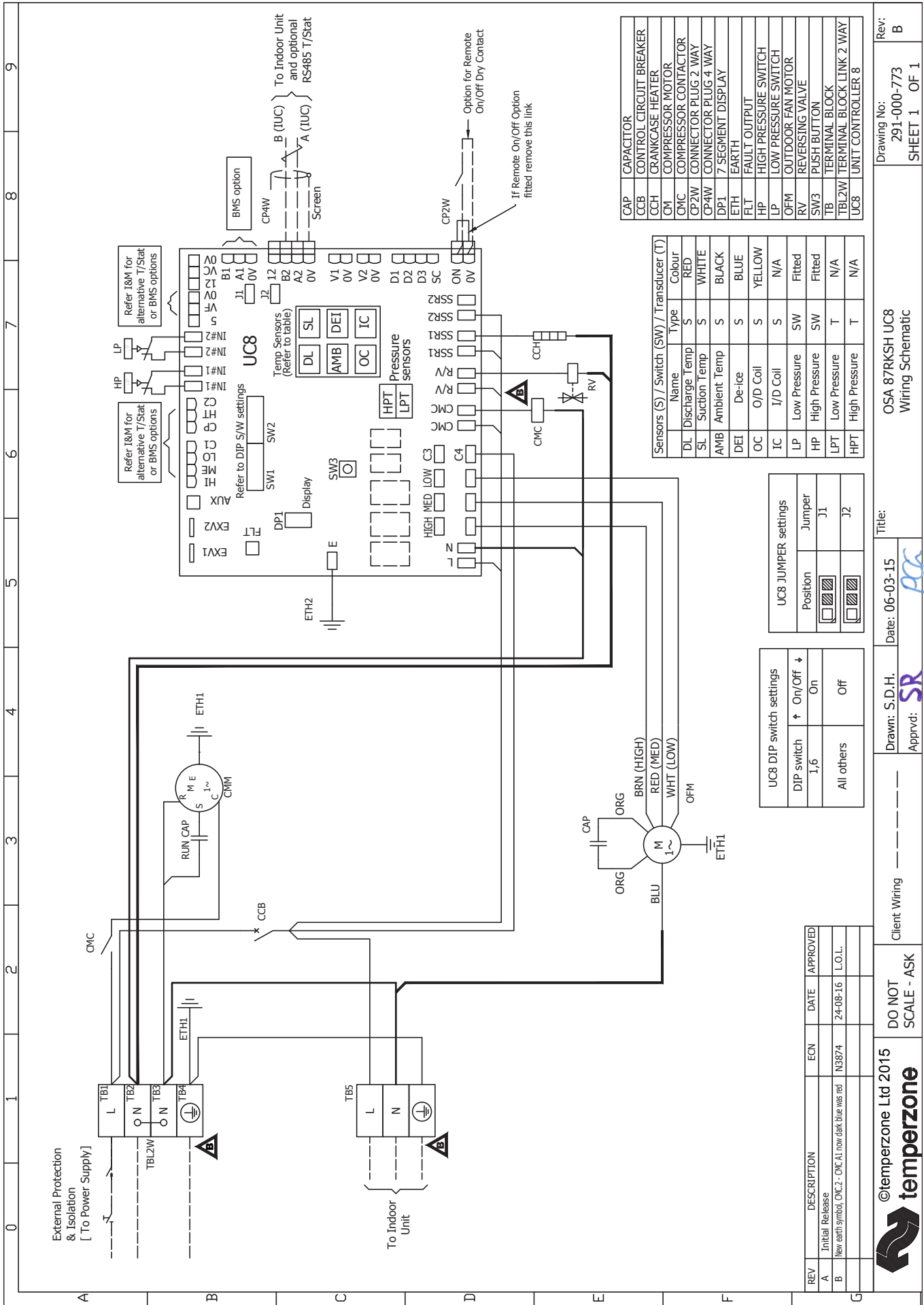
Temperature Sensor

Term.	Sensor	Color
T1	Coil 1	Yellow
T2	Line 1	Blue
T3	Coil 2	NA
T4	Line 2	NA
T5	Supply Air	Black
T6	Return Air	Black

DO NOT SCALE - ASK

OUTDOOR UNIT WIRING

Indoor-Outdoor Connection Wiring: refer 'Installation & Maintenance' pamphlet, page 6.



CAP	CAPACITOR
CCB	CONTROL CIRCUIT BREAKER
CCH	CRANKCASE HEATER
CM	COMPRESSOR MOTOR
CMC	COMPRESSOR CONTACTOR
CP2W	CONNECTOR-PLUG 2 WAY
CP4W	CONNECTOR-PLUG 4 WAY
DP1	7 SEGMENT DISPLAY
ETH	EARTH
FLT	FAULT OUTPUT
HP	HIGH PRESSURE SWITCH
LP	LOW PRESSURE SWITCH
OFM	OUTDOOR FAN MOTOR
RV	REVERSING VALVE
SW3	PUSH BUTTON
TB	TERMINAL BLOCK
TBL2W	TERMINAL BLOCK LINK 2 WAY
UC8	UNIT CONTROLLER 8

Rev: B
Drawing No: 291-000-773
SHEET 1 OF 1

Title: OSA 87RKSU UC8
Wiring Schematic

Date: 06-03-15
Drawn: S.D.H.
Apprvd: SR

Client Wiring

DO NOT SCALE - ASK

©temperzone Ltd 2015