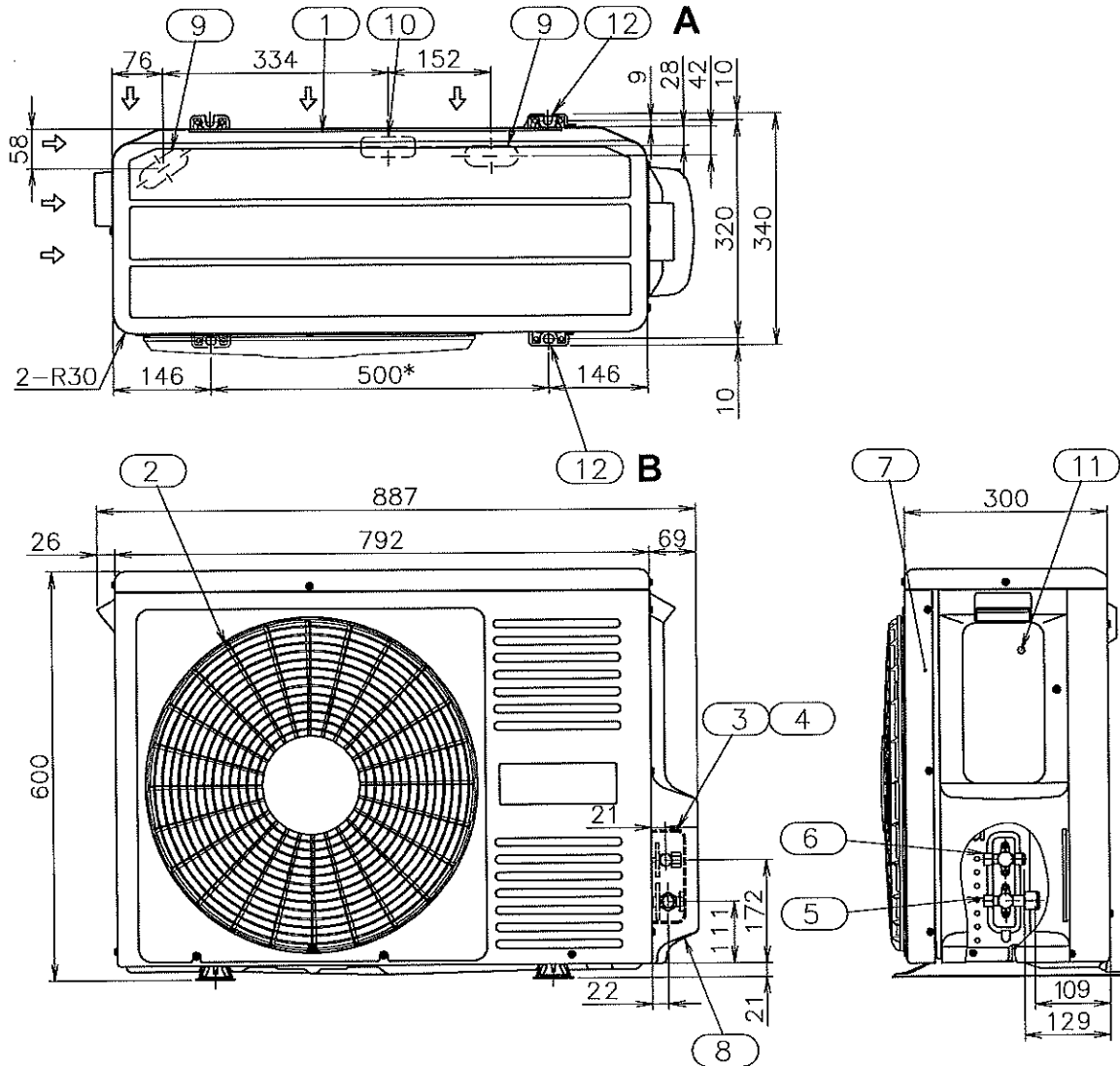


**7.1.2 IVX Standard series**

◆ **RAS-3HVNC**



Units in mm.

No.	Description	Remarks
1	Air inlet	—
2	Air outlet	—
3	Hole for power supply wiring	—
4	Hole for control line wiring	—
5	Gas piping connection	—
6	Liquid piping connection	—
7	Service panel	—
8	Refrigerant piping hole	—
9	Drain hole	—
10	Drain hole	—
11	Earth terminal wiring	(M5)
12	Holes for fixing machine to wall	A: 2-U cut holes / B: 2 - holes

