

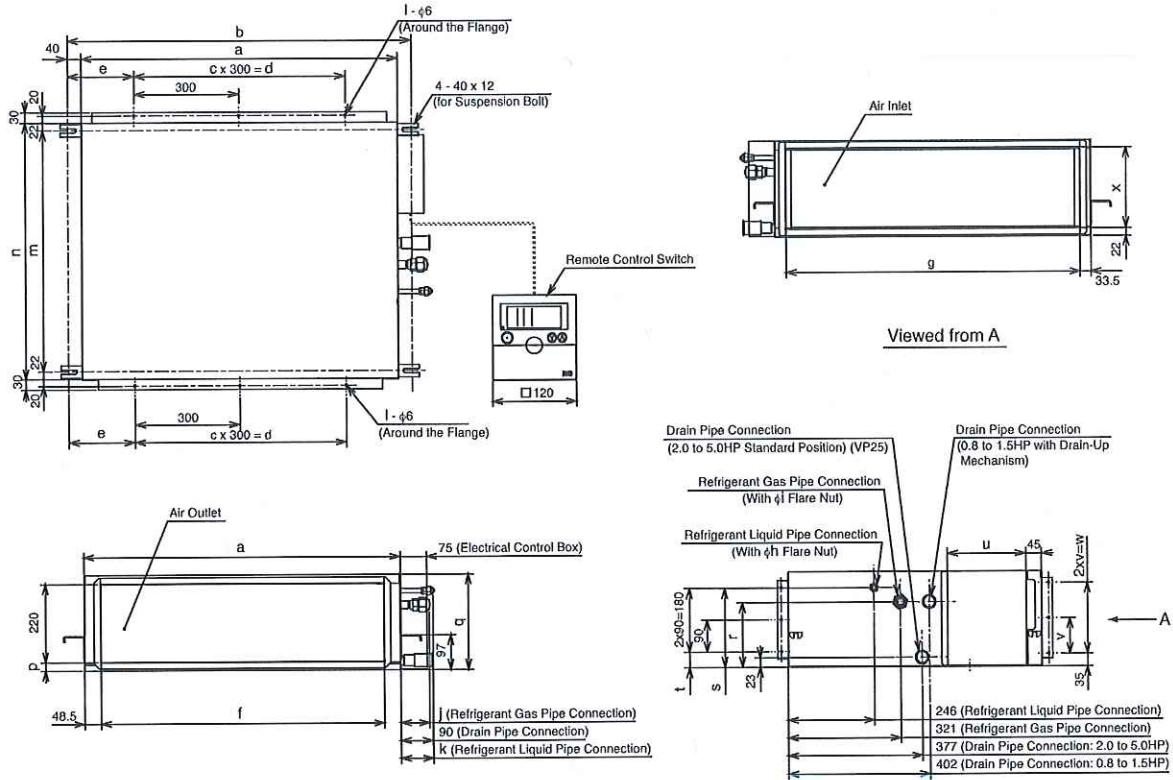
3. Dimensional Data

3.1 Dimensional Data for Indoor Units

■ In-the-Ceiling Type

Models: RPI-0.8FSN2, RPI-1.0FSN2, RPI-1.5FSN2, RPI-2.0FSN2, RPI-2.5FSN2, RPI-3.0FSN2, RPI-4.0FSN2 and RPI-5.0FSN2

Unit: mm



HP	Dimension	a	b	c	d	e	f	g	h	i	j	k
0.8		650	730	1	300	215	553	583	6.35	12.7	70	92
1.0		650	730	1	300	215	553	583	6.35	12.7	70	92
1.5		650	730	1	300	215	553	583	6.35	12.7	70	92
2.0		900	980	2	600	190	803	833	6.35	15.88	77	92
2.5		900	980	2	600	190	803	833	9.52	15.88	77	95
3.0		650	730	1	300	215	553	583	9.52	15.88	77	95
4.0		900	980	2	600	190	803	833	9.52	15.88 *1)	81	95
5.0		1300	1380	3	900	240	1203	1233	9.52	15.88 *1)	81	95

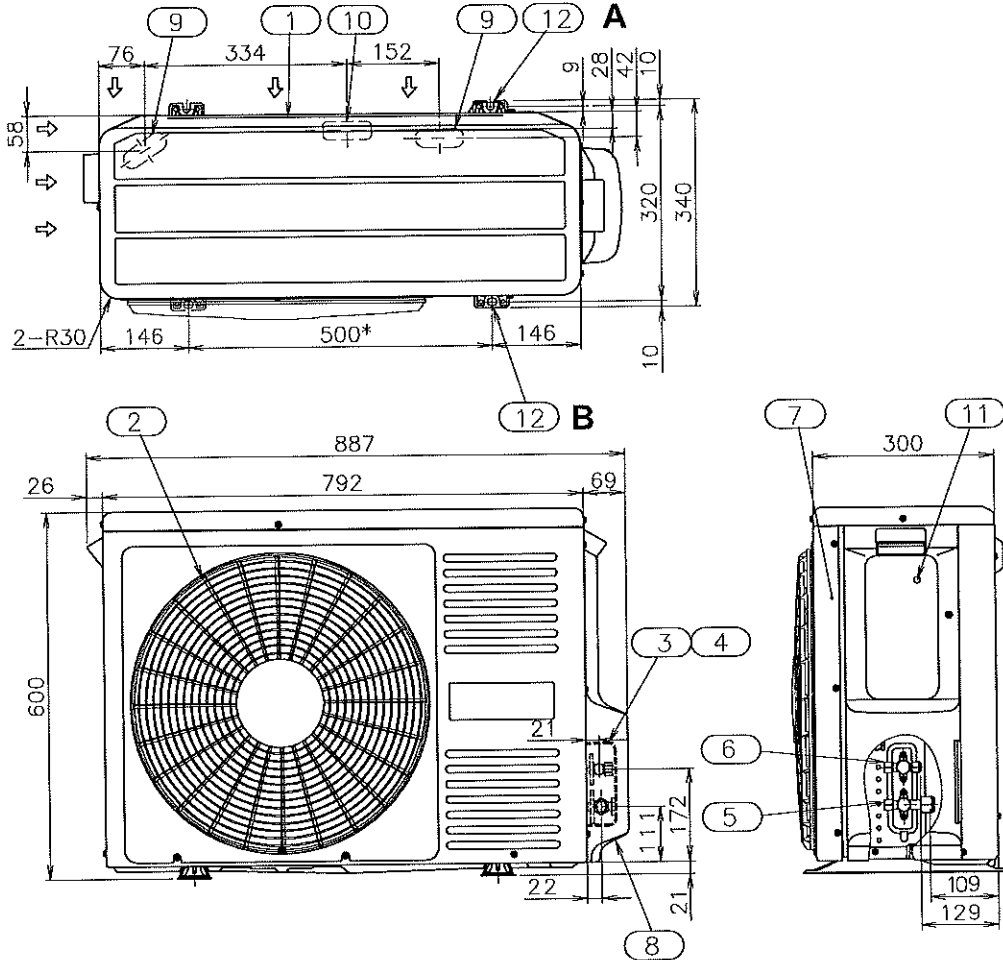
*1): In case of using R407C or R22, use φ19.05

HP	Dimension	l	m	n	p	q	r	s	t	u	v	w	x
0.8		10	676	720	23	270	182	222	43	220	100	200	226
1.0		10	676	720	23	270	182	222	43	220	100	200	226
1.5		10	676	720	23	270	182	222	43	220	100	200	226
2.0		12	676	720	23	270	182	222	43	220	100	200	226
2.5		12	676	720	23	270	182	222	43	220	100	200	226
3.0		10	756	800	103	350	204	244	123	300	140	280	306
4.0		12	756	800	103	350	204	244	123	300	140	280	306
5.0		14	756	800	103	350	204	244	123	300	140	280	306

7.1 Dimensions

7.1.1 IVX Premium series

◆ RAS-(2/2.5)HVNP



Units in mm.

No.	Description	Remarks
1	Air inlet	—
2	Air outlet	—
3	Hole for power supply wiring	—
4	Hole for control line wiring	—
5	Gas piping connection	—
6	Liquid piping connection	—
7	Service panel	—
8	Refrigerant piping hole	—
9	Drain hole	—
10	Drain hole	—
11	Earth terminal wiring	(M5)
12	Holes for fixing machine to wall	A: 2-U cut holes / B: 2 - holes

