

SPECIFICATIONS



Indoor Unit (525-451-712)	ISD 224KYX
Outdoor Unit (546-451-311)	OSA 224RKTFH (inverter)
Cooling capacity (net) to AS/NZS 3823 T1	20.6 kW
Heating capacity H1	23.0 kW
Electrical input - cooling	6.61 kW
Electrical input - heating	7.36 kW
EER / AEER (cooling)	3.11 / 3.10
Unit Controllers	UC8 / IUC
Refrigerant	R410A
Refrigerant precharge for 10 m	10.5 kg
Additional charge req'd for over 10 m	100 g/m
Base refrigerant charge OSA	9.5 kg
Maximum line length	60 m
Separation limit: OSA above ISD	20 m
Separation limit: OSA below ISD	20 m
Suction line	22 mm OD
Liquid line	13 mm OD
Compressor oil type	POE 32-3MAF (or equivalent)
Additional oil charge over 40m line length	20 ml/m
Compressor type	Inverter scroll
Power supply via OSA	3 ph. 400V ac 50Hz
Compressor (3ph.) run amps at rating cond.	10 A
Indoor fan motor size	1250 W
Rated indoor fan speed	HIGH
Indoor fan motor (1ph.) - full load	6 A
Outdoor fan motor (1ph.) - full load	1.5 A (x2)
Outdoor fan capacitor size	6 μ fd (x2)
Control circuit breaker (internal)	20 A
Running amps (total system)	14.9 / 10.2 / 10.2 A
Max. running amps (total system)	24.4 / 15.9 / 15.9 A
Net weight ISD	91 kg
Net weight OSA	185 kg

Accessories:

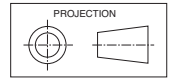
ISD Spring mounting kit	307-161-101
ISD Spigot plate adaptor Ø450 x 2	525-311-715
ISD Filter box c/w EU4/G4 filter (NZ only)	493-000-007
ISD Replacement filter (NZ only)	019-400-002(x2), 019-400-003(x1)
ISD Supply air plenum Ø400 x 3 (NZ only)	492-000-005
ISD Return air plenum Ø400 x 3 (NZ only)	492-100-006
ISD Fresh air inlet spigot Ø200 (NZ only)	325-000-052
OSA Drain connection adaptor 25/13mm	060-000-039
OSA Anti-vibration mounts - rubber (x4)	060-000-170

Optional Controls:

SAT-3 Room temperature controller	201-000-146
Six Zone Control kit for SAT-3	201-000-073
TZT-100 Room temperature controller	201-000-350

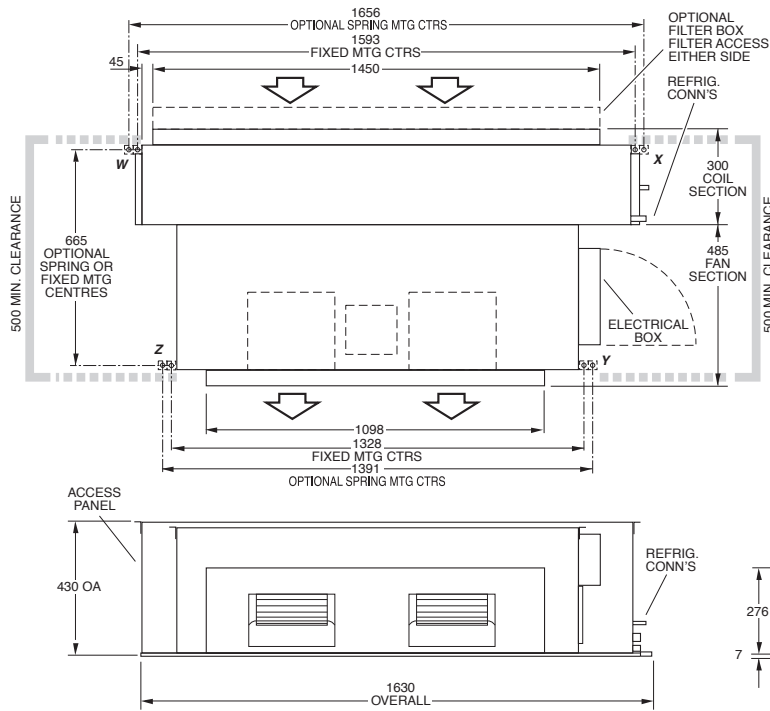
Refer to temperzone for other options, eg remote sensors, connection wires.

DIMENSIONS (mm)



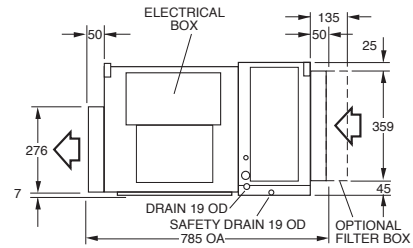
Not to Scale

ISD 224KYX Indoor Unit

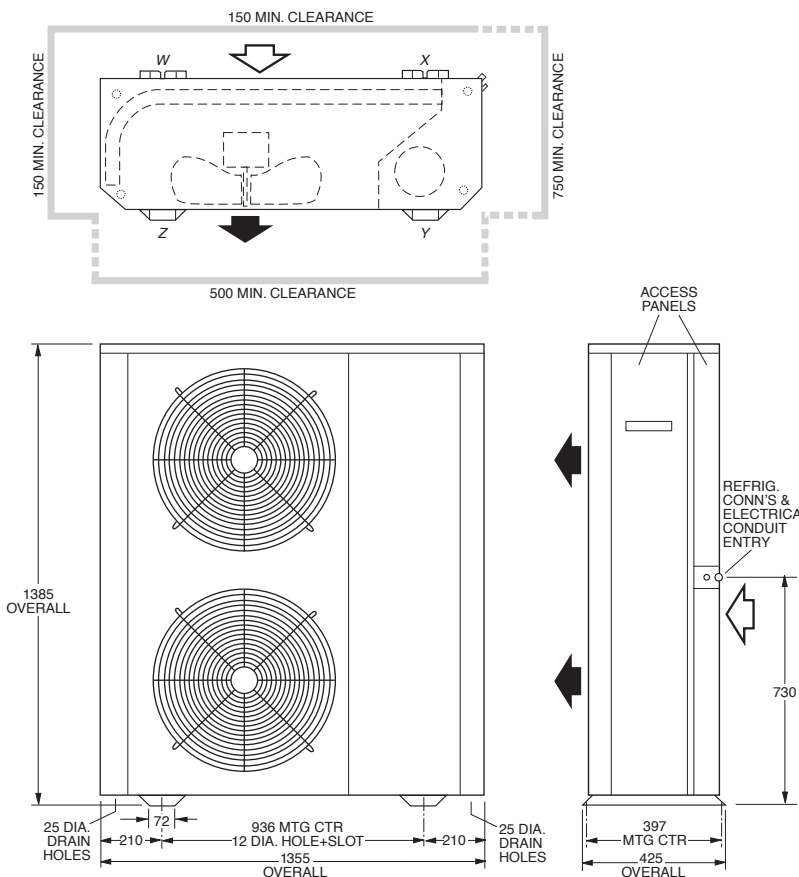


POINT LOADS (kg)			
W	X	Y	Z
24	26	21	20

Note: Fan motor can be accessed from panel above, below or sides; no more than two panels at once.



OSA 224RKTFH Outdoor Unit



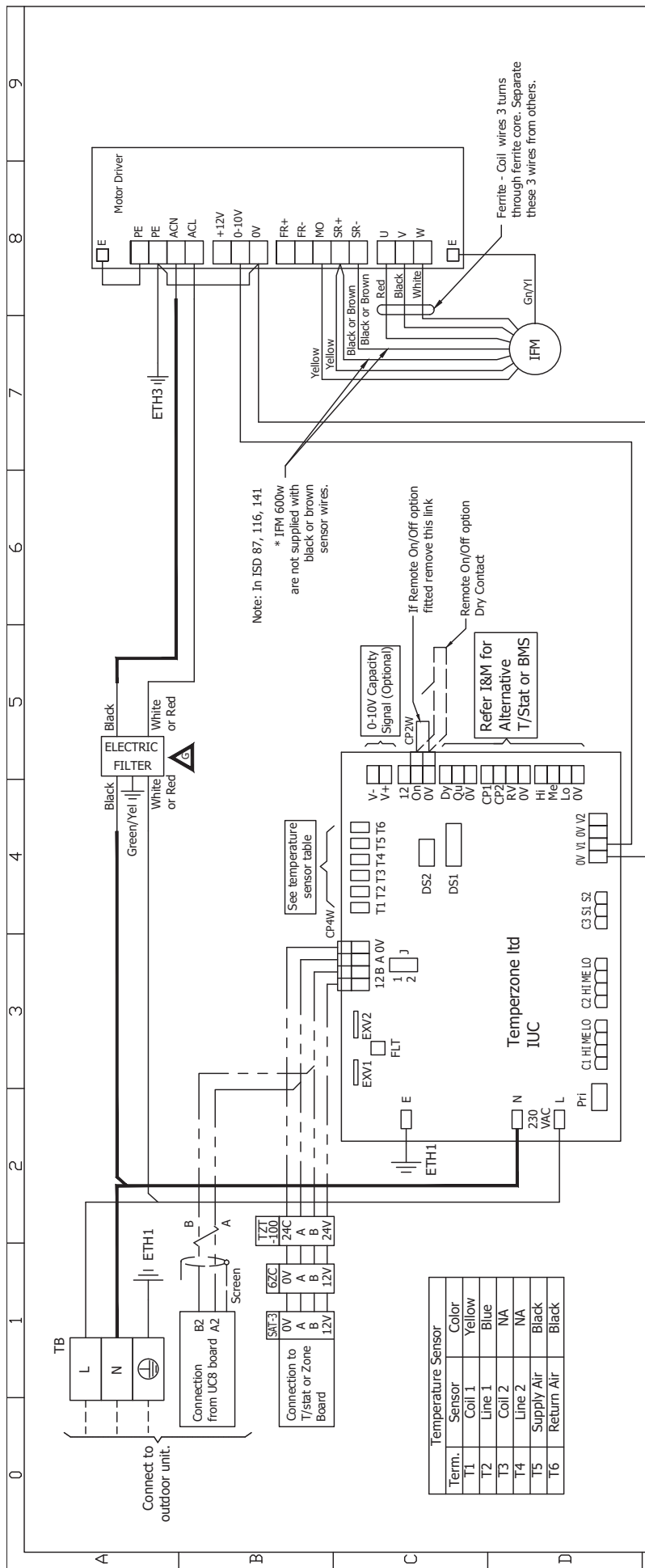
POINT LOADS (kg)			
W	X	Y	Z
36	72	48	29

Recommended Connecting Pipe Sizes
 Suction : 19 mm OD
 Liquid : 10 mm OD

NOTE

Specifications are subject to change without notice due to the manufacturer's ongoing research and development programme.





Site commissioning DIP switch setting options

Step 1: Set Output Voltage for HIGH		Step 2: Set Voltage Range LOW-HIGH			
DIP 1	DIP 2	DIP 3	DIP 4	DIP 5	RANGE
Off	Off	Off	Off	Off	2
On	Off	Off	Off	Off	3
Off	On	Off	Off	Off	4.5
On	On	Off	Off	On	6
Off	Off	On	Off	On	8.5
On	Off	On	On	On	9
Off	On	On	On	On	9.5
On	On	On	On	On	10

Notes:
To adjust indoor fan speed L/M/H settings, see section 5.2.6 of Installation & Maintenance document

6ZC	6 Zone Controller
CP2W	Connector Plug 2 Way
CP4W	Connector Plug 4 Way
IPM	Indoor Fan Motor
IUC	Indoor Unit Controller
SAT-3	SAT-3 Controller
TB	Terminal block
TZT-100	TZT-100 Controller

IUC Board Jumper selection (J)	Position	Definition
1	1	Cable length >10m and IUC is at terminating of cable.
2	2	Cable length <10m and/or not at cable terminating end. (DEFAULT)

Factory Default DIP switch Selections for Models

UNIT	DS1 DIP switch selections				DS2 DIP switch selections			
	DIP 1	DIP 2	DIP 3	DIP 4	DIP 1	DIP 2	DIP 3	DIP 4
ISD87	On	Off	Off	On	Off	Off	Off	Off
ISD116	On	On	Off	On	Off	Off	Off	Off
ISD141	On	On	Off	On	Off	Off	Off	Off
ISD164	On	On	Off	On	Off	Off	Off	Off
ISD184	On	On	Off	On	Off	Off	Off	Off
ISD194	On	On	Off	On	Off	Off	Off	Off
ISD224	On	On	Off	On	Off	Off	Off	Off

REV	DESCRIPTION	ECN	DATE	APPROVED
D	ECC 1260 Wiring Update/Earth Symbols	N3811	06-09-16	J.S.L.
E	Reconfigure DIP Switch Selections Table	N3995	07-07-17	M.A.K.
F	ECC 1260 renamed Motor Driver	N4013	10-01-18	L.O.L.
G	Make to use either white or red wire addid	N4067	12-02-18	P.M.C



©temperzone Ltd 2014

DO NOT SCALE - ASK

Client Wiring

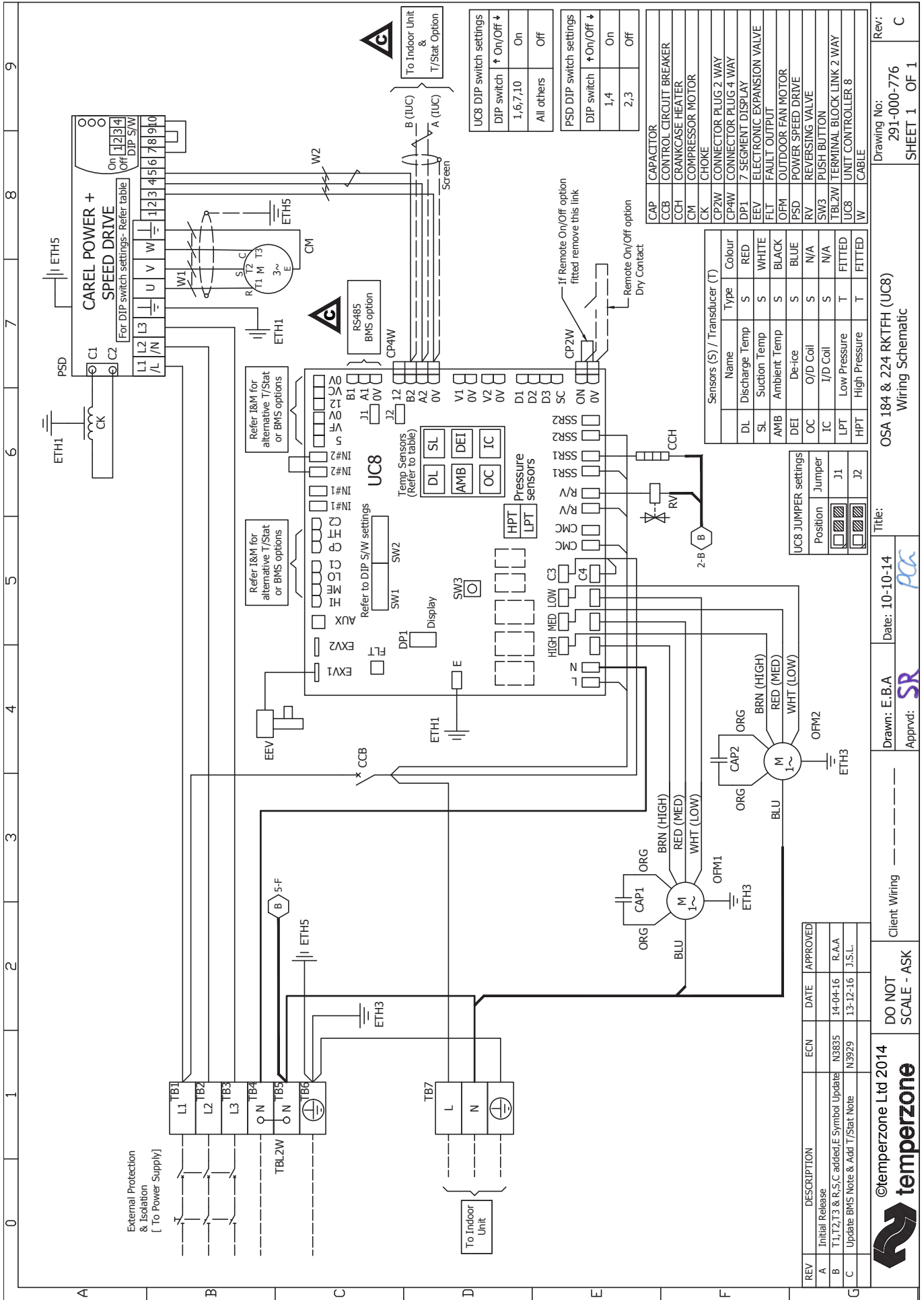
Drawn: K.T.T. Date: 22-10-14

Approved: *SR*

Title: ISD 87 / 116 / 141 / 164 / 184 / 194 / 224KYY Wiring Schematic

Drawing No: 291-000-598 SHEET 1 OF 1

Rev: G



Rev: C
Drawing No: 291-000-776
SHEET 1 OF 1

OSA 184 & 224 RKTfH (UC8)
Wiring Schematic

Date: 10-10-14
Drawn: E.B.A
Approved: SR
Client Wiring

DO NOT SCALE - ASK

©temperzone Ltd 2014
temperzone