

SPECIFICATIONS



Indoor Unit	(525-281-711)	ISD 141KYX
Outdoor Unit	(536-281-311)	OSA 141RKTGH (3Ø)
Cooling capacity (net) to AS/NZS 3823 T1		13.4 kW
Heating capacity H1		12.7 kW
Electrical input - cooling		4.2 kW
Electrical input - heating		3.5 kW
EER / AEER (cooling)		3.16 / 3.14
Unit Controllers		UC8 / IUC
Refrigerant		R410A
Refrigerant precharge for 10 m		4.5 kg
Additional charge req'd for over 10 m		50 g/m
Base refrigerant charge OSA		4.0 kg
Maximum extended line length		60 m using 19 mm suction
Separation limit: OSA above ISD		20 m
Separation limit: OSA below ISD		20 m
Suction line ≤20m / >20m		16 / 19 mm OD
Liquid line		9.5 mm OD
Compressor oil type		POE 32-3MAF (or equivalent)
Additional oil charge over 40m line length		10 ml/m
Compressor type		digital scroll
Power supply via OSA		3 ph. 400V ac 50Hz
Compressor (3ph.) run amps at rating cond.		5.7 A/ph.
Indoor fan motor size		600 W
Rated indoor fan speed		MED
Indoor fan motor (1ph.) - full load		3.5 A
Outdoor fan motor (1ph.) - full load		1.3 A
Outdoor fan capacitor size		6 µfd
Control circuit breaker (internal)		10 A
Running amps (total system)		8.7/5.7/5.7 A
Max. running amps (total system)		11 A
Net weight ISD		68 kg
Net weight OSA		128 kg

Accessories:

ISD Spring mounting kit	307-161-101
ISD Spigot plate adaptor Ø400 x 2	525-271-705
ISD Filter box c/w EU2/G2 filter (NZ only)	493-000-004
ISD Replacement filter (NZ only)	119-000-082
ISD Supply air plenum Ø400 x 2 (NZ only)	492-000-004
ISD Return air plenum Ø400 x 2 (NZ only)	492-100-004
ISD Fresh air inlet spigot Ø150 (NZ only)	325-000-051
OSA Drain connection adaptor 25/13mm	060-000-039
OSA Anti-vibration mounts - rubber (x4)	060-000-170

Optional Controls:

SAT-3 Room temperature controller	201-000-146
Six Zone Control kit for SAT-3	201-000-073
TZT-100 Room temperature controller	201-000-350

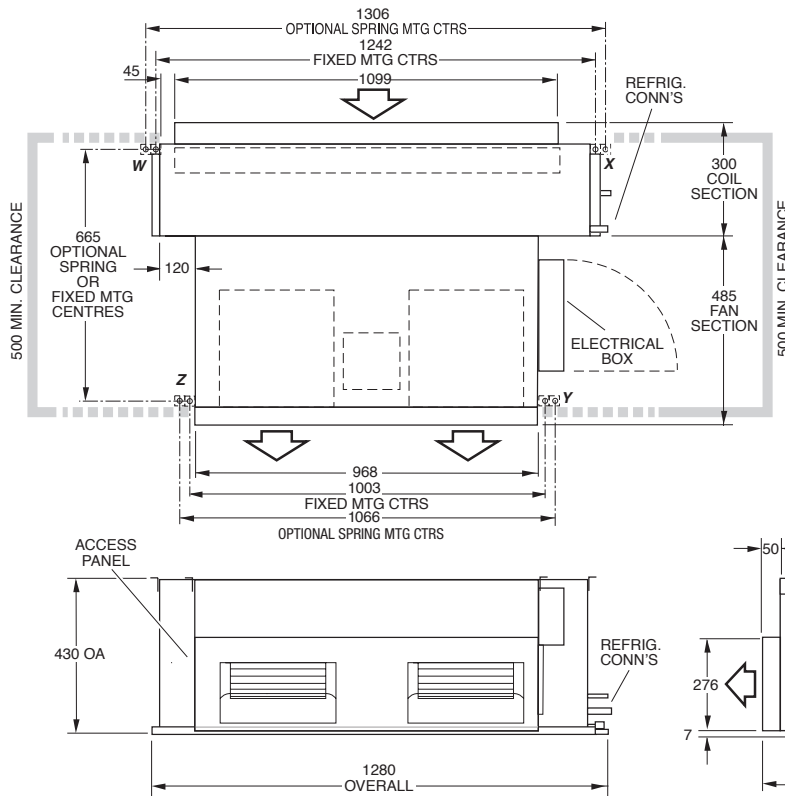
Refer to temperzone for other options, eg remote sensors, connection wires.

DIMENSIONS (mm)



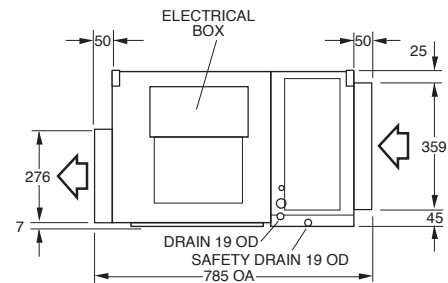
Not to Scale

ISD 141KYX Indoor Unit

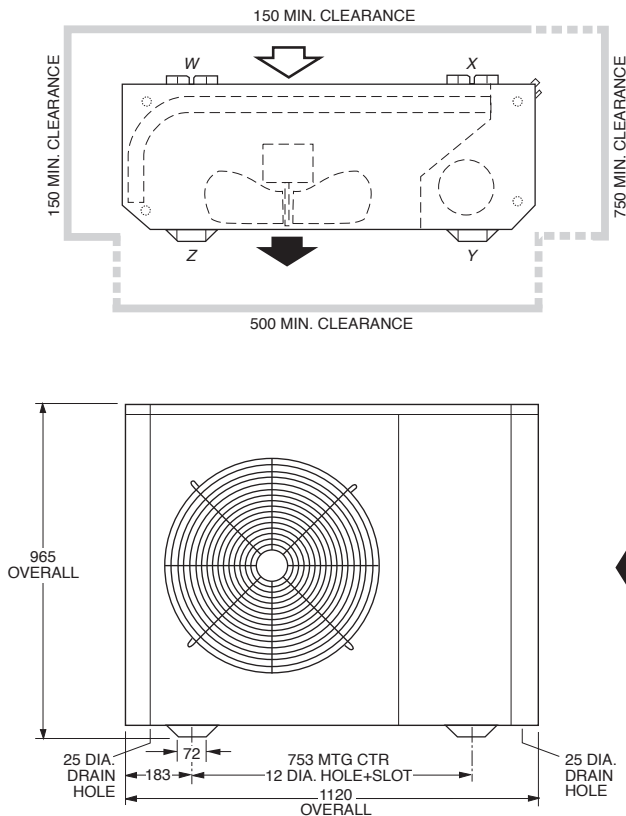


POINT LOADS (kg)			
W	X	Y	Z
16	19	17	16

Note: Fan motor can be accessed from panel above, below or sides; no more than two panels at once.



OSA 141RKTG Outdoor Unit



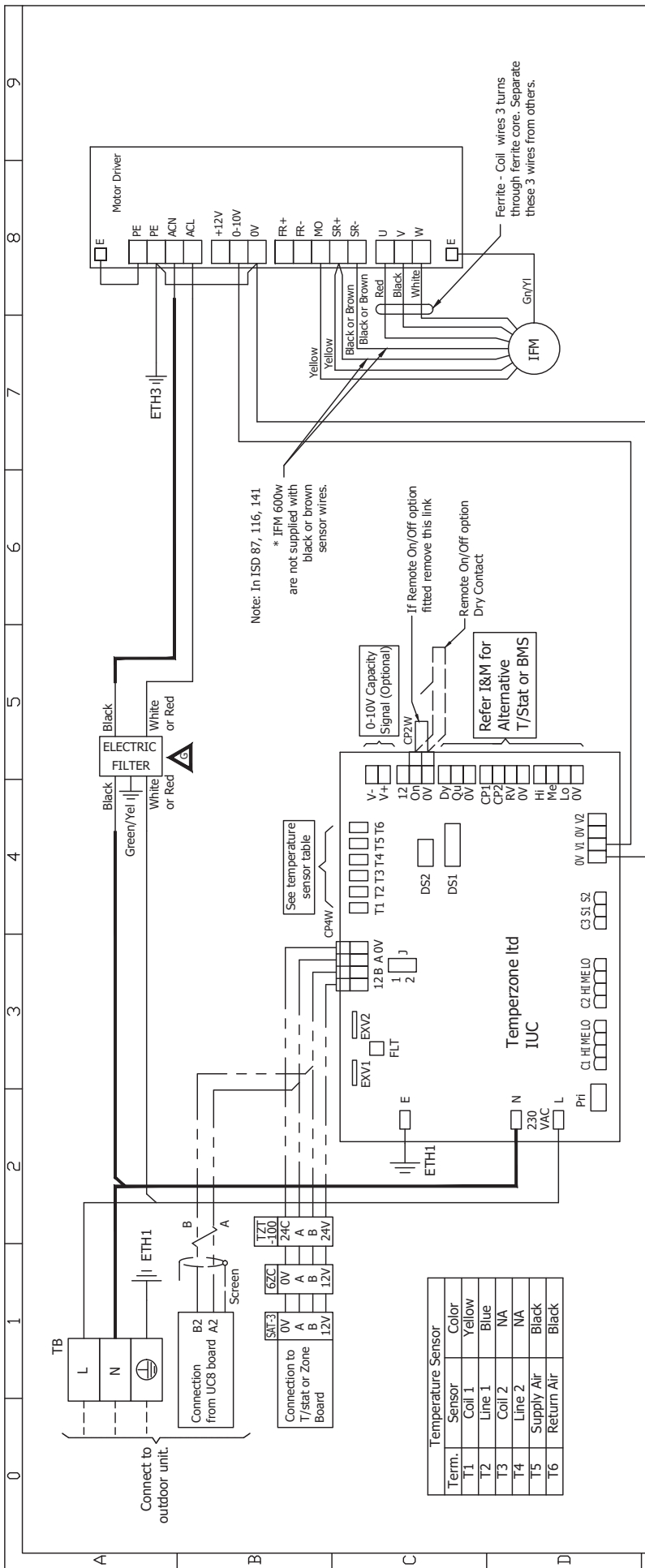
POINT LOADS (kg)			
W	X	Y	Z
16	38	50	24

Recommended Connecting Pipe Sizes
 Suction : 19 mm OD
 Liquid : 10 mm OD

NOTE

Specifications are subject to change without notice due to the manufacturer's ongoing research and development programme.





Term.	Sensor	Color
T1	Coil 1	Yellow
T2	Line 1	Blue
T3	Coil 2	NA
T4	Line 2	NA
T5	Supply Air	Black
T6	Return Air	Black

Factory Default DIP switch Selections for Models

UNIT	DS1 DIP switch selections				DS2 DIP switch selections			
	DIP 1	DIP 2	DIP 3	DIP 4	DIP 1	DIP 2	DIP 3	DIP 4
ISD87	On	Off	Off	On	On	Off	Off	Off
ISD116	On	On	Off	On	On	Off	Off	Off
ISD141	On	On	Off	On	On	Off	Off	Off
ISD164	On	On	Off	On	On	Off	Off	Off
ISD184	On	On	Off	On	On	Off	Off	Off
ISD194	On	On	Off	On	On	Off	Off	Off
ISD224	On	On	Off	On	On	Off	Off	Off

IUC Board Jumper selection (J)

Position	Definition
1	Cable length > 10m and IUC is at terminating of cable.
2	Cable length < 10m and/or not at cable terminating end. (DEFAULT)

Site commissioning DIP switch setting options

Step 1: Set Output Voltage for HIGH		Step 2: Set Voltage RANGE LOW-HIGH	
DIP 1	DIP 2	DIP 4	DIP 5
Off	Off	Off	Off
On	Off	On	Off
Off	On	Off	On
On	On	Off	On
Off	Off	On	On
On	Off	On	On

6ZC	Zone Controller
CP2W	Connector Plug 2 Way
CP4W	Connector Plug 4 Way
IFM	Indoor Fan Motor
IUC	Indoor Unit Controller
SAT-3	SAT-3 Controller
TB	Terminal block
TZ1-100	TZ1-100 Controller

Notes:
To adjust indoor fan speed L/M/H settings, see section 5.2.6 of Installation & Maintenance document

REV	DESCRIPTION	ECN	DATE	APPROVED
D	ECC 1260 Wiring Update/Earth Symbols	N3811	06-09-16	J.S.L.
E	Reconfigure DIP Switch Selections Table	N3995	07-07-17	M.A.K.
F	ECC 1260 renamed Motor Driver	N4013	10-01-18	L.O.L.
G	Note to use either white or red wire added	N4067	12-02-18	P.M.C.

©temperzone Ltd 2014

temperzone

Client Wiring

Drawn: K.T.T. Date: 22-10-14

Approved: **SR**

Title: ISD 87 / 116 / 141 / 164 / 184 / 194 / 224KXX

Wiring Schematic

Drawing No: 291-000-598

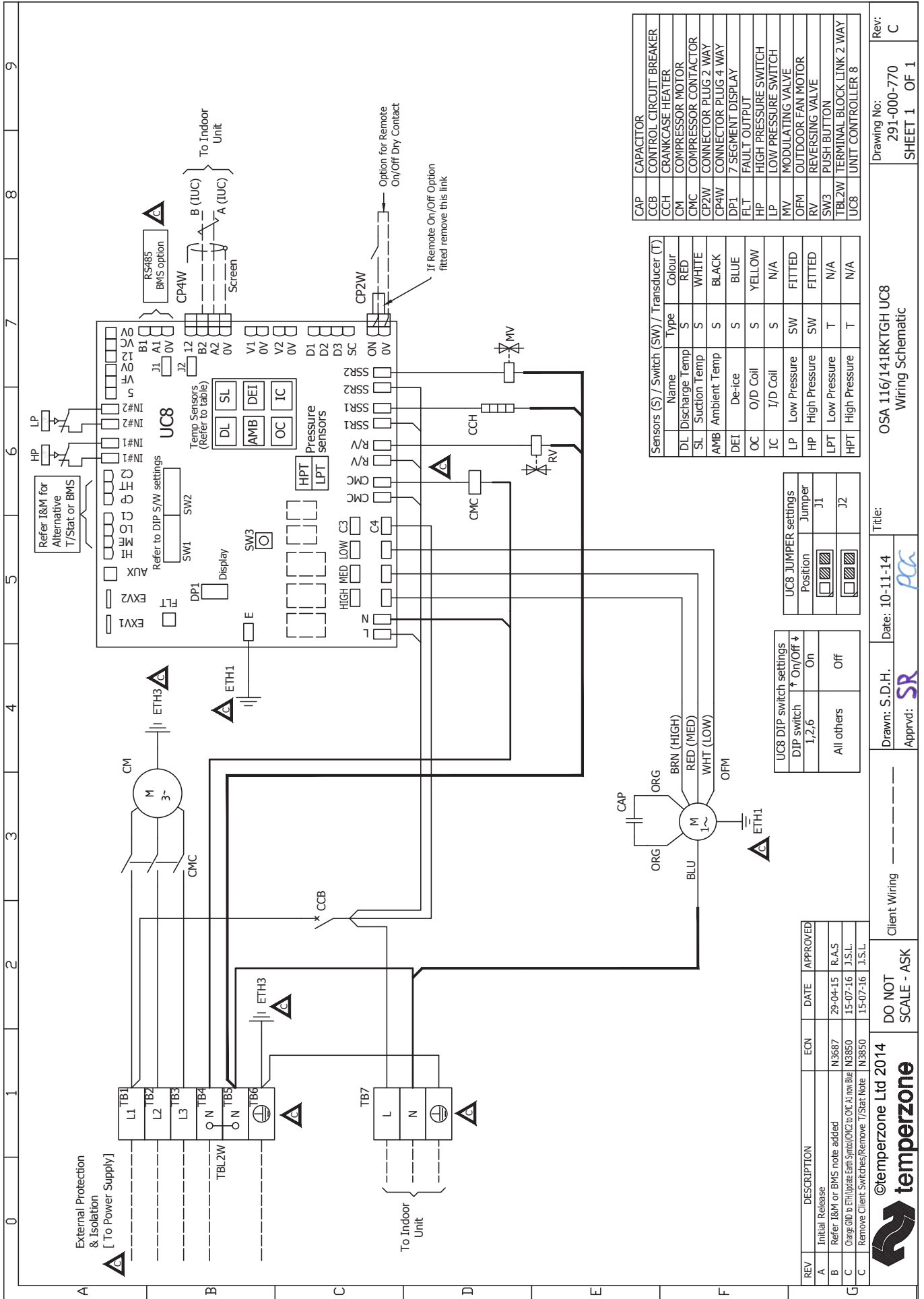
Rev: G

DO NOT SCALE - ASK

SHEET 1 OF 1

OUTDOOR UNIT WIRING

Indoor-Outdoor Connection Wiring: refer 'Installation & Maintenance' pamphlet, page 6.



Rev: C
Drawing No: 291-000-770
SHEET 1 OF 1

OSA 116/141RKTGH UC8
Wiring Schematic

Title: OSA 116/141RKTGH UC8
Date: 10-11-14
Drawn: S.D.H.
Approved: SR

Client Wiring

DO NOT SCALE - ASK

©temperzone Ltd 2014

REV	DESCRIPTION	ECN	DATE	APPROVED
A	Initial Release			
B	Refer I&M on BMS note added	N3687	29-04-15	R.A.S
C	Change cdb to ETH/Update Earth Symbol/CH2 to ONK At new Blue	N3850	15-07-16	J.S.L.
C	Remove Client Switches/Remove T/Stat Note	N3850	15-07-16	J.S.L.