

SPECIFICATIONS



Indoor Unit	(525-241-711)	ISD 116KYX
Outdoor Unit	(536-241-311)	OSA 116RKTGH (3Ø)
Cooling capacity (net) to AS/NZS 3823 T1		11.1 kW
Heating capacity H1		10.8 kW
Electrical input - cooling		3.38 kW
Electrical input - heating		3.05 kW
EER / AEER (cooling)		3.28 / 3.26
Unit Controllers		UC8 / IUC
Refrigerant		R410A
Refrigerant precharge for 10 m		4.45 kg
Additional charge req'd for over 10 m		50 g/m
Base refrigerant charge OSA		3.95 kg
Maximum extended line length		60 m
Separation limit: OSA above ISD		20 m
Separation limit: OSA below ISD		20 m
Suction line		16 mm OD
Liquid line		9.5 mm OD
Compressor oil type		POE 32-3MAF (or equivalent)
Additional oil charge over standard line length		10 ml/m
Compressor type		digital scroll
Power supply via OSA		3 ph. 400V ac 50Hz
Compressor (3ph.) run amps at rating cond.		4.7 A/ph.
Indoor fan motor size		600 W
Rated indoor fan speed		MED
Indoor fan motor (1ph.) - full load		3.5 A
Outdoor fan motor (1ph.) - full load		1.3 A
Outdoor fan capacitor size		6 µfd
Control circuit breaker (internal)		10 A
Running amps (total system)		7.1 / 4.7 / 4.7 A
Max. running amps (total system)		10 A
Net weight ISD		65 kg
Net weight OSA		128 kg

Accessories:

ISD Spring mounting kit	307-161-101
ISD Spigot plate adaptor Ø400 x 2	525-271-705
ISD Filter box c/w EU2/G2 filter (NZ only)	493-000-003
ISD Replacement filter (NZ only)	119-000-079
ISD Supply air plenum Ø350 x 2 (NZ only)	492-000-007
ISD Return air plenum Ø350 x 2 (NZ only)	492-100-003
ISD Fresh air inlet spigot Ø150 (NZ only)	325-000-051
OSA Drain connection adaptor 25/13mm	060-000-039
OSA Anti-vibration mounts - rubber (x4)	060-000-170

Optional Controls:

SAT-3 Room temperature controller	201-000-146
Six Zone Control kit for SAT-3	201-000-073
TZT-100 Room temperature controller	201-000-350

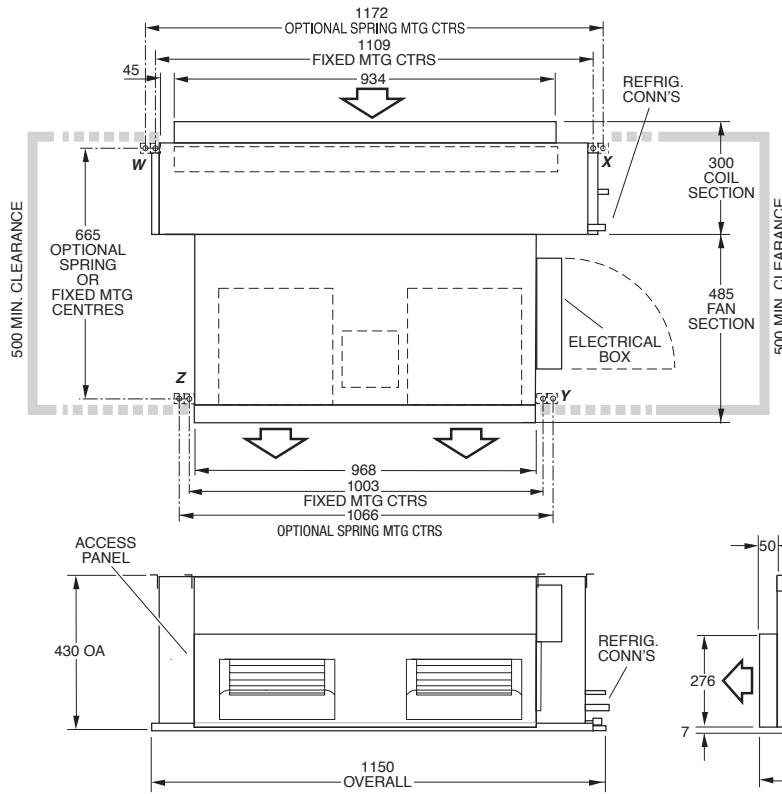
Refer to temperzone for other options, eg remote sensors, connection wires.

DIMENSIONS (mm)



Not to Scale

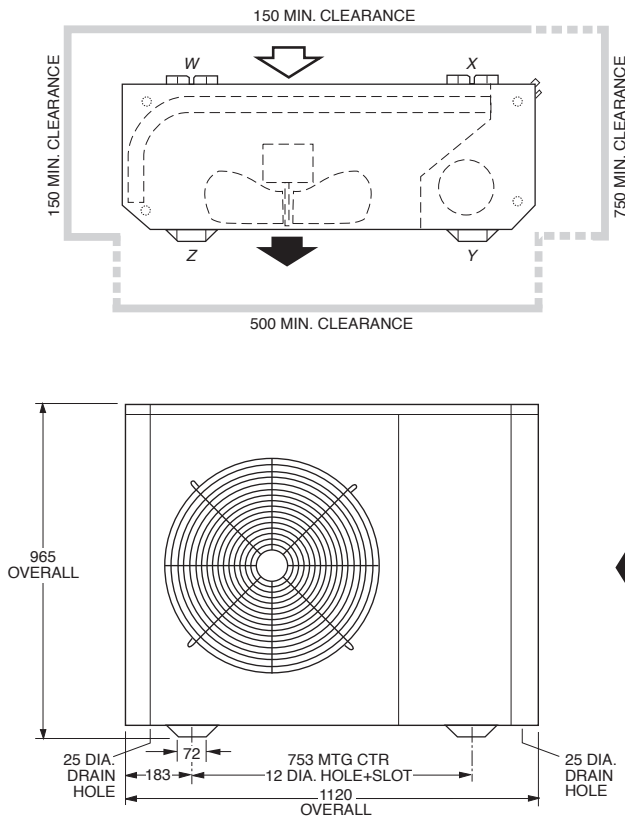
ISD 116KYX Indoor Unit



POINT LOADS (kg)			
W	X	Y	Z
15	18	17	15

Note: Fan motor can be accessed from panel above, below or sides; no more than two panels at once.

OSA 116RKTG Outdoor Unit



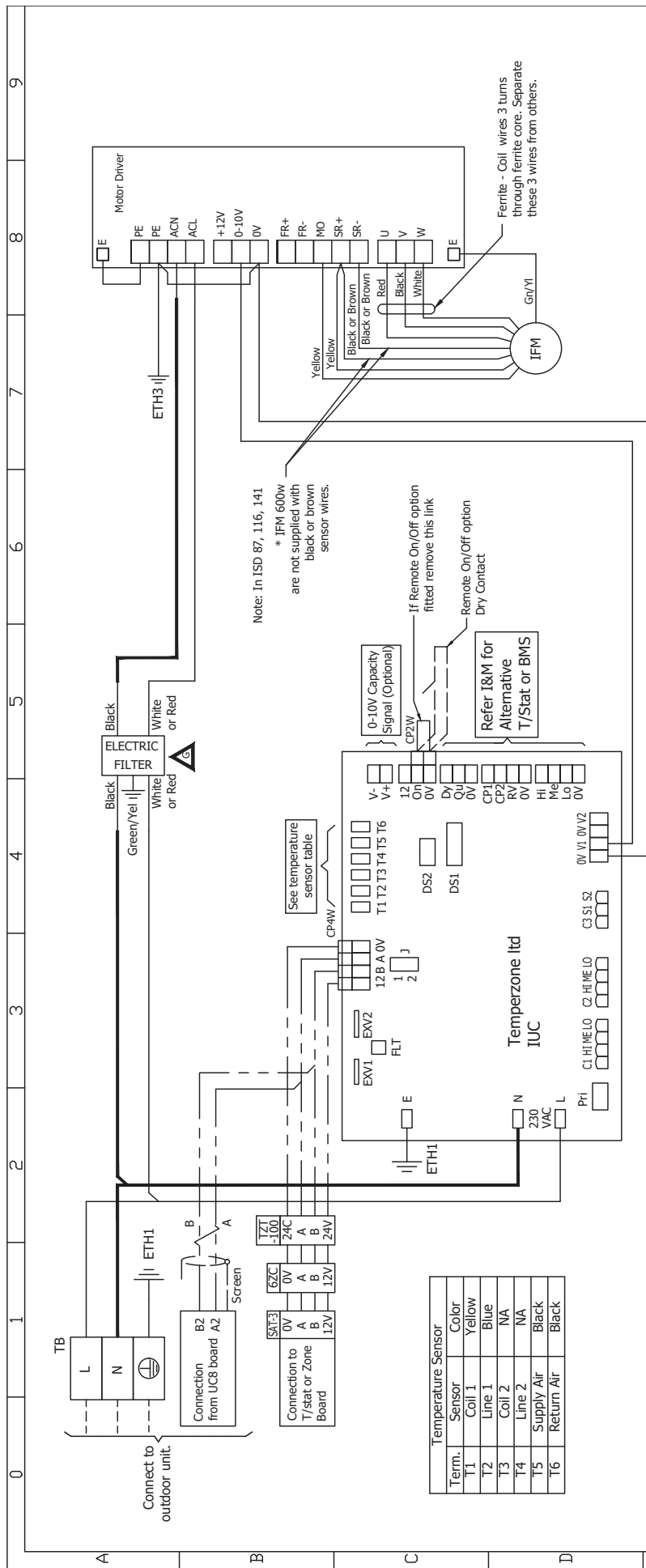
POINT LOADS (kg)			
W	X	Y	Z
16	38	50	24

Recommended Connecting Pipe Sizes
 Suction : 16 mm OD
 Liquid : 10 mm OD

NOTE

Specifications are subject to change without notice due to the manufacturer's ongoing research and development programme.





Term.	Sensor	Color
T1	Coil 1	Yellow
T2	Line 1	Blue
T3	Coil 2	NA
T4	Line 2	NA
T5	Supply Air	Black
T6	Return Air	Black

UNIT	DS1 DIP switch selections				DS2 DIP switch selections			
	DIP 1	DIP 2	DIP 3	DIP 4	DIP 1	DIP 2	DIP 3	DIP 4
ISD87	On	On	Off	Off	On	Off	Off	Off
ISD116	On	On	Off	Off	On	Off	Off	Off
ISD141	On	On	Off	Off	On	Off	Off	Off
ISD164	On	On	Off	Off	On	Off	Off	Off
ISD184	On	On	Off	Off	On	Off	Off	Off
ISD194	On	On	Off	Off	On	Off	Off	Off
ISD224	On	On	Off	Off	On	Off	Off	Off

Position	Definition
1	Cable length >10m and IUC is at terminating of cable.
2	Cable length <10m and/or not at cable terminating end. (DEFAULT)

6ZC	6 Zone Controller
CP2W	Connector Plug 2 Way
CP4W	Connector Plug 4 Way
IFM	Indoor Fan Motor
IUC	Indoor Unit Controller
SAT-3	SAT-3 Controller
TB	Terminal block
TZT-100	TZT-100 Controller

Step 1: Set Output Voltage for HIGH		Step 2: Set Voltage Range LOW-HIGH			
DIP 1	DIP 2	DIP 3	DIP 4	DIP 5	RANGE
Off	Off	Off	Off	Off	2
On	Off	Off	On	Off	3
Off	On	Off	Off	Off	4.5
On	On	Off	On	On	6
On	Off	On	On	On	10
Off	On	On	On	On	9
On	On	On	On	On	8.5
On	On	On	On	On	8
On	On	On	On	On	7
On	On	On	On	On	6.5

Notes:
To adjust indoor fan speed L/M/H settings, see section 5.2.6 of Installation & Maintenance document

REV	DESCRIPTION	ECN	DATE	APPROVED
D	ECC 1260 Wiring Update/Earth Symbols	N3811	06-09-16	J.S.L.
E	Reconfigure DIP Switch Selections Table	N3995	07-07-17	M.A.K.
F	ECC 1260 renamed Motor Driver	N4013	10-01-18	L.O.L.
G	Note to use either white or red wire added	N4067	12-02-18	P.M.C.

©temperzone Ltd 2014

Client Wiring

DO NOT SCALE - ASK

Drawn: K.T.T. Date: 22-10-14

Approved: **SR**

Title: ISD 87 / 116 / 141 / 164 / 184 / 194 / 224KYX Wiring Schematic

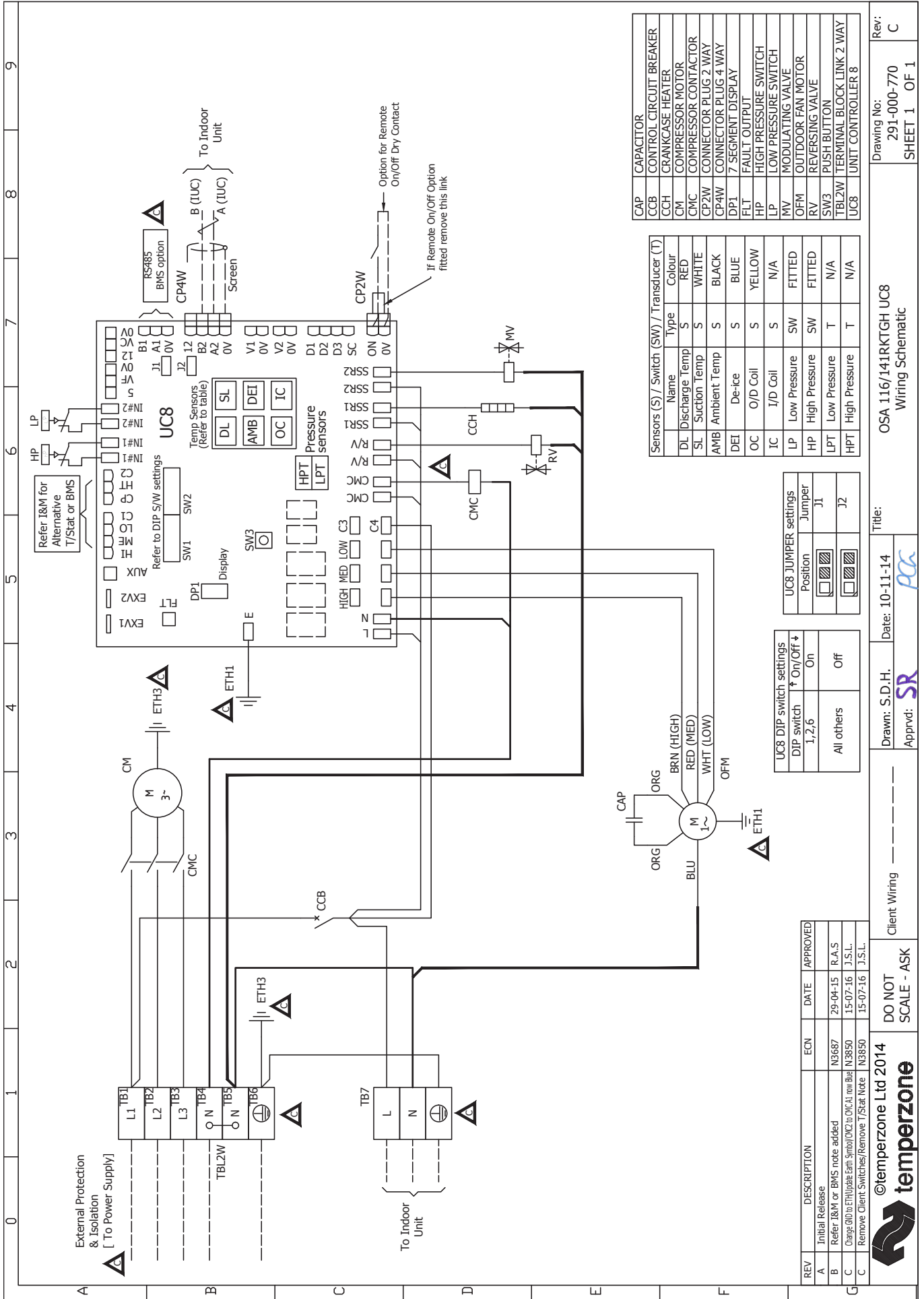
Drawing No: 291-000-598 SHEET 1 OF 1

Rev: G



OUTDOOR UNIT WIRING

Indoor-Outdoor Connection Wiring: refer 'Installation & Maintenance' pamphlet, page 6.



Name	Type	Colour	Transducer (T)
DL	Discharge Temp	RED	
SL	Suction Temp	WHITE	
AMB	Ambient Temp	BLACK	
DEI	De-ice	BLUE	
OC	O/D Coil	YELLOW	
IC	I/D Coil	N/A	
LP	Low Pressure	SW	FITTED
HP	High Pressure	SW	FITTED
LPT	Low Pressure	T	N/A
HPT	High Pressure	T	N/A

Name	Type	Colour	Transducer (T)
CAP	CAPACITOR		
CCB	CONTROL CIRCUIT BREAKER		
CCH	CRANKCASE HEATER		
CM	COMPRESSOR MOTOR		
CMC	COMPRESSOR CONTACTOR		
CP2W	CONNECTOR PLUG 2 WAY		
CP4W	CONNECTOR PLUG 4 WAY		
DP1	7 SEGMENT DISPLAY		
FLT	FAULT OUTPUT		
HP	HIGH PRESSURE SWITCH		
LP	LOW PRESSURE SWITCH		
OFM	MODULATING VALVE		
OFM	OUTDOOR FAN MOTOR		
RV	REVERSING VALVE		
SW3	PUSH BUTTON		
TBL2W	TERMINAL BLOCK LINK 2 WAY		
UC8	UNIT CONTROLLER 8		

UC8 DIP switch settings	On	Off
DIP switch 1,2,5	On	Off
All others	Off	Off

UC8 JUMPER settings	Position	Jumper
J1	On	J1
J2	Off	J2

Drawing No: 291-000-770
 SHEET 1 OF 1
 Rev: C
 Title: OSA 116/141RKTGH UC8 Wiring Schematic
 Date: 10-11-14
 Drawn: S.D.H.
 Approved: SR
 Client Wiring
 DO NOT SCALE - ASK
 ©temperzone Ltd 2014
temperzone