

SPECIFICATIONS



Indoor Unit	(525-361-712)	ISD 184KYX
Outdoor Unit	(546-361-311)	OSA 184RKTFH
Cooling capacity (net) to AS/NZS 3823 T1		17.94 kW
Heating capacity H1		18.73 kW
Electrical input - cooling		5.69 kW
Electrical input - heating		5.69 kW
EER / AEER (cooling)		3.15 / 3.10
Unit Controllers		UC8 / IUC
Refrigerant		R410A
Refrigerant precharge for 10 m		5.95 kg
Additional charge req'd for over 10 m		50 g/m
Base refrigerant charge OSA		5.45 kg
Maximum line length		60 m
Separation limit: OSA above ISD		20 m
Separation limit: OSA below ISD		20 m
Suction line		19 mm OD
Liquid line		9.5 mm OD
Compressor oil type		POE 32-3MAF (or equivalent)
Additional oil charge over 40 m length		10 ml/m
Compressor type		inverter scroll
Power supply via OSA		3 ph. 400V ac 50Hz
Compressor (3ph.) run amps at rating cond.		8.8 A
Indoor fan motor size		1250 W
Rated indoor fan speed		MED
Indoor fan motor (1ph.) - full load		5 A
Outdoor fan motor (1ph.) - full load		0.94 A (x2)
Outdoor fan capacitor size		5 μ fd (x2)
Control circuit breaker (internal)		16 A
Running amps (total system)		12.4 / 8.8 / 8.8 A
Max. running amps (total system)		18.9 / 13 / 13 A
Net weight ISD		85 kg
Net weight OSA		139 kg

Accessories:

ISD Spring mounting kit	307-161-101
ISD Spigot plate adaptor Ø450 x 2	525-311-715
ISD Filter box c/w EU2/G2 filter (NZ only)	493-000-006
ISD Replacement filter (NZ only)	119-000-082
ISD Supply air plenum Ø400 x 3 (NZ only)	492-000-005
ISD Return air plenum Ø400 x 3 (NZ only)	492-100-005
ISD Fresh air inlet spigot Ø150 (NZ only)	325-000-051
OSA Drain connection adaptor 25/13mm	060-000-039
OSA Anti-vibration mounts - rubber (x4)	060-000-170
OSA Wall mounting kit	526-061-007

Optional Controls:

SAT-3 Room temperature controller	201-000-146
Six Zone Control kit for SAT-3	201-000-073
TZT-100 Room temperature controller	201-000-350

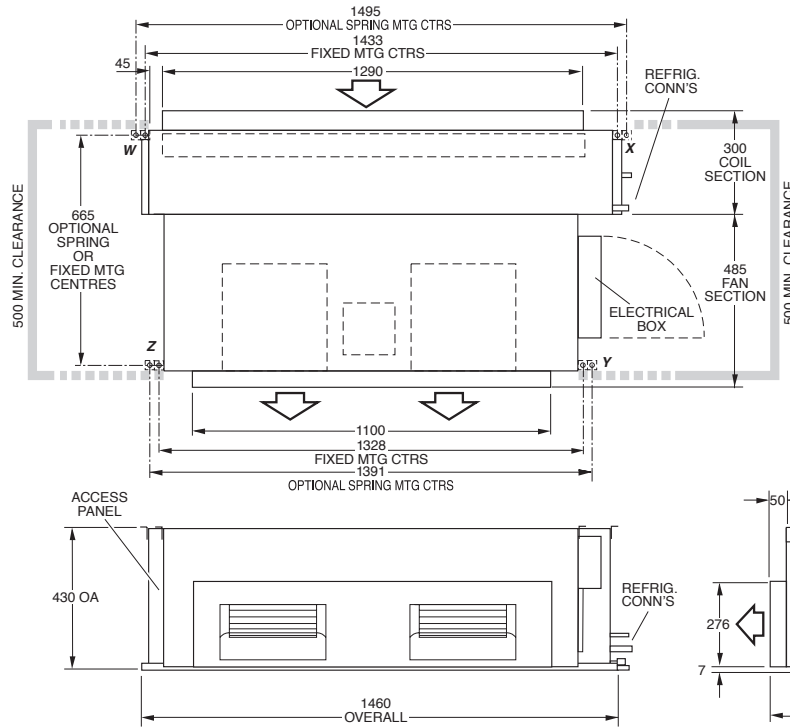
Refer to temperzone for other options, eg remote sensors, connection wires.

DIMENSIONS (mm)



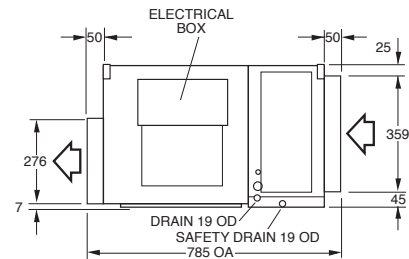
Not to Scale

ISD 184KYX Indoor Unit

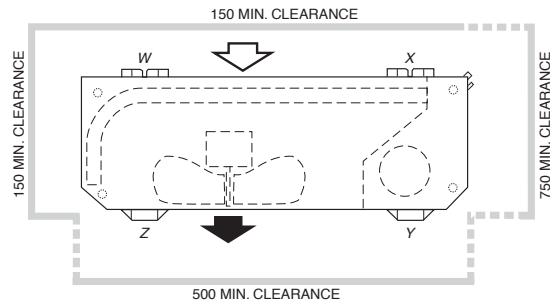


POINT LOADS (kg)			
W	X	Y	Z
26	20	24	14

Note: Fan motor can be accessed from panel above, below or sides; no more than two panels at once.



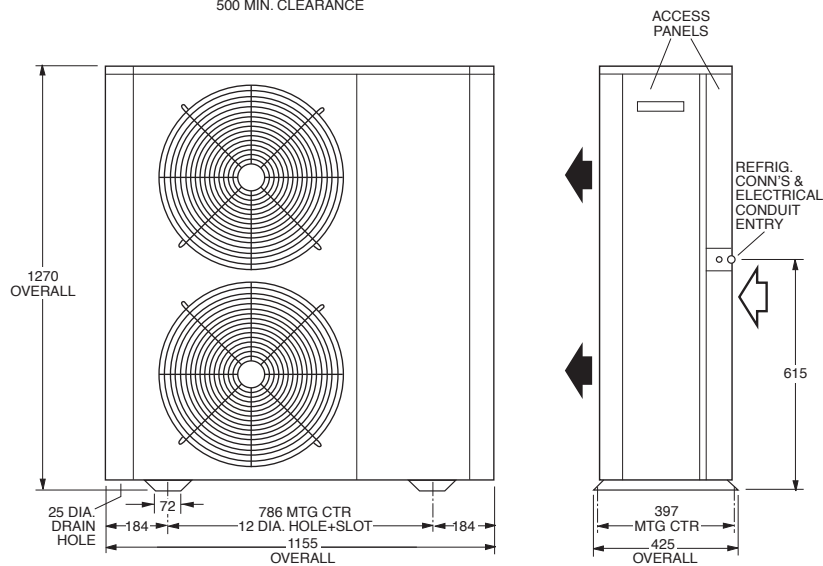
OSA 184RKTF Outdoor Unit



POINT LOADS (kg)			
W	X	Y	Z
17	54	32	36

Recommended Connecting Pipe Sizes

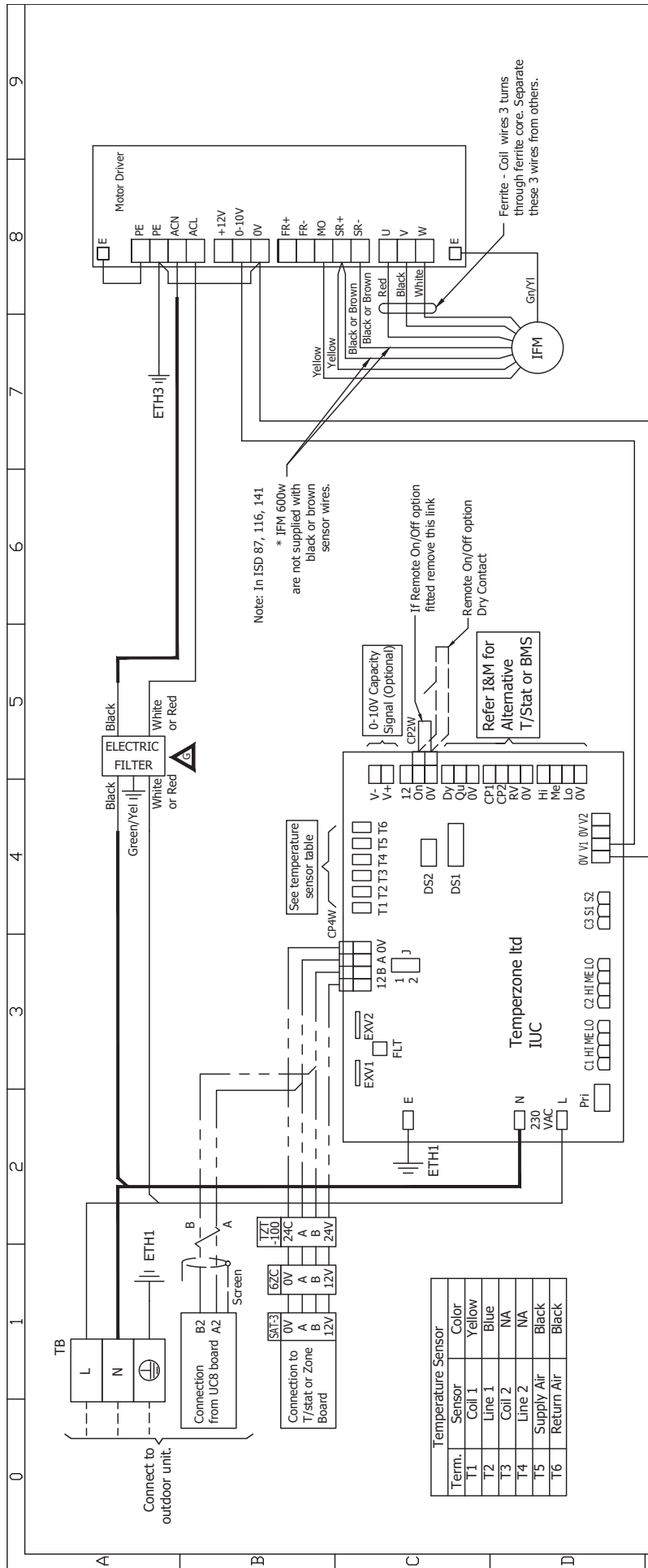
Suction : 19 mm OD
Liquid : 9.5 mm OD



NOTE

Specifications are subject to change without notice due to the manufacturer's ongoing research and development programme.





Site commissioning DIP switch setting options

Step 1: Set Output Voltage for HIGH			Step 2: Set Voltage Range LOW-HIGH		
DIP 1	DIP 2	DIP 3	DIP 4	DIP 5	RANGE
Off	Off	Off	Off	Off	2
On	Off	Off	On	Off	3
Off	On	Off	Off	On	4.5
On	On	Off	On	On	6

Notes:
To adjust indoor fan speed L/M/H settings, see section 5.2.6 of Installation & Maintenance document

6ZC	6 Zone Controller
CP2W	Connector Plug 2 Way
CP4W	Connector Plug 4 Way
IFM	Indoor Fan Motor
IUC	Indoor Unit Controller
SAT-3	SAT-3 Controller
TB	Terminal block
TZ1-100	TZ1-100 Controller

IUC Board Jumper selection (J)	Position	Definition
1		Cable length >10m and IUC is at terminating of cable.
2		Cable length <10m and/or not at cable terminating end. (DEFAULT)

Factory Default DIP switch Selections for Models

UNIT	DS1 DIP switch selections				DS2 DIP switch selections			
	DIP 1	DIP 2	DIP 3	DIP 4	DIP 1	DIP 2	DIP 3	DIP 4
ISD87	On	On	Off	On	On	Off	Off	Off
ISD116	On	On	Off	On	On	Off	Off	Off
ISD141	On	On	Off	On	On	Off	Off	Off
ISD164	On	On	Off	On	On	Off	Off	Off
ISD184	On	On	Off	On	On	Off	Off	Off
ISD194	On	On	Off	On	On	Off	Off	Off
ISD224	On	On	Off	On	On	Off	Off	Off

REV	DESCRIPTION	ECN	DATE	APPROVED
D	ECC 1260 Wiring Update/Earth Symbols	N3811	06-09-16	J.S.L.
E	Reconfigure DIP Switch Selections Table	N3995	07-07-17	M.A.K.
F	ECC 1260 renamed Motor Driver	N4013	10-01-18	L.O.L.
G	Note to use either white or red wire added	N4067	12-02-18	P.M.C.

Client Wiring

Drawn: K.T.T. Date: 22-10-14

Approved:

Tempertzone Ltd 2014

DO NOT SCALE - ASK

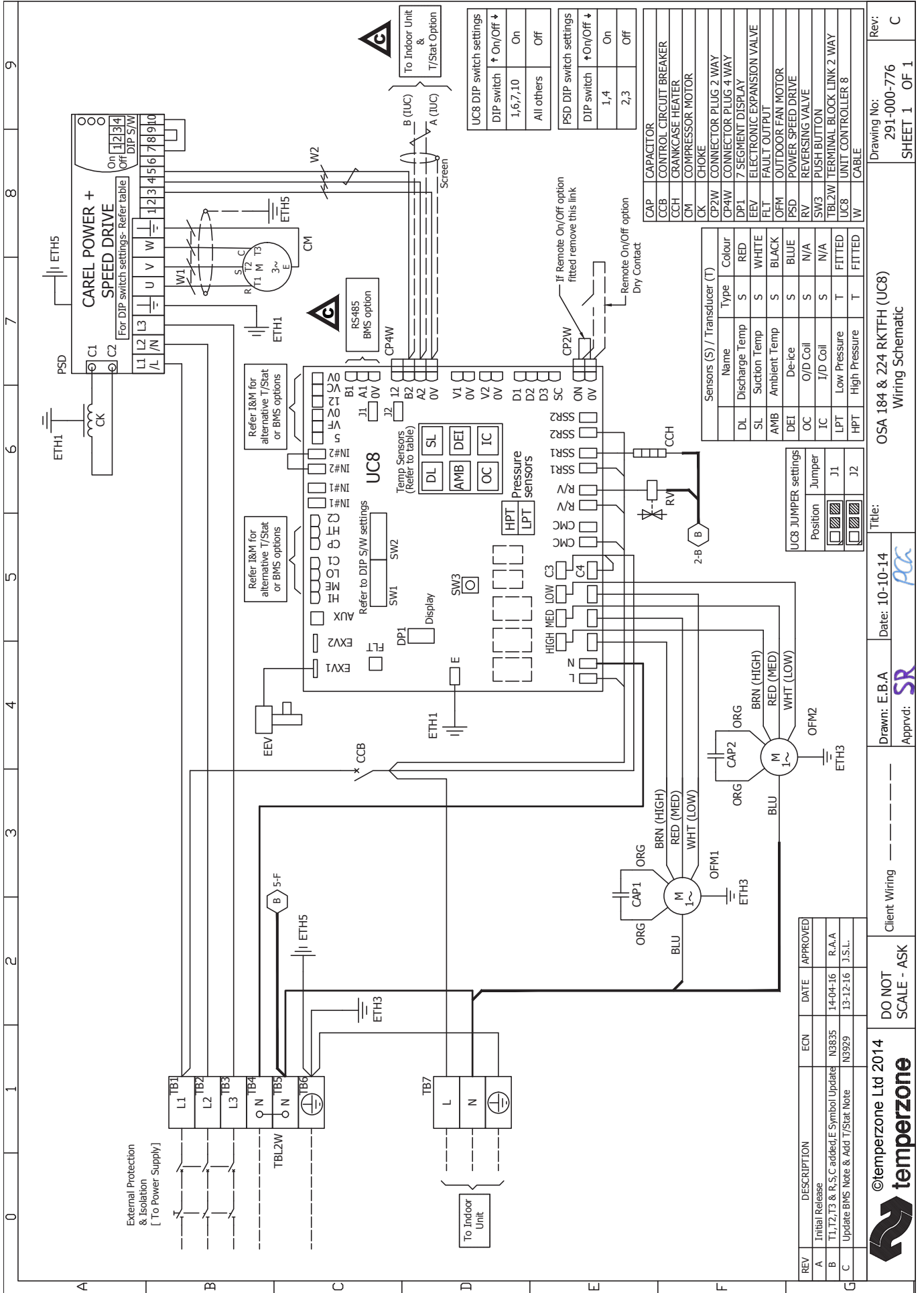
©tempertzone Ltd 2014

Title: ISD 87 / 116 / 141 / 164 / 184 / 194 / 224KXX
Wiring Schematic

Drawing No: 291-000-598
SHEET 1 OF 1

Rev: G

Indoor-Outdoor Connection Wiring: refer 'Installation & Maintenance' pamphlet, page 6.



Drawing No: 291-000-776
 SHEET 1 OF 1
 Rev: C

Title: OSA 184 & 224 RKTfH (UC8) Wiring Schematic

Drawn: E.B.A
 Date: 10-10-14
 Approved: SR

Client Wiring
 DO NOT SCALE - ASK

©temperzone Ltd 2014
temperzone

REV	DESCRIPTION	ECN	DATE	APPROVED
A	Initial Release			
B	TL1, T2, T3 & R.S.C address, E Symbol Update	N3835	14-04-16	R.A.A
C	Update BMS Note & Add T/Stat Note	N3929	13-12-16	J.S.L.