

SPECIFICATIONS



Indoor Unit	(525-411-711)	ISD 194KYX
Outdoor Unit	(536-411-311)	OSA 194RKTGH
Cooling capacity (net) to AS/NZS 3823 T1		18.7 kW
Heating capacity H1		16.83 kW
Electrical input - cooling		5.75 kW
Electrical input - heating		4.70 kW
EER / AEER (cooling)		3.25 / 3.20
Unit Controllers		UC8 / IUC
Refrigerant		R410A
Refrigerant precharge for 10 m		6.5 kg
Additional charge req'd for over 10 m		100 g/m
Base refrigerant charge OSA		5.5 kg
Maximum line length		60 m
Separation limit: OSA above ISD		20 m
Separation limit: OSA below ISD		20 m
Suction line		19 mm OD
Liquid line		9.5 mm OD
Compressor oil type		POE 32-3MAF (or equivalent)
Additional oil charge over 40m line length		20 ml/m
Compressor type		digital scroll
Power supply via OSA		3 ph. 400V ac 50Hz
Compressor (3ph.) run amps at rating cond.		7.9 A
Indoor fan motor size		1250 W
Rated indoor fan speed		MED
Indoor fan motor (1ph.) - full load		4 A
Outdoor fan motor (1ph.) - full load		1 A (x2)
Outdoor fan capacitor size		5 μ fd (x2)
Control circuit breaker (internal)		16 A
Running amps (total system)		11.65 / 7.9 / 7.9 A
Max. running amps (total system)		13.5 A/ph.
Net weight ISD		90 kg
Net weight OSA		160 kg

Accessories:

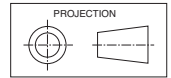
ISD Spring mounting kit	307-161-101
ISD Spigot plate adaptor Ø450 x 2	525-311-715
ISD Filter box c/w EU4/G4 filter ^(NZ only)	493-000-007
ISD Replacement filter ^(NZ only)	019-400-002(x2), 019-400-003(x1)
ISD Supply air plenum Ø400 x 3 ^(NZ only)	492-000-005
ISD Return air plenum Ø400 x 3 ^(NZ only)	492-100-006
ISD Fresh air inlet spigot Ø200 ^(NZ only)	325-000-052
OSA Drain connection adaptor 25/13mm	060-000-039
OSA Anti-vibration mounts - rubber (x4)	060-000-170
OSA Wall mounting kit	526-061-007

Optional Controls:

SAT-3 Room temperature controller	201-000-146
Six Zone Control kit for SAT-3	201-000-073
TZT-100 Room temperature controller	201-000-350

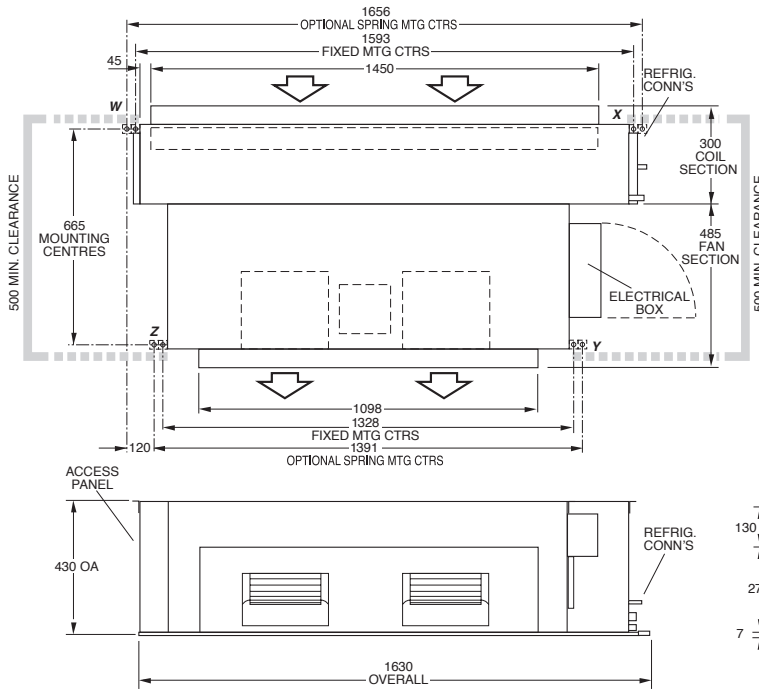
Refer to temperzone for other options, eg remote sensors, connection wires.

DIMENSIONS (mm)



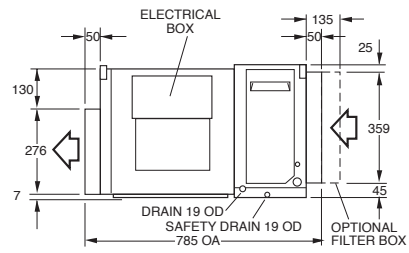
Not to Scale

ISD 194KYX Indoor Unit

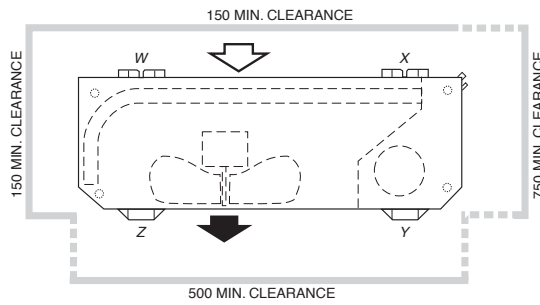


POINT LOADS (kg)			
W	X	Y	Z
24	26	22	18

Note: Fan motor can be accessed from panel above, below or sides; no more than two panels at once.

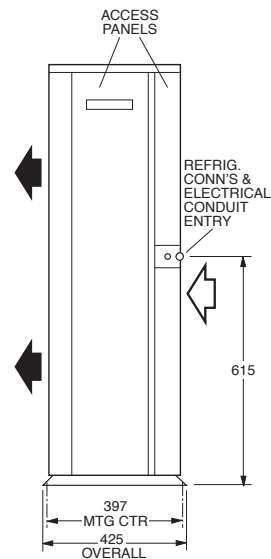
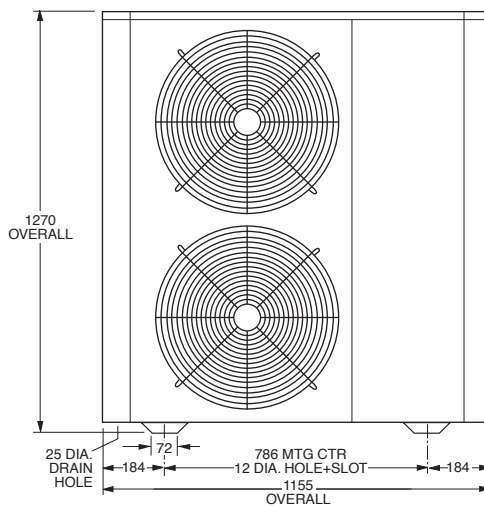


OSA 194RKTG Outdoor Unit



POINT LOADS (kg)			
W	X	Y	Z
22	60	38	40

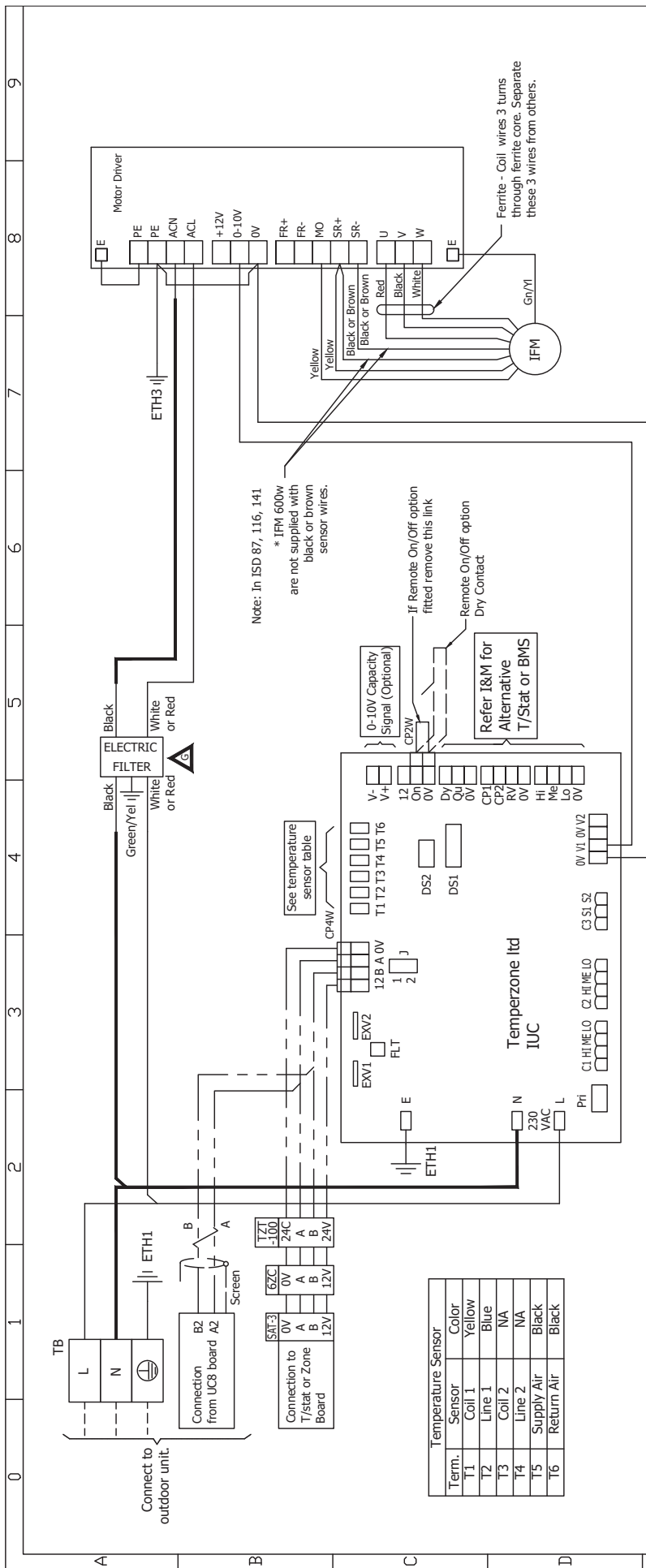
Recommended Connecting Pipe Sizes
 Suction : 19 mm OD
 Liquid : 9.5 mm OD



NOTE

Specifications are subject to change without notice due to the manufacturer's ongoing research and development programme.





Term.	Sensor	Color
T1	Coil 1	Yellow
T2	Line 1	Blue
T3	Coil 2	NA
T4	Line 2	NA
T5	Supply Air	Black
T6	Return Air	Black

Factory Default DIP switch Selections for Models								
DS1 DIP switch selections			DS2 DIP switch selections			Reserved		
UNIT	DIP 1	DIP 2	DIP 3	DIP 4	DIP 5	DIP 6	DIP 7	DIP 8
ISD87	On	On	Off	Off	On	Off	Off	Off
ISD116	On	On	Off	Off	On	Off	Off	Off
ISD141	On	On	Off	Off	On	Off	Off	Off
ISD164	On	On	Off	Off	On	Off	Off	Off
ISD184	On	On	Off	Off	On	Off	Off	Off
ISD194	On	On	Off	Off	On	Off	Off	Off
ISD224	On	On	Off	Off	On	Off	Off	Off

Site commissioning DIP switch setting options					
Step 1: Set Output Voltage for HIGH			Step 2: Set Voltage Range LOW-HIGH		
DIP 1	DIP 2	DIP 3	DIP 4	DIP 5	RANGE
Off	Off	Off	Off	Off	2
On	Off	Off	On	Off	3
Off	On	Off	Off	On	4.5
On	On	Off	On	On	6

6ZC	6 Zone Controller
CP2W	Connector Plug 2 Way
CP4W	Connector Plug 4 Way
IFM	Indoor Fan Motor
IUC	Indoor Unit Controller
SAT-3	SAT-3 Controller
TB	Terminal block
TZ1-100	TZ1-100 Controller

IUC Board Jumper selection (J)	
Position	Definition
1	Cable length >10m and IUC is at terminating of cable.
2	Cable length <10m and/or not at cable terminating end. (DEFAULT)

REV	DESCRIPTION	ECN	DATE	APPROVED
D	ECC 1260 Wiring Update/Earth Symbols	N3811	06-09-16	J.S.L.
E	Reconfigure DIP Switch Selections Table	N3995	07-07-17	M.A.K.
F	ECC 1260 renamed Motor Driver	N4013	10-01-18	L.O.L.
G	Note to use either white or red wire added	N4067	12-02-18	P.M.C.

Notes:
To adjust indoor fan speed L/M/H settings, see section 5.2.6 of Installation & Maintenance document

©temperzone Ltd 2014

Client Wiring

Drawn: K.T.T. Date: 22-10-14

Approved: SR

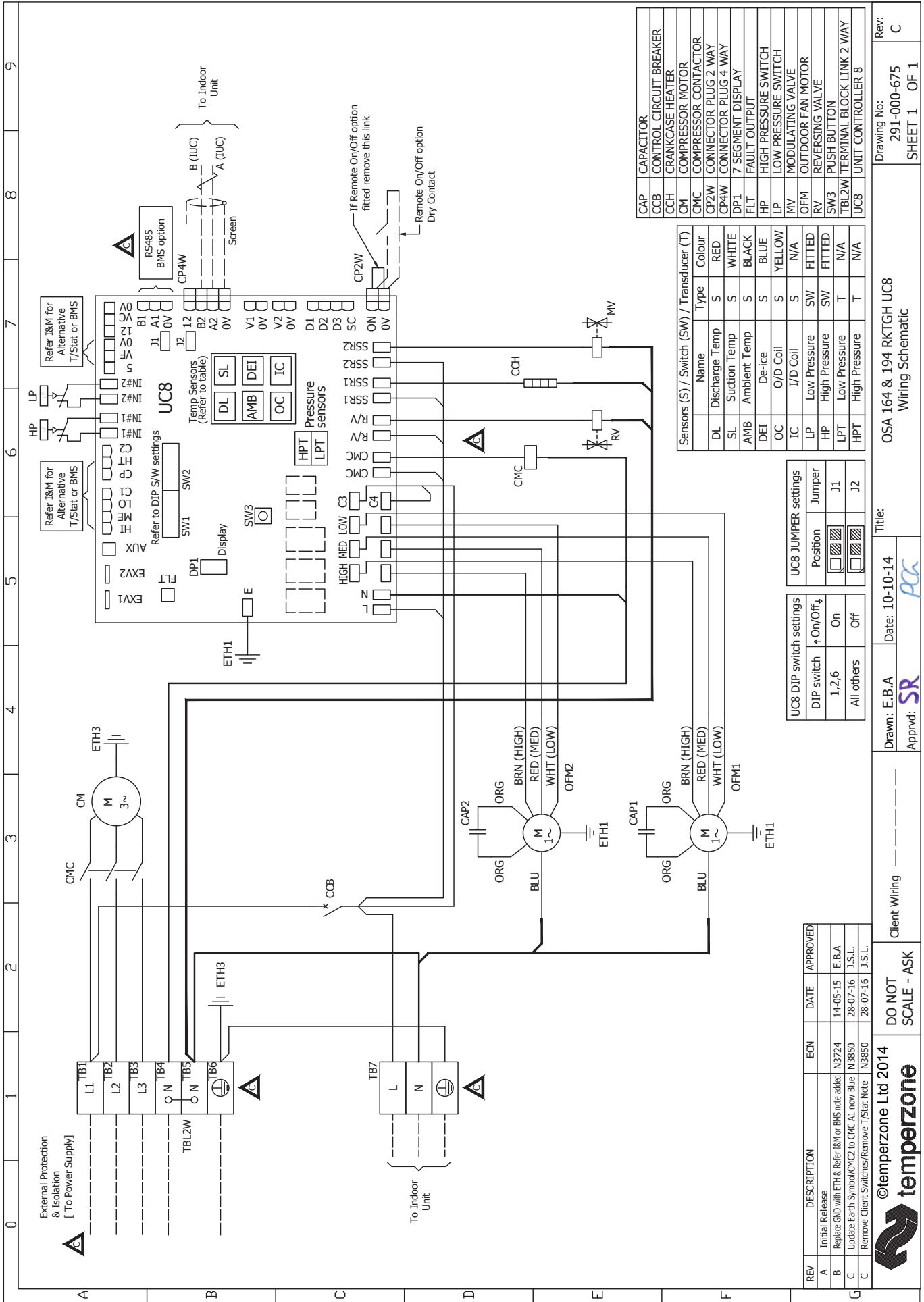
Title: ISD 87 / 116 / 141 / 164 / 184 / 194 / 224KXX Wiring Schematic

Drawing No: 291-000-598 SHEET 1 OF 1

Rev: G

OUTDOOR UNIT WIRING

Indoor-Outdoor Connection Wiring: refer 'Installation & Maintenance' pamphlet, page 6.



CAP	CAPACITOR
CCB	CONTROL CIRCUIT BREAKER
CCH	CRANKCASE HEATER
CM	COMPRESSOR MOTOR
CMC	COMPRESSOR CONTACTOR
CP2W	CONNECTOR PLUG 2 WAY
CP4W	CONNECTOR PLUG 4 WAY
DP1	7 SEGMENT DISPLAY
FLT	FAULT OUTPUT
HP	HIGH PRESSURE SWITCH
LP	LOW PRESSURE SWITCH
MV	MODULATING VALVE
OFM	OUTDOOR FAN MOTOR
RV	REVERSING VALVE
SW3	PUSH BUTTON
TBL2W	TERMINAL BLOCK LINK 2 WAY
UC8	UNIT CONTROLLER 8

Sensors (S) / Switch (SW) / Transducer (T)	Name	Type	Colour
DL	Discharge Temp	S	RED
SL	Suction Temp	S	WHITE
AMB	Ambient Temp	S	BLACK
DEI	De-ice	S	BLUE
OC	O/D Coil	S	YELLOW
IC	I/D Coil	S	N/A
LP	Low Pressure	SW	FITTED
HP	High Pressure	SW	FITTED
LPT	Low Pressure	T	N/A
HPT	High Pressure	T	N/A

UC8 DIP switch settings	
DIP switch 1-2,6	On
All others	Off

UC8 JUMPER settings	
Position	J1
Jumper	J2

Rev: C
Drawing No: 291-000-675
SHEET 1 OF 1

Title: OSA 164 & 194 RKTGH UC8
Wiring Schematic

Date: 10-10-14
Drawn: E.B.A
Approved: SR
Client Wiring

DO NOT SCALE - ASK

©temperzone Ltd 2014
temperzone

REV	DESCRIPTION	ECN	DATE	APPROVED
A	Initial Release			
B	Replace GND with ETH & Refer I&M or BMS note added	N3724	14-05-15	E.B.A
C	Update Earth Symbol/CMC2 to CMCA1 now Blue	N3850	28-07-16	J.S.L.
C	Remove Client Switches/Remove T/Stat Note	N3850	28-07-16	J.S.L.