

Wed Jul 09 2014

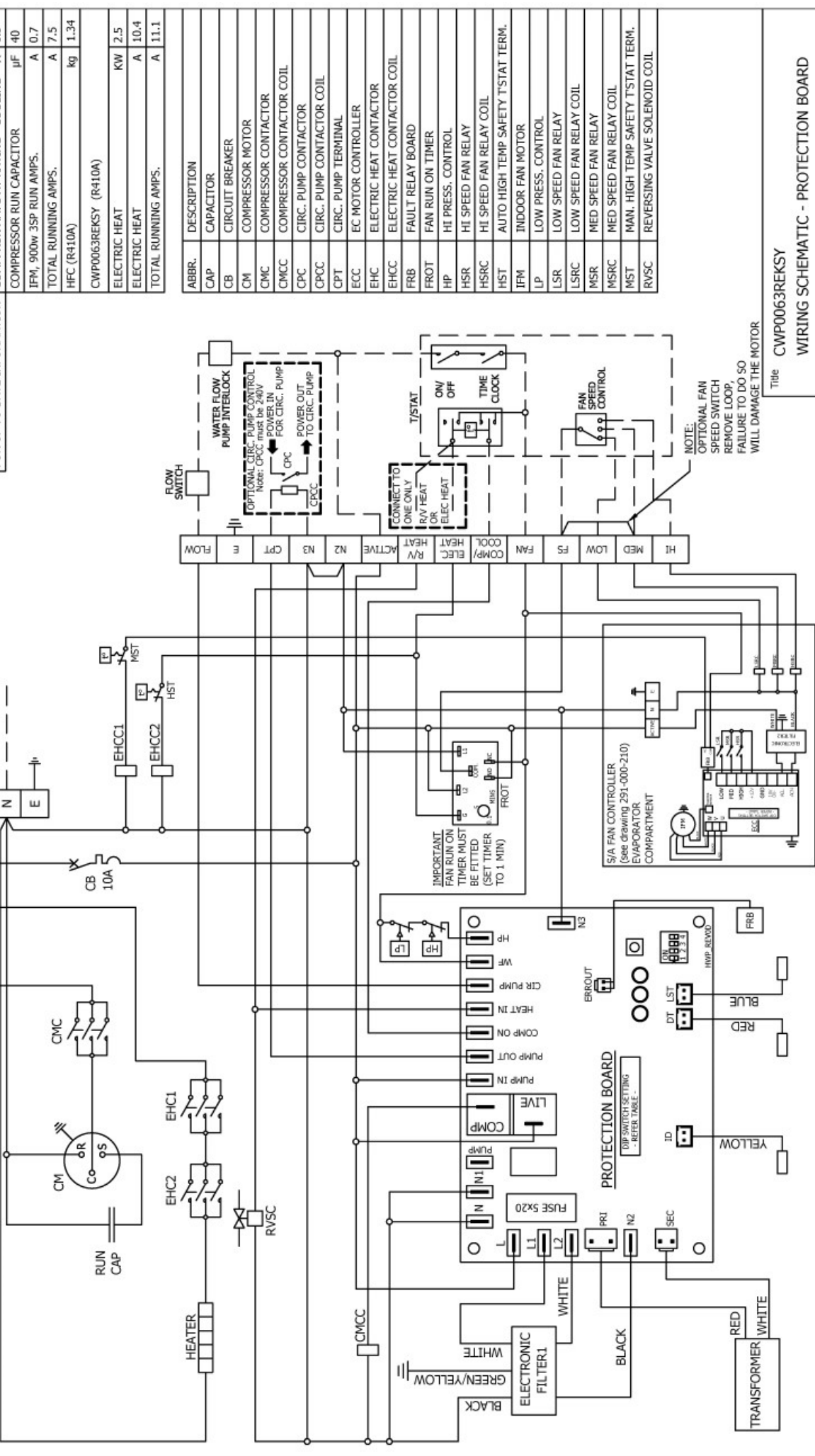
Concealed Water Cooled Package Unit

CE Series Wiring Diagrams



DO NOT SCALE - ASK

REFER TO WEBSITE
www.temperzone.biz
FOR UP TO DATE INFORMATION



TEMPERZONE LIMITED 2009

temperzone

©temperzone limited 2009

WIRING SCHEMATIC - PROTECTION BOARD

Title CWP0063REKSY

OFF	ON	ON	ON
COOL ONLY	1	HEAT PUMP	
FAULT RELAY ACTIVATED UPON FAN LOCK OUT	2	FAULT RELAY ACTIVATED WITH BACK SYSTEM FAULT	
1ST ACTIVATED AT 2°C	3	1ST ACTIVATED AT 1°C	
SPARE	4		

STANDARD DIPSWITCH SETTINGS

CLIENT WIRING

Interconnections between units by client. Double insulated multi-core cable.

NOTE: CHECK WIRING BEFORE SWITCHING ON, INCORRECT CONNECTION WILL DAMAGE MOTORS.

ISSUE	MODIFICATION	EC/N	DATE	APPRVD
F	HST & MST IN UNIT WAS IN EVAP. ELEC BOX	A2428	25/03/14	JPB
E	TITLE CWP0063REKSY WAS CWP0066REKSY	A2408	7/02/14	JPB
D	TITLE CWP0066REKSY WAS CWP0063REKSY	A2271	12/04/13	JPB

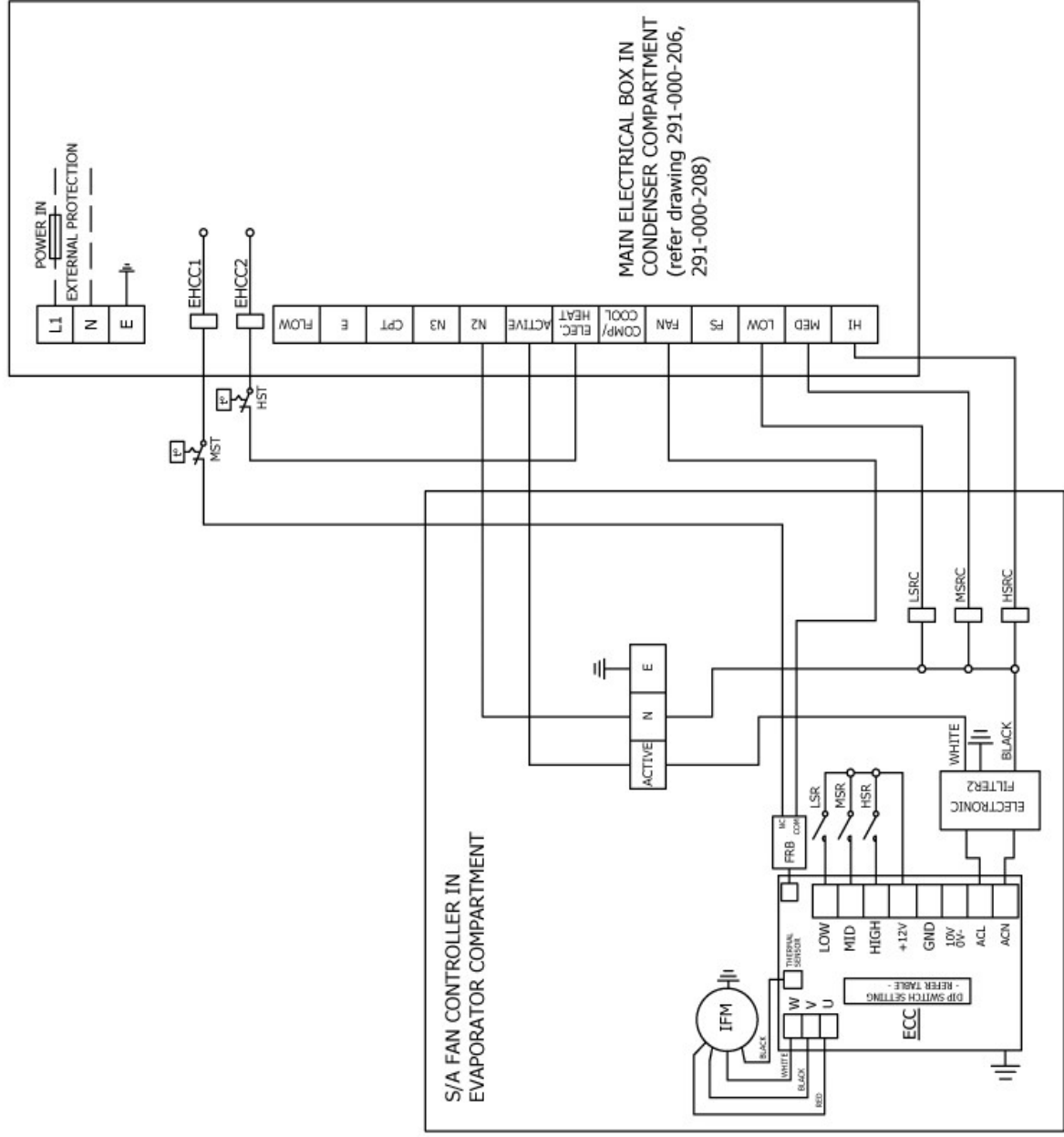
ABBR.	DESCRIPTION
CAP	CAPACITOR
CB	CIRCUIT BREAKER
CM	COMPRESSOR MOTOR
CMC	COMPRESSOR CONTACTOR
CMCC	COMPRESSOR CONTACTOR COIL
CPC	CIRC. PUMP CONTACTOR
CPCC	CIRC. PUMP CONTACTOR COIL
CPT	CIRC. PUMP TERMINAL
EC	ELECTRIC HEAT CONTACTOR
EHC	ELECTRIC HEAT CONTACTOR
EHCC	ELECTRIC HEAT CONTACTOR COIL
FRB	FAULT RELAY BOARD
FROT	FAN RUN ON TIMER
HP	HI PRESS. CONTROL
HSR	HI SPEED FAN RELAY
HSRC	HI SPEED FAN RELAY COIL
HST	AUTO HIGH TEMP SAFETY T/STAT TERM.
IFM	INDOOR FAN MOTOR
LP	LOW PRESS. CONTROL
LSR	LOW SPEED FAN RELAY
LSRC	LOW SPEED FAN RELAY COIL
MSR	MED SPEED FAN RELAY
MSRC	MED SPEED FAN RELAY COIL
MST	MAN. HIGH TEMP SAFETY T/STAT TERM.
RVSC	REVERSING VALVE SOLENOID COIL

COMP. RUN AMPS AT RATING - COOLING	A	6.8
COMPRESSOR RUN CAPACITOR	µF	40
IFM, 900w 3SP RUN AMPS.	A	0.7
TOTAL RUNNING AMPS.	A	7.5
HFC (R410A)	kg	1.34
CWP0063REKSY (R410A)		
ELECTRIC HEAT	KW	2.5
ELECTRIC HEAT	A	10.4
TOTAL RUNNING AMPS.	A	11.1

DO NOT SCALE - ASK

CWP0063 (R410A)
IFM, 900W 3SP RUN AMPS, A 0.7

ABBR.	DESCRIPTION
ECC	EC MOTOR CONTROLLER
EHCC	ELECTRIC HEAT CONTACTOR COIL
HSR	HIGH SPEED FAN RELAY
HSRC	HIGH SPEED FAN RELAY COIL
HST	AUTO HIGH TEMP SAFETY T'STAT
IFM	INDOOR FAN MOTOR
LSR	LOW SPEED FAN RELAY
LSRC	LOW SPEED FAN RELAY COIL
MSR	MED. SPEED FAN RELAY
MSRC	MED. SPEED FAN RELAY COIL
MST	MAN. HIGH TEMP SAFETY T'STAT



REFER TO WEBSITE
www.temperzone.biz
FOR UP TO DATE INFORMATION

EC-BOARD SPEED SELECTION - DIP SWITCH 2 (DIP2)

SWITCH 1	OFF	OFF	OFF	OFF	OFF	OFF	OFF	OFF	OFF
SWITCH 2	OFF	ON	OFF	ON	OFF	ON	OFF	ON	OFF
SWITCH 3	OFF	OFF	ON	ON	OFF	OFF	ON	ON	OFF
SWITCH 4	OFF	OFF	OFF	ON	ON	ON	ON	ON	ON
SWITCH 5	OFF	OFF	OFF	OFF	OFF	OFF	OFF	OFF	OFF
Max (rpm)	1500	1400	1350	1300	1200	1200	1200	1100	1500
Min (rpm)	1200	1000	1050	1000	900	700	800	800	500

Title CWP0063CEKSY, REKSY
WIRING SCHEMATIC - S/A FAN CONTROLLER

temperzone limited 2009

Drawn JPB Date 02/08/12 Drawing No. 291-000-210 Rev. E

Scale Aprv'd

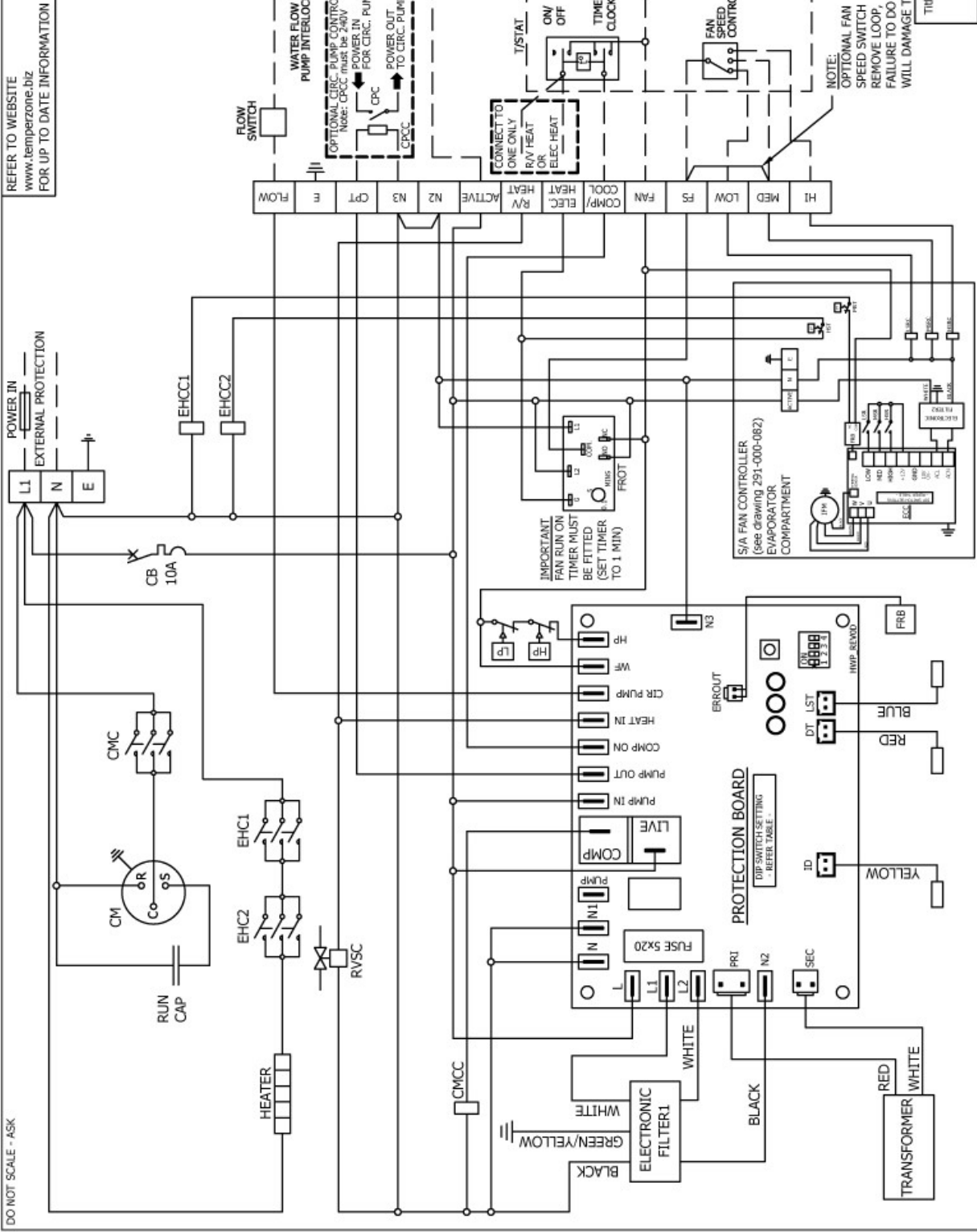
EC-BOARD STANDARD SELECTION - DIP SWITCH 1 (DIP1)

	OFF	ON
3 SPEED FAN (H/MED/LOW)	1	ON
NORMAL FORWARD ACTION	2	REVERSE ACTION
1.25kW MOTOR	3	900W MOTOR
LEAVE IN THIS POSITION	4	DO NOT USE

CLIENT WIRING
Interconnections between units by client.
Double insulated multi-core cable.
NOTE: CHECK WIRING BEFORE SWITCHING ON, INCORRECT CONNECTION WILL DAMAGE MOTORS.

ISSUE	MODIFICATION	EC/N	DATE	APRVD
E	HST & MST IN UNIT WAS IN EVAP. ELEC BOX	A2428	25/03/14	JPB
D	TITLE CWP0063CEKSY WAS CWP0065CEKSY	A2408	7/02/14	JPB
C	TITLE CWP0065CEKSY WAS CWP0063CEKSY	A2271	12/04/13	JPB

DO NOT SCALE - ASK




REFER TO WEBSITE
www.temperzone.biz
FOR UP TO DATE INFORMATION

CWPRKSX (R410A)	0083	0096	0109
COMP. RUN AMPS AT RATING - COOLING	A 8.6	10.2	14
COMPRESSOR RUN CAPACITOR	µF 60	80	80
IFM, 1250w 3SP RUN AMPS,	A 1.03	1.18	1.3
TOTAL RUNNING AMPS,	A 9.63	11.38	15.3
HFC (R410A)	kg 1.75	1.65	1.9
CWPREKSY (R410A)	0083	0096	0109
ELECTRIC HEAT	KW 3.0	4.0	4.5
ELECTRIC HEAT	A 12.5	16.7	18.8
TOTAL RUNNING AMPS,	A 13.85	17.88	21

ABBR.	DESCRIPTION
CAP	CAPACITOR
CB	CIRCUIT BREAKER
CM	COMPRESSOR MOTOR
CMC	COMPRESSOR CONTACTOR
CMCC	COMPRESSOR CONTACTOR COIL
CPC	CIRC. PUMP CONTACTOR
CPCC	CIRC. PUMP CONTACTOR COIL
CPT	CIRC. PUMP TERMINAL
ECC	EC MOTOR CONTROLLER
EHC	ELECTRIC HEAT CONTACTOR
EHCC	ELECTRIC HEAT CONTACTOR COIL
FRB	FAULT RELAY BOARD
FROT	FAN RUN ON TIMER
HP	HI PRESS. CONTROL
HSP	HI SPEED FAN RELAY
HSPC	HI SPEED FAN RELAY COIL
HST	AUTO HIGH TEMP SAFETY T*STAT TERM.
IFM	INDOOR FAN MOTOR
LP	LOW PRESS. CONTROL
LSR	LOW SPEED FAN RELAY
LSRC	LOW SPEED FAN RELAY COIL
MSR	MED SPEED FAN RELAY
MSRC	MED SPEED FAN RELAY COIL
MST	MAN. HIGH TEMP SAFETY T*STAT TERM.
RVSC	REVERSING VALVE SOLENOID COIL

Title CWP0083REKSY,CWP0096REKSY,CWP0109REKSY
WIRING SCHEMATIC - PROTECTION BOARD



 temperzone limited
 2009

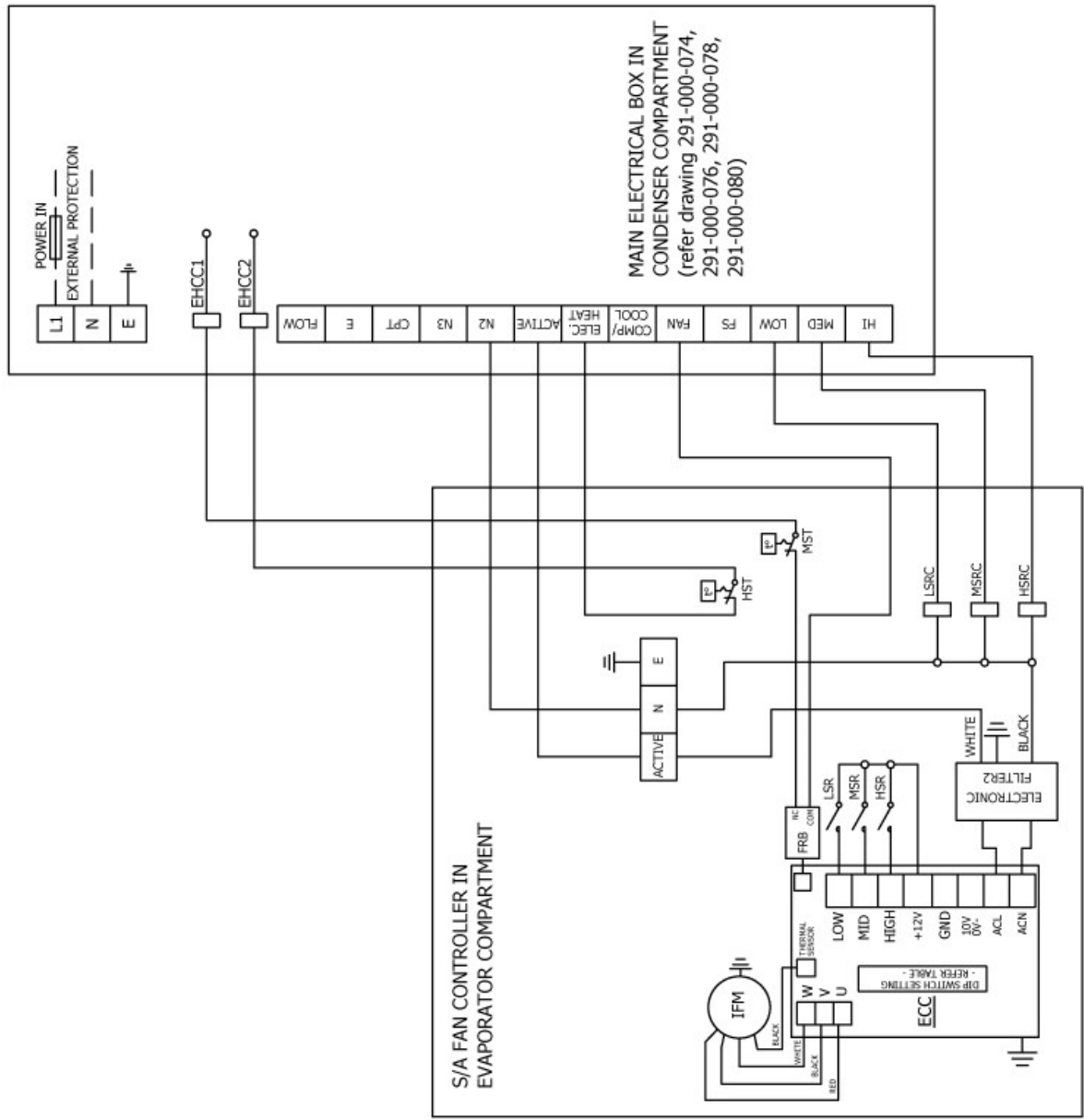
Drawn	JPB	Date	02/08/12
Scale	.	Aprvd	.
Drawing No.	291-000-074		
Rev.	B		

STANDARD DIPSWITCH SETTINGS	
OFF	ON
COOL ONLY	HEAT PUMP
FAULT RELAY ACTIVATED UPON FINAL LOCK OUT.	FAULT RELAY ACTIVATED WITH BACK SYSTEM FAULT
LST ACTIVATED AT -2°C	LST ACTIVATED AT 1°C
SPARE	

CLIENT WIRING
Interconnections between units by client.
Double insulated multi-core cable.
NOTE: CHECK WIRING BEFORE SWITCHING ON, INCORRECT CONNECTION WILL DAMAGE MOTORS.

ISSUE	MODIFICATION	ECIN	DATE	APPRVD
B	T.R.A 13.85, 11.38, 17.88 WAS 16.1, 11.3, 18.6	A2236	14/01/13	JPB
A	ORIGINAL		02/08/12	JPB

DO NOT SCALE - ASK



CWP0109 (R410A)	
IFM, 1250W 3SP RUN AMPS.	A 1.3
CWP0096 (R410A)	
IFM, 1250W 3SP RUN AMPS.	A 1.18
CWP0083 (R410A)	
IFM, 1250W 3SP RUN AMPS.	A 1.03

ABBR.	DESCRIPTION
ECC	EC MOTOR CONTROLLER
EHCC	ELECTRIC HEAT CONTACTOR COIL
HSR	HIGH SPEED FAN RELAY
HSRC	HIGH SPEED FAN RELAY COIL
HST	AUTO HIGH TEMP SAFETY T'STAT
IFM	INDOOR FAN MOTOR
LSR	LOW SPEED FAN RELAY
LSRC	LOW SPEED FAN RELAY COIL
MSR	MED. SPEED FAN RELAY
MSRC	MED. SPEED FAN RELAY COIL
MST	MAN. HIGH TEMP SAFETY T'STAT

MAIN ELECTRICAL BOX IN CONDENSER COMPARTMENT
(refer drawing 291-000-074, 291-000-076, 291-000-078, 291-000-080)

REFER TO WEBSITE
www.temperzone.biz
FOR UP TO DATE INFORMATION

EC-BOARD SPEED SELECTION - DIP SWITCH 2 (DIP2)	
SWITCH 1	OFF OFF OFF OFF OFF OFF OFF OFF OFF OFF
SWITCH 2	OFF ON OFF ON OFF ON OFF ON OFF ON OFF ON
SWITCH 3	OFF OFF ON ON OFF OFF ON ON OFF OFF ON ON
SWITCH 4	OFF OFF OFF OFF OFF OFF OFF OFF OFF OFF
SWITCH 5	OFF OFF OFF OFF OFF OFF OFF OFF OFF OFF
Max (rpm)	1500 1400 1350 1300 1200 1200 1100 1500
Min (rpm)	1200 1000 1050 1000 900 700 800 500

Title CWP0083CEKSY, CWP0096CEKSY, CWP0109CEKSY
WIRING SCHEMATIC - S/A FAN CONTROLLER

©temperzone limited 2009

Drawn JPB Date 02/08/12 Drawing No. 291-000-082 Rev. C

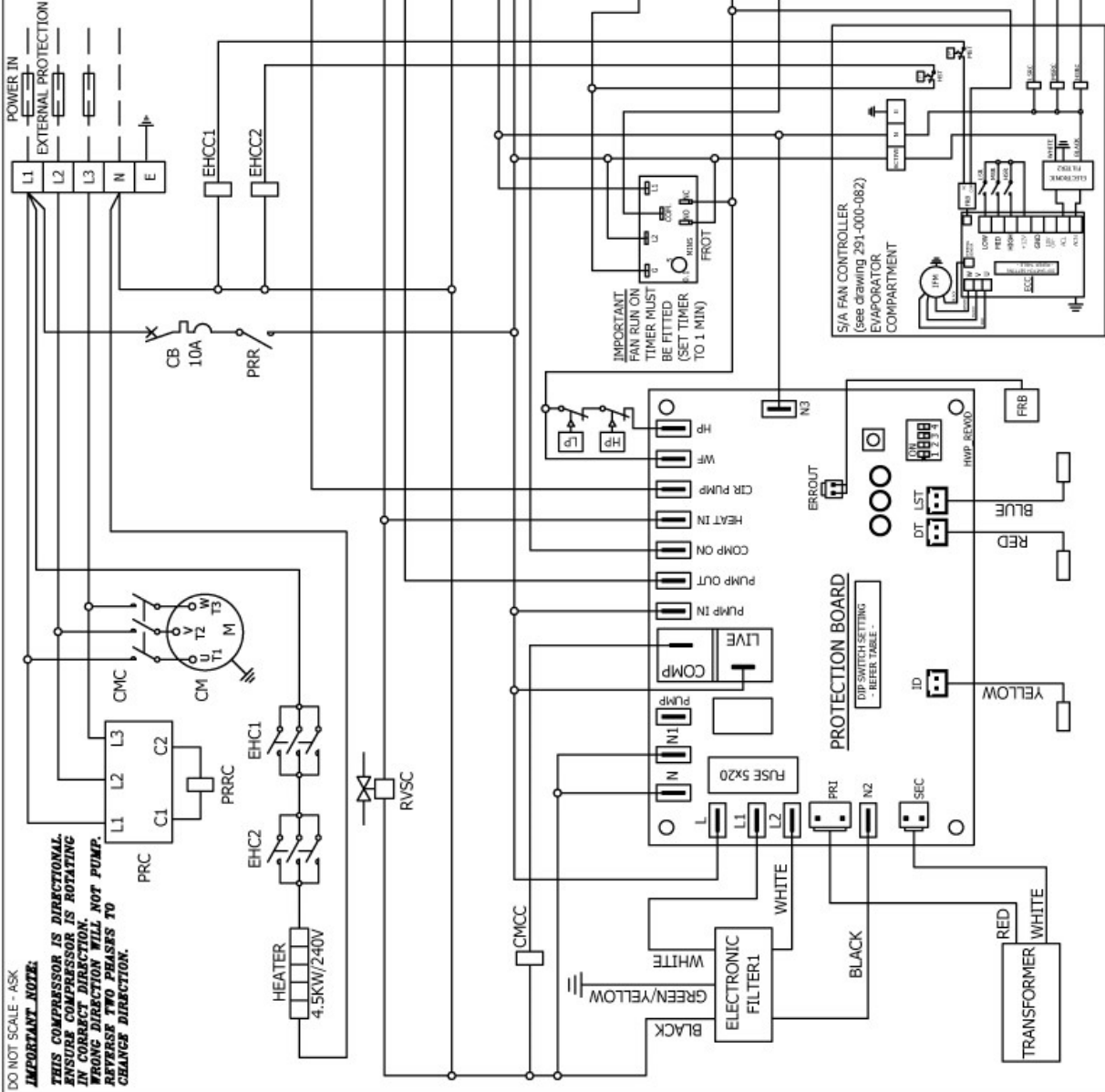
Scale

Aprvd

EC-BOARD STANDARD SELECTION - DIP SWITCH 1 (DIP1)	
OFF	ON
3 SPEED FAN REVERSE/LOW	1
NORMAL FORWARD ACTION	2
1.25kW MOTOR	3
LEAVE IN THIS POSITION	4
0-10V CONTROL	
REVERSE ACTION	
900W MOTOR	
DO NOT USE	

ISSUE	MODIFICATION	EC/N	DATE	APPRD	JPB	CLIENT WIRING
C	LABLE IN MAIN BOX, ELEC. HEAT WAS HEAT	A2271	12/04/13	JPB		Interconnections between units by client.
B	DIP SWITCH 2 1100-800 RPM WAS 1300-1000	A2249	13/02/13	JPB		Double insulated multi-core cable.
A	ORIGINAL		02/08/12	JPB		NOTE:CHECK WIRING BEFORE SWITCHING ON, INCORRECT CONNECTION WILL DAMAGE MOTORS.

DO NOT SCALE - ASK
IMPORTANT NOTE
 THIS COMPRESSOR IS DIRECTIONAL.
 AN INVERTER COMPRESSOR IS ROTATING
 IN CORRECT DIRECTION.
 IF WRONG DIRECTION WILL NOT PUMP.
 REVERSE TWO PHASES TO
 CHANGE DIRECTION.



REFER TO WEBSITE
 www.temperzone.biz
 FOR UP TO DATE INFORMATION

CWP0109RKTY (R410A)	
COMP. RUN AMPS AT RATING - COOLING	A/PH 4.5/4.5/4.4
IFM, 1250w 3SP RUN AMPS.	A 1.3
TOTAL RUNNING AMPS.	A/PH 5.8/4.5/4.4
HFC (R410A)	kg 1.9
CWP0109REKTY (R410A)	
ELECTRIC HEAT	KW 4.5
ELECTRIC HEAT	A 18.8
TOTAL RUNNING AMPS.	LINE 1 Amps 20.1

ABBR.	DESCRIPTION
CB	CIRCUIT BREAKER
CM	COMPRESSOR MOTOR
CMC	COMPRESSOR CONTACTOR
CMCC	COMPRESSOR CONTACTOR COIL
CPC	CIRC. PUMP CONTACTOR
CPCC	CIRC. PUMP CONTACTOR COIL
CPT	CIRC. PUMP TERMINAL
ECC	EC MOTOR CONTROLLER
EHC	ELECTRIC HEAT CONTACTOR
EHCC	ELECTRIC HEAT CONTACTOR COIL
FRB	FAULT RELAY BOARD
FROT	FAN RUN ON TIMER
HP	HI PRESS. CONTROL
HSR	HI SPEED FAN RELAY
HSRC	HI SPEED FAN RELAY COIL
HST	AUTO HIGH TEMP SAFETY T'STAT TERM.
IFM	INDOOR FAN MOTOR
LP	LOW PRESS. CONTROL
LSR	LOW SPEED FAN RELAY
LSRC	LOW SPEED FAN RELAY COIL
MSR	MED SPEED FAN RELAY
MSRC	MED SPEED FAN RELAY COIL
MST	MAN. HIGH TEMP SAFETY T'STAT TERM.
PRC	PHASE ROTATION RELAY
PRR	PHASE ROTATION RELAY COIL
RVSC	REVERSING VALVE SOLENOID COIL

NOTE:
 OPTIONAL FAN
 SPEED SWITCH
 REMOVE LOOP.
 FAILURE TO DO SO
 WILL DAMAGE THE MOTOR

Title
 CWP0109REKTY
 WIRING SCHEMATIC - PROTECTION BOARD

©temperzone limited 2009

Rev. B
 Drawing No. 291-000-078
 Date 02/08/12
 Drawn JPB
 Aprvd .
 Scale .

STANDARD DIPSWITCH SETTINGS	
OFF	ON
1	HEAT PUMP
2	FAULT RELAY ACTIVATED UPON FINAL LOCK OUT.
3	LIST ACTIVATED AT -2°C
4	SPARE

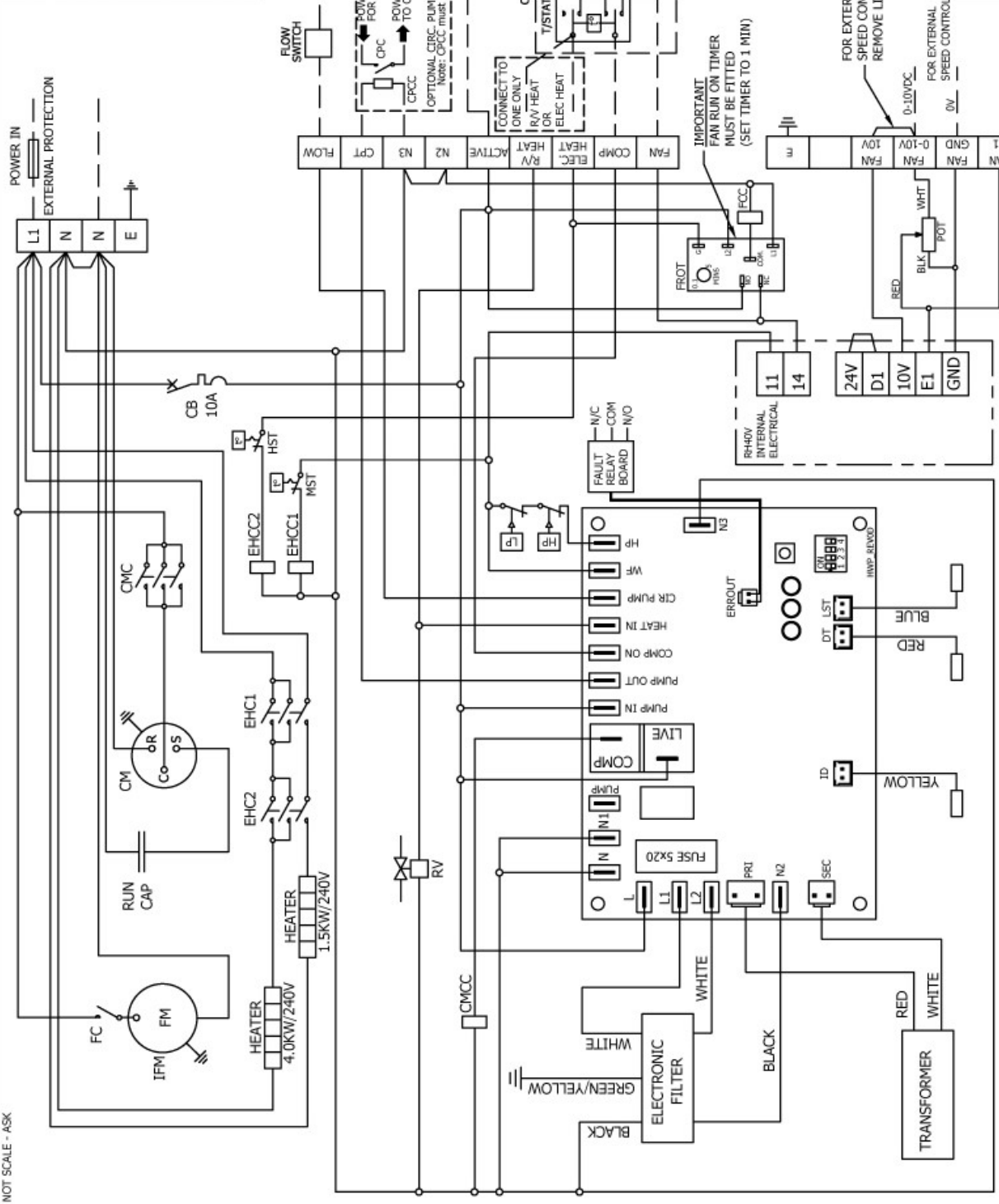
CLIENT WIRING
 Interconnections between units by client.
 Double insulated multi-core cable.
 NOTE: CHECK WIRING BEFORE SWITCHING ON, INCORRECT CONNECTION WILL DAMAGE MOTORS.

B	TOTAL RUNNING AMPS 5.6, 20.1 WAS 5.5, 21	A2236	14/01/13	JPB
A	ORIGINAL		02/08/12	JPB
ISSUE	MODIFICATION	EC/N	DATE	APRVD

DO NOT SCALE - ASK

CWP0132REKSY (R410A)			
COMP. ZP50 RUN AMPS AT RATING - COOLING	A	14.0	
COMPRESSOR RUN CAPACITOR	µF	80	
COMPRESSOR RUNNING CAPACITOR	µF	189/227	
IFM, RH40V RUNNING AMPS.	A	1.65	
TOTAL RUNNING AMPS.	A	15.65	
HFC (R410A)	kg	2.4	
CWP0132REKSY (R410A)			
ELECTRIC HEAT	KW	5.5	
ELECTRIC HEAT	A	23.0	
TOTAL RUNNING AMPS.	A	24.65	

REFER TO WEBSITE
www.temperzone.biz
FOR UP TO DATE INFORMATION



ABBR.	DESCRIPTION
CAP	CAPACITOR
CB	CIRCUIT BREAKER
CM	COMPRESSOR MOTOR
CMC	COMPRESSOR CONTACTOR
CMCC	COMPRESSOR CONTACTOR COIL
CPC	CIRC. PUMP CONTACTOR
CPCC	CIRC. PUMP CONTACTOR COIL
CPT	CIRC. PUMP TERMINAL
EHC	ELECTRIC HEAT CONTACTOR
EHCC	ELECTRIC HEAT CONTACTOR COIL
FCC	FAN CONTACTOR COIL
FLA	FULL LOAD AMPERE
FM	FAN MOTOR
FRB	FAULT RELAY BOARD
FROT	FAN RUN ON TIMER
HP	HI PRESS. CONTROL
HST	AUTO HIGH TEMP SAFETY T'STAT
IFM	INDOOR FAN MOTOR
LP	LOW PRESS. CONTROL
MST	MAN. HIGH TEMP SAFETY T'STAT
POT	POTENTIOMETER
R	REVERSE CYCLE
RV	REVERSING VALVE

Title CWP0132REKSY
WIRING SCHEMATIC - PROTECTION BOARD

©temperzone limited 2009

Rev. Drawing No. 30/01/13 291-000-279
Date 30/01/13
A

STANDARD DIPSWITCH SETTINGS	OFF	ON
1	COOL ONLY	HEAT PUMP
2	FAULT RELAY ACTIVATED UPON FAN LOCKOUT.	FAULT RELAY ACTIVATED WITH SMOKE/FLAME DETECT
3	LST ACTIVATED AT 2°C	LST ACTIVATED AT 1°C
4	SPARE	

CLIENT WIRING
Interconnections between units by client.
Double insulated multi-core cable.
NOTE: CHECK WIRING BEFORE SWITCHING ON, INCORRECT CONNECTION WILL DAMAGE MOTORS.

ISSUE	MODIFICATION	EC/N	DATE	APRVD	FILE
A	ORIGINAL		30/01/13		

DO NOT SCALE - ASK

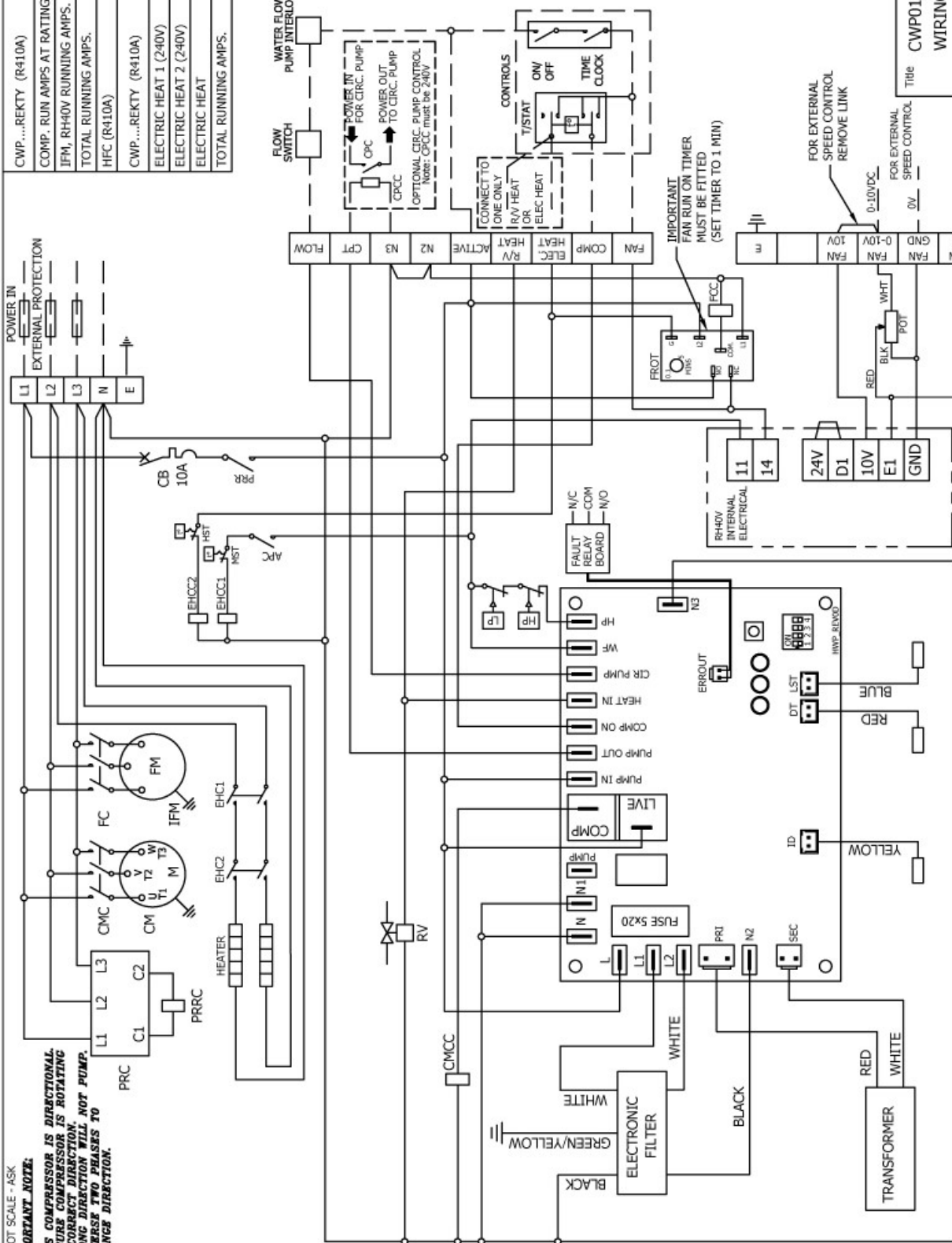
IMPORTANT NOTE:

THIS COMPRESSOR IS DIRECTIONAL. ENSURE COMPRESSOR IS ROTATING IN CORRECT DIRECTION. WRONG DIRECTION WILL NOT PUMP. REVERSE TWO PHASES TO CHANGE DIRECTION.

CWP...REKTY (R410A)	0132	0178
COMP. RUN AMPS AT RATING - COOLING	A/PH 5.2/4.9/4.9	7.3/7.1/7.1
IFM, RH40V RUNNING AMPS.	A 0.76/0.76/0.76	0.9/0.9/0.9
TOTAL RUNNING AMPS.	A/PH 5.96/5.66/5.66	8.2/8.0/8.0
HFC (R410A)	kg 2.4	2.9
CWP...REKTY (R410A)	0132	0178
ELECTRIC HEAT 1 (240V)	KW 4.0	3.0
ELECTRIC HEAT 2 (240V)	KW 1.5	3.5
ELECTRIC HEAT	A 0.0/16.7/6.3	0.0/12.5/14.6
TOTAL RUNNING AMPS.	A 0.76/17.46/7.06	0.9/13.4/15.5

REFER TO WEBSITE
www.temperzone.biz
FOR UP TO DATE INFORMATION

ABBR.	DESCRIPTION
APC	AIR PRESSURE CONTROL
CAP	CAPACITOR
CB	CIRCUIT BREAKER
CM	COMPRESSOR MOTOR
CMC	COMPRESSOR CONTACTOR
CMCC	COMPRESSOR CONTACTOR COIL
CPC	CIRC. PUMP CONTACTOR
CPCC	CIRC. PUMP CONTACTOR COIL
CPT	CIRC. PUMP TERMINAL
EHC	ELECTRIC HEAT CONTACTOR
EHCC	ELECTRIC HEAT CONTACTOR COIL
FCC	FAN CONTACTOR COIL
FLA	FULL LOAD AMPERE
FM	FAN MOTOR
FRB	FAULT RELAY BOARD
FROT	FAN RUN ON TIMER
HP	HI PRESS. CONTROL
HST	AUTO HIGH TEMP SAFETY T-STAT
IFM	INDOOR FAN MOTOR
LP	LOW PRESS. CONTROL
MST	MAN. HIGH TEMP SAFETY T-STAT
POT	POTENTIOMETER
PRC	PHASE ROTATION CONTROL
PRR	PHASE ROTATION RELAY
PRRC	PHASE ROTATION RELAY COIL
R	REVERSE CYCLE
RV	REVERSING VALVE



Title
CWP0132REKTY, CWP0178REKTY
WIRING SCHEMATIC - PROTECTION BOARD

temperzone limited 2009

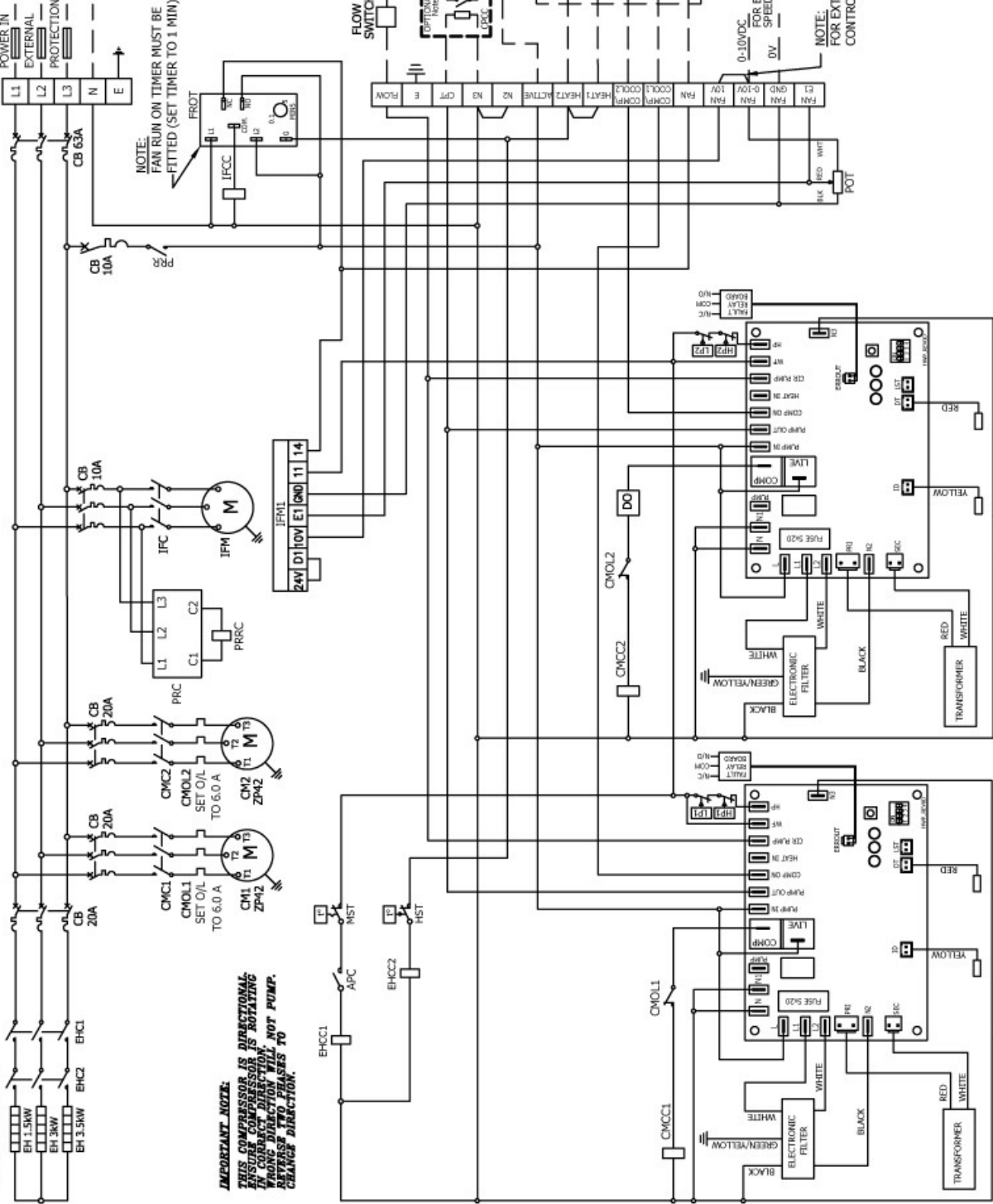
Rev. Drawing No. 291-000-250
Date 30/01/13
A

STANDARD DIPSWITCH SETTINGS	OFF	ON
1	COOL ONLY	HEAT PUMP
2	FAULT RELAY ACTIVATED UPON FAN LOCK OUT.	FAULT RELAY ACTIVATED WITH BACK SYSTEM FAULT
3	LST ACTIVATED AT -2°C	LST ACTIVATED AT -1°C
4	SPARE	

CLIENT WIRING
Interconnections between units by client.
Double insulated multi-core cable.
NOTE: CHECK WIRING BEFORE SWITCHING ON, INCORRECT CONNECTION WILL DAMAGE MOTORS.

ISSUE	MODIFICATION	EC/N	DATE	APRVD	FILE
A	ORIGINAL		30/01/13		

DO NOT SCALE - ASK



IMPORTANT NOTE:
THIS COMPRESSOR IS DIRECTIONAL.
ENSURE COMPRESSOR IS ROTATING
IN CORRECT DIRECTION.
IF NOT, REVERSE TO PHASES TO
CHANGE DIRECTION.

NOTE:
FAN RUN ON TIMER MUST BE
FITTED (SET TIMER TO 1 MIN)

NOTE:
FOR EXTERNAL SPEED
CONTROL REMOVE LINK

CWP0217C (R410A)	
COMP, ZP42, RUN AMPS AT RATING - COOLING	A/PH 4.5/4.5/4.4 x2
INDOOR FAN MOTOR CAPACITY	KW 1.25
INDOOR FAN MOTOR FLA	A/PH 1.2/1.2/1.2
TOTAL RUNNING AMPS.	A/PH 10.2/10.2/10.0
HFC (R410A) SYSTEM1 ZP42	kg 1.9
HFC (R410A) SYSTEM2 ZP42	kg 1.9
CWP0217CE (R410A)	
ELECTRIC HEAT (TOTAL)	KW 8
ELEC HEAT	A/PH 6.3/12.5/14.6
TOTAL RUNNING AMPS, TRA	A/PH 7.5/13.7/15.8

ABBR.	DESCRIPTION
APC	AIR PRESSURE CONTACTS
CB	CIRCUIT BREAKER
CM	COMPRESSOR MOTOR
CMC	COMPRESSOR CONTACTOR
CMCC	COMPRESSOR CONTACTOR COIL
CMOL	COMPRESSOR OVERLOAD
CPC	CIRC. PUMP CONTACTOR
CPCC	CIRC. PUMP CONTACTOR COIL
CPT	CIRC. PUMP TERMINAL
DO	DELAY ON MAKE 30 SEC
EH	ELECTRIC HEAT ELEMENTS
EHC	ELECTRIC HEAT CONTACTOR
EHCC	ELECTRIC HEAT CONTACTOR COIL
FLA	FULL LOAD AMPERE
FRB	FAULT RELAY BOARD
FROT	FAN RUN ON TIMER
HP	HI PRESS. CONTROL
HST	AUTO HIGH TEMP SAFETY THERM.
IFC	INDOOR FAN CONTACTOR
IFCC	INDOOR FAN CONTACTOR COIL
IFM	INDOOR FAN MOTOR
LP	LOW PRESS. CONTROL
MST	MAN. HIGH TEMP SAFETY THERM.
POT	POTENTIOMETER
PRC	PHASE ROTATION CONTROL
PRR	PHASE ROTATION RELAY
PRRC	PHASE ROTATION RELAY COIL

Title
CWP0217CEKTY
WIRING SCHEMATIC - PROTECTION BOARD

temperzone limited 2009

Drawing No. 291-000-396
Date 11/04/13
Drawn JPB
Scale
Rev. B

STANDARD DIPSWITCH SETTINGS	ON	OFF
1	ON	OFF
2	ON	OFF
3	ON	OFF
4	ON	OFF

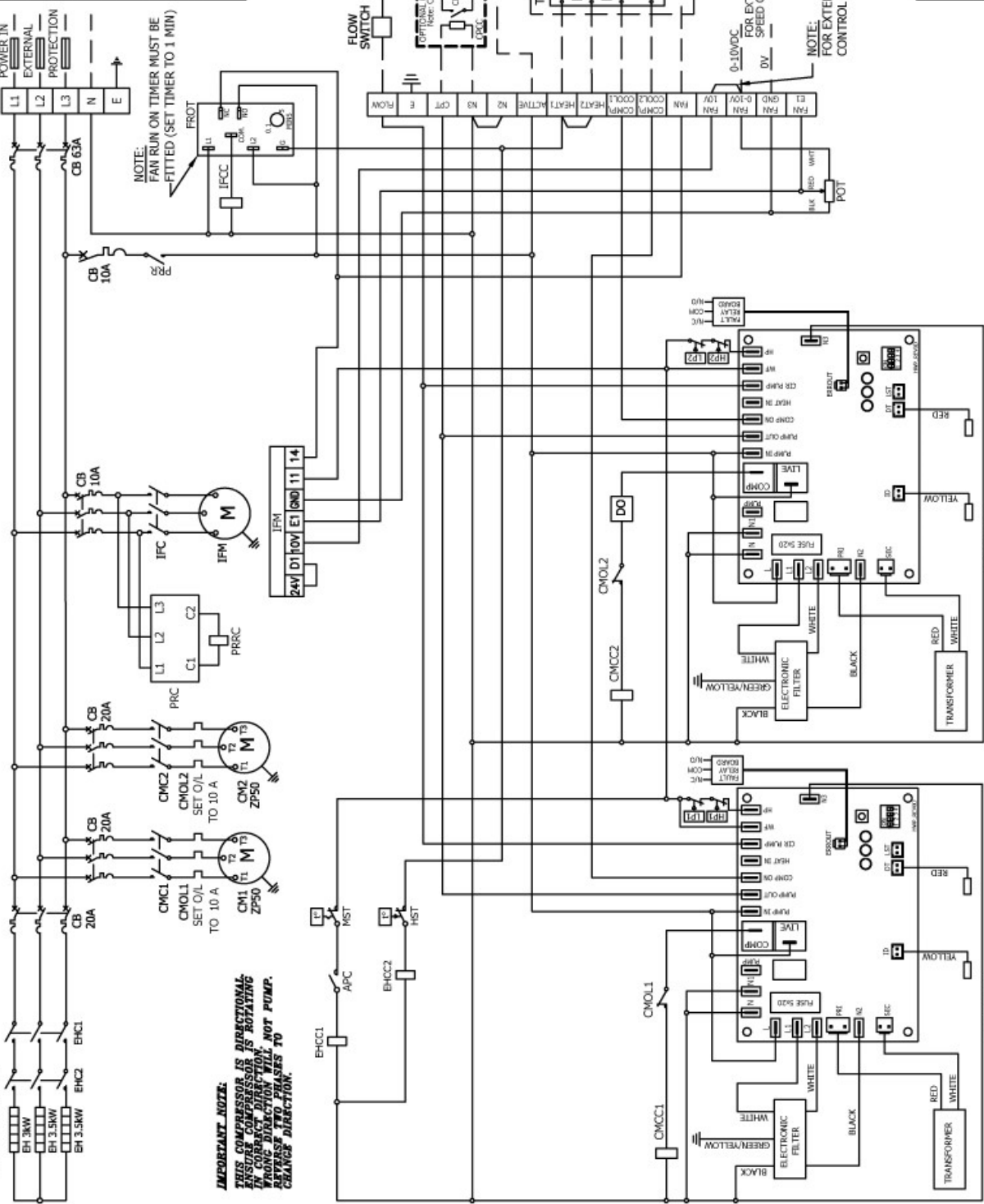
NOTE:
WHEN USING ELECTRIC
HEAT THE T/STAT MUST BE
A "HEAT/COOL" TYPE, NOT
REVERSE CYCLE HEAT
PUMP.

ISSUE	MODIFICATION	EC/N	DATE	APPRD
B	ADD IFC REMOVE JFR1 & JFR2, REWIRE HEATERS		15/01/14	JPB
A	ORIGINAL		11/04/13	JPB

DO NOT SCALE - ASK

CWP0266C (R410A)	
COMP. ZP50 RUN AMPS AT RATING - COOLING	A/PH 5.2/4.9/4.9 x2
INDOOR FAN MOTOR CAPACITY	KW 1.25
INDOOR FAN MOTOR FLA	A/PH 1.6/1.6/1.6
TOTAL RUNNING AMPS.	A/PH 12/11.4/11.4
HFC (R410A) SYSTEM1 ZP50	kg 2.4
HFC (R410A) SYSTEM2 ZP50	kg 2.4
CWP0266CE (R410A)	
ELECTRIC HEAT (TOTAL)	KW 10
ELEC HEAT	A/PH 12.5/14.6/14.6
TOTAL RUNNING AMPS, TRA	A/PH 14.1/16.2/16.2

ABBR.	DESCRIPTION
APC	AIR PRESSURE CONTACTS
CB	CIRCUIT BREAKER
CM	COMPRESSOR MOTOR
CMC	COMPRESSOR CONTACTOR
CMCC	COMPRESSOR CONTACTOR COIL
CMOL	COMPRESSOR OVERLOAD
CPC	CIRC. PUMP CONTACTOR
CPCC	CIRC. PUMP CONTACTOR COIL
CPT	CIRC. PUMP TERMINAL
DO	DELAY ON MAKE 30 SEC
EH	ELECTRIC HEAT ELEMENTS
EHC	ELECTRIC HEAT CONTACTOR
EHCC	ELECTRIC HEAT CONTACTOR COIL
FLA	FULL LOAD AMPERE
FRB	FAULT RELAY BOARD
FROT	FAN RUN ON TIMER
HP	HI PRESS. CONTROL
HST	AUTO HIGH TEMP SAFETY THERM.
IFC	INDOOR FAN CONTACTOR
IFCC	INDOOR FAN CONTACTOR COIL
IFM	INDOOR FAN MOTOR
LP	LOW PRESS. CONTROL
MST	MAN. HIGH TEMP SAFETY THERM.
POT	POTENTIOMETER
PRC	PHASE ROTATION CONTROL
PRR	PHASE ROTATION RELAY
PRRC	PHASE ROTATION RELAY COIL



IMPORTANT NOTE:
THIS COMPRESSOR IS DIRECTIONAL
ENSURE COMPRESSOR IS ROTATING
IN CORRECT DIRECTION. NOT PUMP.
IF CORRECT DIRECTION, NOT PUMP,
REVERSE TWO PHASES TO
CHANGE DIRECTION.

NOTE:
FAN RUN ON TIMER MUST BE
FITTED (SET TIMER TO 1 MIN)

NOTE:
FOR EXTERNAL SPEED
CONTROL REMOVE LINK

NOTE:
FOR EXTERNAL SPEED
CONTROL REMOVE LINK

Title
CWP0266CEKTY
WIRING SCHEMATIC - PROTECTION BOARD



© temperzone limited
2009

Drawn	JPB	Date	11/04/13	Drawing No.	291-000-393	Rev.	B
Scale		Aprvd					

STANDARD DIPSWITCH SETTINGS

OFF	OFF	ON	ON
COOL ONLY	1	HEAT PUMP	
FAULT RELAY ACTIVATED UPON FINAL LOCKOUT.	2	FAULT RELAY ACTIVATED WITH EACH SYSTEM FAULT	
LIST ACTIVATED AT -2°C	3	LIST ACTIVATED AT -1°C	
SPARE	4		

CLIENT WIRING

Interconnections between units by client.
Double insulated multi-core cable.
NOTE: CHECK WIRING BEFORE SWITCHING ON, INCORRECT CONNECTION WILL DAMAGE MOTORS.

SYSTEM 1

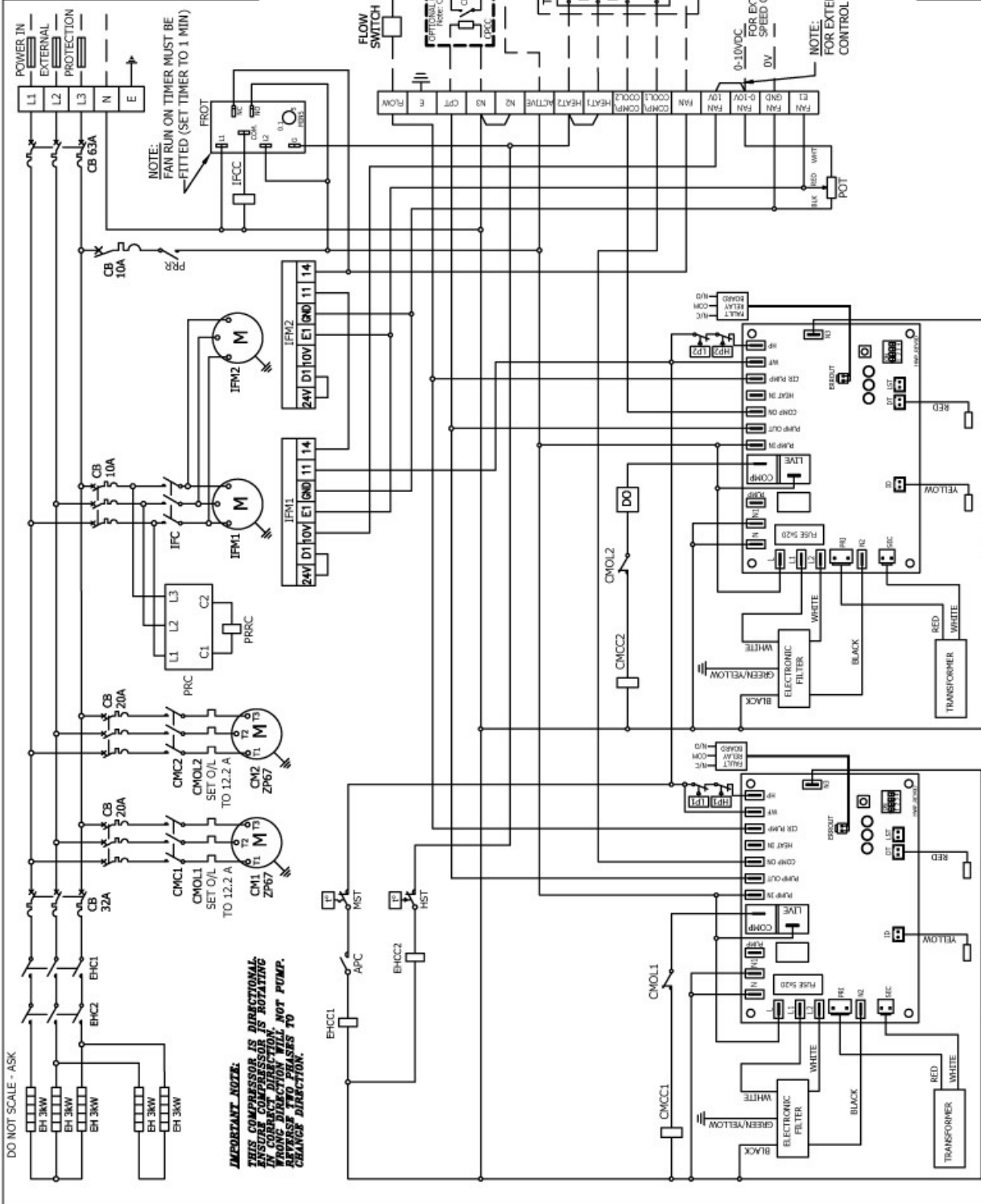
B	ADDED IFC REMOVED IFR1 & IFR2	JPB	15/01/14	APRVD	
A	ORIGINAL	JPB	11/04/13	APRVD	
ISSUE	MODIFICATION	EC/N	DATE	APRVD	

SYSTEM 2

NOTE: WHEN USING ELECTRIC HEAT THE T/STAT MUST BE A "HEAT/COOL" TYPE, NOT REVERSE CYCLE HEAT PUMP.

CWP0374C (R410A)		
COMP. ZP67 RUN AMPS AT RATING - COOLING	A/PH	7.3/7.1/7.1 x2
INDOOR FAN MOTOR CAPACITY	KW	1.25 x 2
INDOOR FAN MOTOR FLA	A/PH	2.1/2.1/2.1
TOTAL RUNNING AMPS.	A/PH	16.7/16.3/16.3
HFC (R410A) SYSTEM1 ZP67	kg	2.9
HFC (R410A) SYSTEM2 ZP67	kg	2.9
CWP0374CE (R410A)		
ELECTRIC HEAT (TOTAL)	KW	15
ELEC HEAT	A/PH	12.5/25/25
TOTAL RUNNING AMPS, TRA	A/PH	14.6/27.1/27.1

ABBR.	DESCRIPTION
APC	AIR PRESSURE CONTACTS
CB	CIRCUIT BREAKER
CM	COMPRESSOR MOTOR
CMC	COMPRESSOR CONTACTOR
CMCC	COMPRESSOR CONTACTOR COIL
CMOL	COMPRESSOR OVERLOAD
CPC	CIRC. PUMP CONTACTOR
CPCC	CIRC. PUMP CONTACTOR COIL
CPT	CIRC. PUMP TERMINAL
DO	DELAY ON MAKE 30 SEC
EH	ELECTRIC HEAT ELEMENTS
EHC	ELECTRIC HEAT CONTACTOR
EHCC	ELECTRIC HEAT CONTACTOR COIL
FLA	FULL LOAD AMPERE
FRB	FAULT RELAY BOARD
FROT	FAN RUN ON TIMER
HP	HI PRESS. CONTROL
HST	AUTO HIGH TEMP SAFETY THERM.
IFC	INDOOR FAN CONTACTOR
IFCC	INDOOR FAN CONTACTOR COIL
IFM	INDOOR FAN MOTOR
LP	LOW PRESS. CONTROL
MST	MAN. HIGH TEMP SAFETY THERM.
POT	POTENTIOMETER
PRC	PHASE ROTATION CONTROL
PRR	PHASE ROTATION RELAY
PRRC	PHASE ROTATION RELAY COIL



IMPORTANT NOTE:
 THIS COMPRESSOR IS DIRECTIONAL.
 ENSURE COMPRESSOR IS ROTATING
 IN CORRECT DIRECTION.
 IF NOT, REVERSE PHASES TO
 CHANGE DIRECTION.

DO NOT SCALE - ASK

Title CWP0374CEKTY
 WIRING SCHEMATIC - PROTECTION BOARD

temperzone
 © temperzone limited 2009

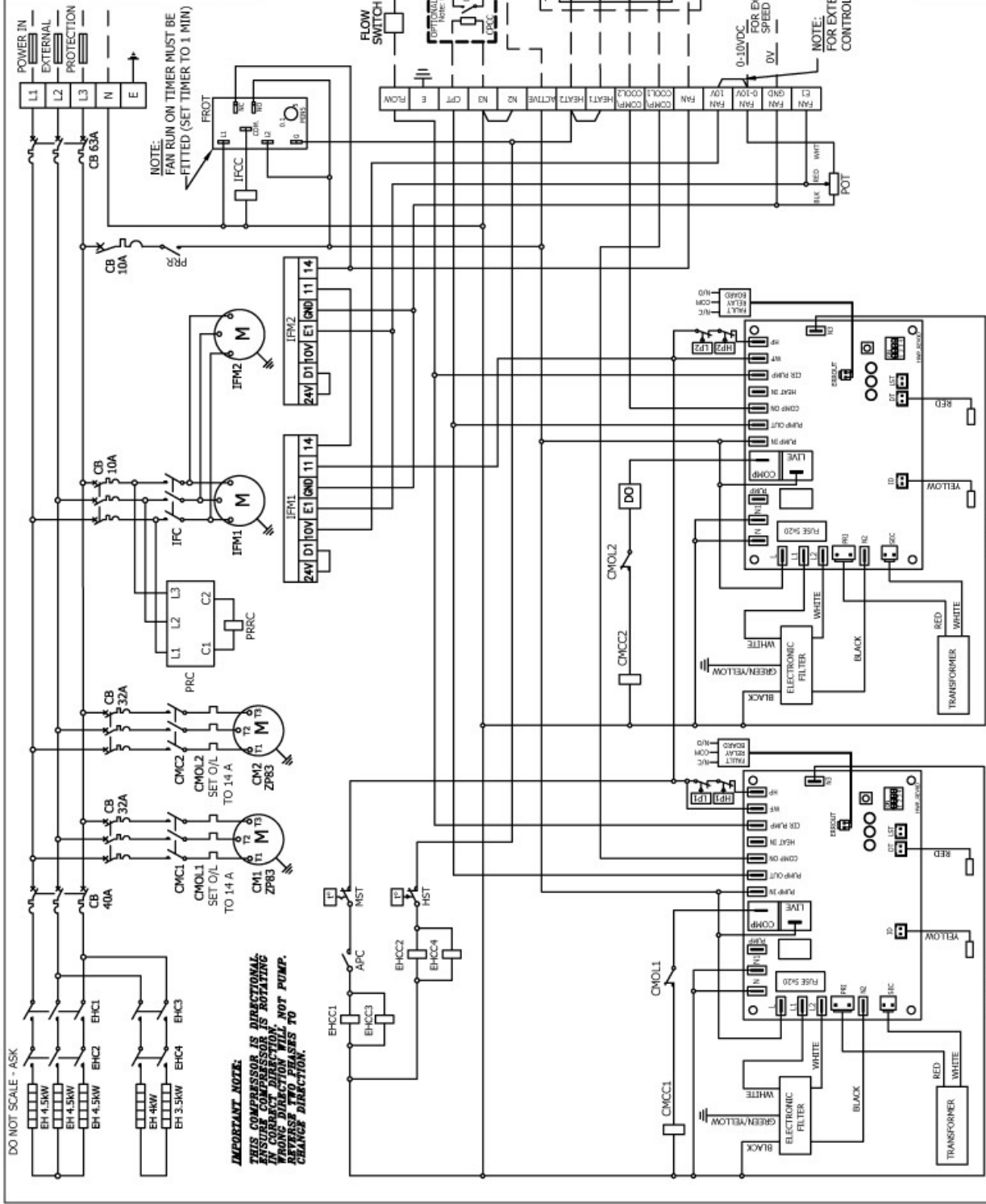
Drawing No. 291-000-390
 Date 11/04/13
 Drawn JPB
 Scale

Rev. B
 Date 11/04/13
 Drawn JPB
 Scale

SYSTEM 1		SYSTEM 2	
B	ADDED IFC REMOVED IFR1 & IFR2	JPB	15/01/14
A	ORIGINAL	JPB	11/04/13
ISSUE	MODIFICATION	EC/N	DATE
CLIENT WIRING		NOTE: WHEN USING ELECTRIC HEAT THE T/STAT MUST BE A "HEAT/COOL" TYPE, NOT REVERSE CYCLE HEAT PUMP.	
STANDARD DIPSWITCH SETTINGS		NOTE: CONNECTION WILL DAMAGE MOTORS.	
OFF	ON	OFF	ON
COOL ONLY	HEAT PUMP	1	HEAT PUMP
FAULT RELAY ACTIVATED UPON FINAL LOCK OUT.	FAULT RELAY ACTIVATED WITH EACH SYSTEM FAULT	2	FAULT RELAY ACTIVATED WITH EACH SYSTEM FAULT
LST ACTIVATED AT 2°C	LST ACTIVATED AT -1°C	3	LST ACTIVATED AT -1°C
SPARE	SPARE	4	SPARE

CWP0447C (R410A)			
COMP. ZP83 RUN AMPS AT RATING - COOLING	A/PH	10.1/9.9/10.0	
INDOOR FAN MOTOR CAPACITY	KW	1.25 x 2	
INDOOR FAN MOTOR FLA	A/PH	2.1/2.1/2.1	
TOTAL RUNNING AMPS.	A/PH	22.3/21.9/22.1	
HFC (R410A) SYSTEM1 ZP83	kg	4.5	
HFC (R410A) SYSTEM2 ZP83	kg	4.5	
CWP0447CE (R410A)			
ELECTRIC HEAT (TOTAL)	KW	21	
ELEC HEAT	A/PH	19/36/34	
TOTAL RUNNING AMPS, TRA	A/PH	21.1/38.1/36.1	

ABBR.	DESCRIPTION
APC	AIR PRESSURE CONTACTS
CB	CIRCUIT BREAKER
CM	COMPRESSOR MOTOR
CMC	COMPRESSOR CONTACTOR
CMCC	COMPRESSOR CONTACTOR COIL
CMOL	COMPRESSOR OVERLOAD
CPC	CIRC. PUMP CONTACTOR
CPCC	CIRC. PUMP CONTACTOR COIL
CPT	CIRC. PUMP TERMINAL
DO	DELAY ON MAKE 30 SEC
EH	ELECTRIC HEAT ELEMENTS
EHC	ELECTRIC HEAT CONTACTOR
EHCC	ELECTRIC HEAT CONTACTOR COIL
FLA	FULL LOAD AMPERE
FRB	FAULT RELAY BOARD
FROT	FAN RUN ON TIMER
HP	HI PRESS. CONTROL
HST	AUTO HIGH TEMP SAFETY THERM.
IFC	INDOOR FAN CONTACTOR
IFCC	INDOOR FAN CONTACTOR COIL
IFM	INDOOR FAN MOTOR
LP	LOW PRESS. CONTROL
MST	MAN. HIGH TEMP SAFETY THERM.
POT	POTENTIOMETER
PRC	PHASE ROTATION CONTROL
PRR	PHASE ROTATION RELAY
PRRC	PHASE ROTATION RELAY COIL



IMPORTANT NOTE:
 THIS COMPRESSOR IS DIRECTIONAL.
 ENSURE COMPRESSOR IS ROTATING
 IN CORRECT DIRECTION. IF NOT,
 REVERSE TWO PHASES TO
 CHANGE DIRECTION.

DO NOT SCALE - ASK

Title CWP0447CEKTY
 WIRING SCHEMATIC - PROTECTION BOARD

© temperzone limited 2009

Drawn	JPB	Date	11/04/13
Scale	.	Aprvd	.
Drawing No.	291-000-387		
Rev.	B		

SYSTEM 1

ISSUE	MODIFICATION
A	ADDED IFC REMOVED IFR1 & IFR2
A	ORIGINAL

SYSTEM 2

EC/N	DATE	APRVD
.	.	JPB

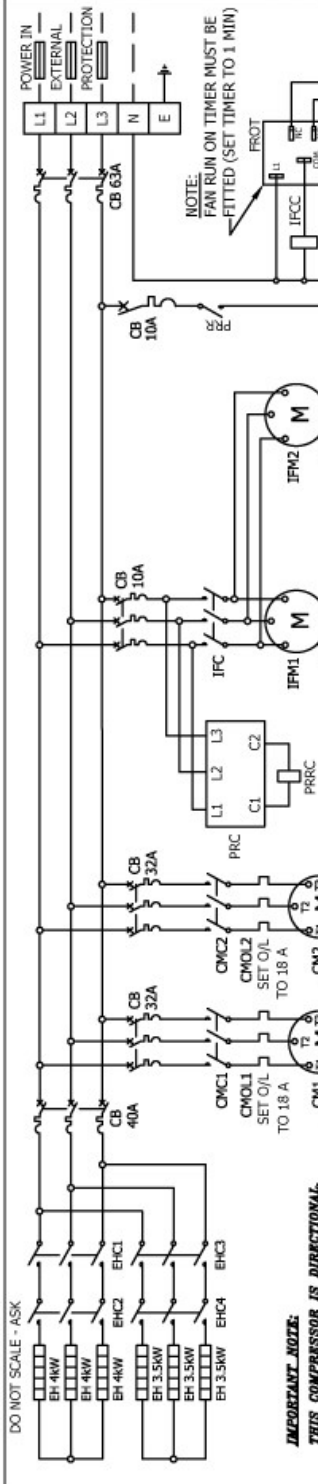
CLIENT WIRING
 Interconnections between units by client.
 Double insulated multi-core cable.
 NOTE: CHECK WIRING BEFORE SWITCHING ON, INCORRECT CONNECTION WILL DAMAGE MOTORS.

STANDARD DIPSWITCH SETTINGS

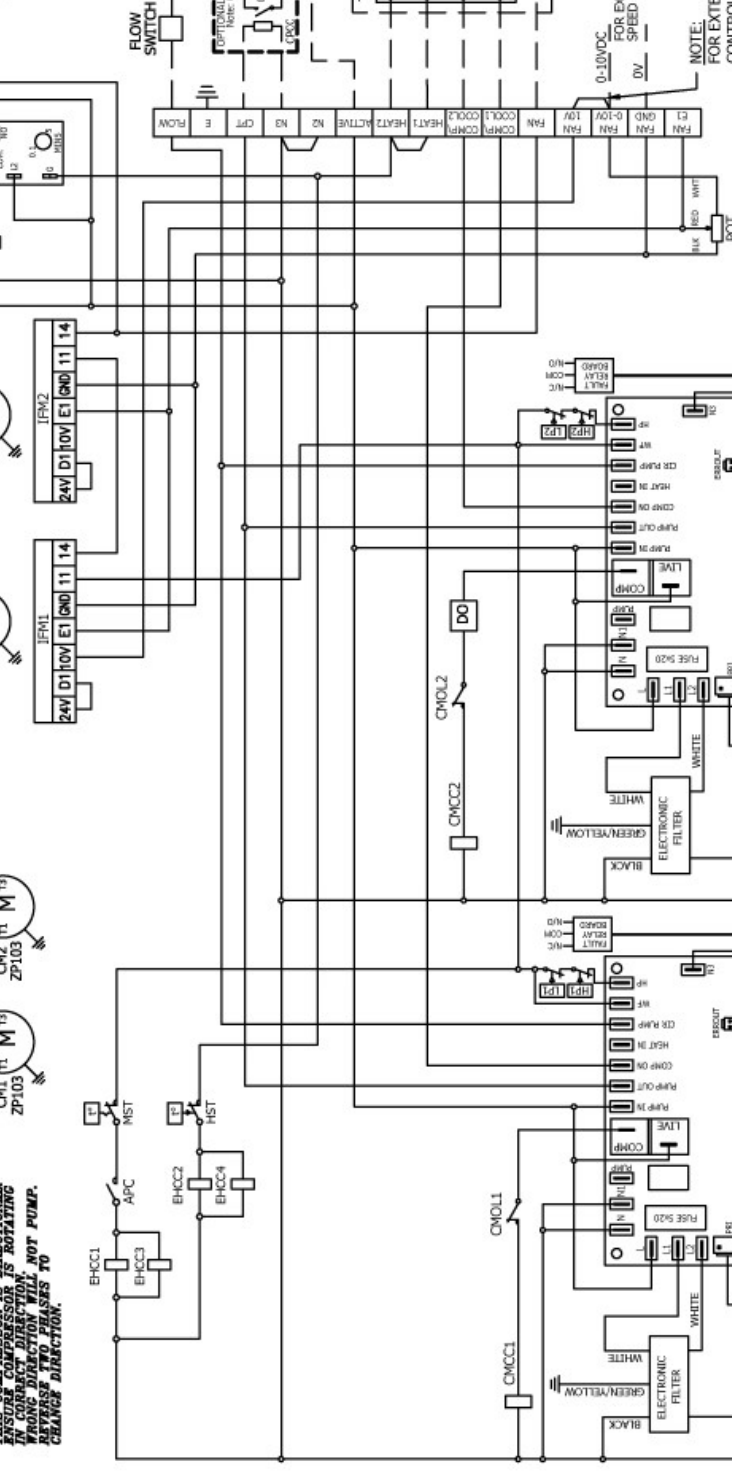
OFF	ON	HEAT PUMP
1	1	HEAT PUMP
2	2	FAULT RELAY ACTIVATED UPON FINAL LOCK OUT.
3	3	LIST ACTIVATED AT -1°C
4	4	SPARE

NOTE:
 WHEN USING ELECTRIC HEAT THE T/STAT MUST BE A "HEAT/COOL" TYPE, NOT REVERSE CYCLE HEAT PUMP.

CWP0568C (R410A)		
COMP. ZP103 RUN AMPS AT RATING - COOLING	A/PH	13.2/12.8/12.7
INDOOR FAN MOTOR CAPACITY	KW	1.4 x 2
INDOOR FAN MOTOR FLA x 2	A/PH	5.4/5.3/5.4
TOTAL RUNNING AMPS.	A/PH	31.8/36.4/30.8
HFC (R410A) SYSTEM1 ZP103	kg	5.25
HFC (R410A) SYSTEM2 ZP103	kg	5.25
CWP0568CE (R410A)		
ELECTRIC HEAT (TOTAL)	KW	22.5
ELEC HEAT	A/PH	31.3/31.3/31.3
TOTAL RUNNING AMPS, TRA	A/PH	36.7/36.6/36.7



ABBR.	DESCRIPTION
APC	AIR PRESSURE CONTACTS
CB	CIRCUIT BREAKER
CM	COMPRESSOR MOTOR
CMC	COMPRESSOR CONTACTOR
CMCC	COMPRESSOR CONTACTOR COIL
CMOL	COMPRESSOR OVERLOAD
CPC	CIRC. PUMP CONTACTOR
CPCC	CIRC. PUMP CONTACTOR COIL
CPT	CIRC. PUMP TERMINAL
DO	DELAY ON MAKE 30 SEC
EH	ELECTRIC HEAT ELEMENTS
EHC	ELECTRIC HEAT CONTACTOR
EHCC	ELECTRIC HEAT CONTACTOR COIL
FLA	FULL LOAD AMPERE
FRB	FAULT RELAY BOARD
FROT	FAN RUN ON TIMER
HP	HI PRESS. CONTROL
HST	AUTO HIGH TEMP SAFETY THERM.
JFC	INDOOR FAN CONTACTOR
IFCC	INDOOR FAN CONTACTOR COIL
IFM	INDOOR FAN MOTOR
LP	LOW PRESS. CONTROL
MST	MAN. HIGH TEMP SAFETY THERM.
POT	POTENTIOMETER
PRT	PHASE ROTATION CONTROL
PRR	PHASE ROTATION RELAY
PRRC	PHASE ROTATION RELAY COIL



Title CWP0568CEKTY	
WIRING SCHEMATIC - PROTECTION BOARD	
© temperzone limited 2009	
Drawn	JPB
Date	11/04/13
Scale	
Aprvd	
Drawing No.	291-000-383
Rev.	A

DO NOT SCALE - ASK

IMPORTANT NOTE:
THIS COMPRESSOR IS DIRECTIONAL.
ENSURE COMPRESSOR IS ROTATING
IN CORRECT DIRECTION. IF NOT,
REVERSE TWO PHASES TO
CHANGE DIRECTION.

NOTE: FAN RUN ON TIMER MUST BE FITTED (SET TIMER TO 1 MIN)

NOTE: FOR EXTERNAL SPEED CONTROL REMOVE LINK

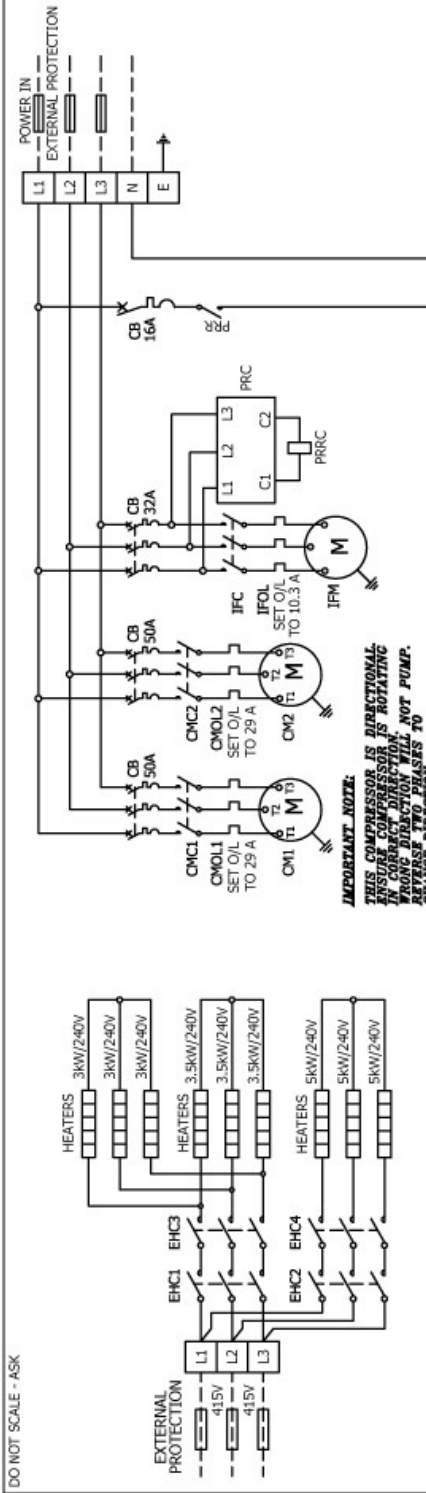
NOTE: WHEN USING ELECTRIC HEAT THE T/STAT MUST BE A "HEAT/COOL" TYPE, NOT REVERSE CYCLE HEAT PUMP.

OFF	ON	ON
COOL ONLY	1	HEAT PUMP
FAULT RELAY ACTIVATED UPON FINAL LOCK OUT.	2	
1ST ACTIVATED AT -2°C	3	
SPARE	4	

OFF	ON	ON
COOL ONLY	1	HEAT PUMP
FAULT RELAY ACTIVATED UPON FINAL LOCK OUT.	2	
1ST ACTIVATED AT -2°C	3	
SPARE	4	

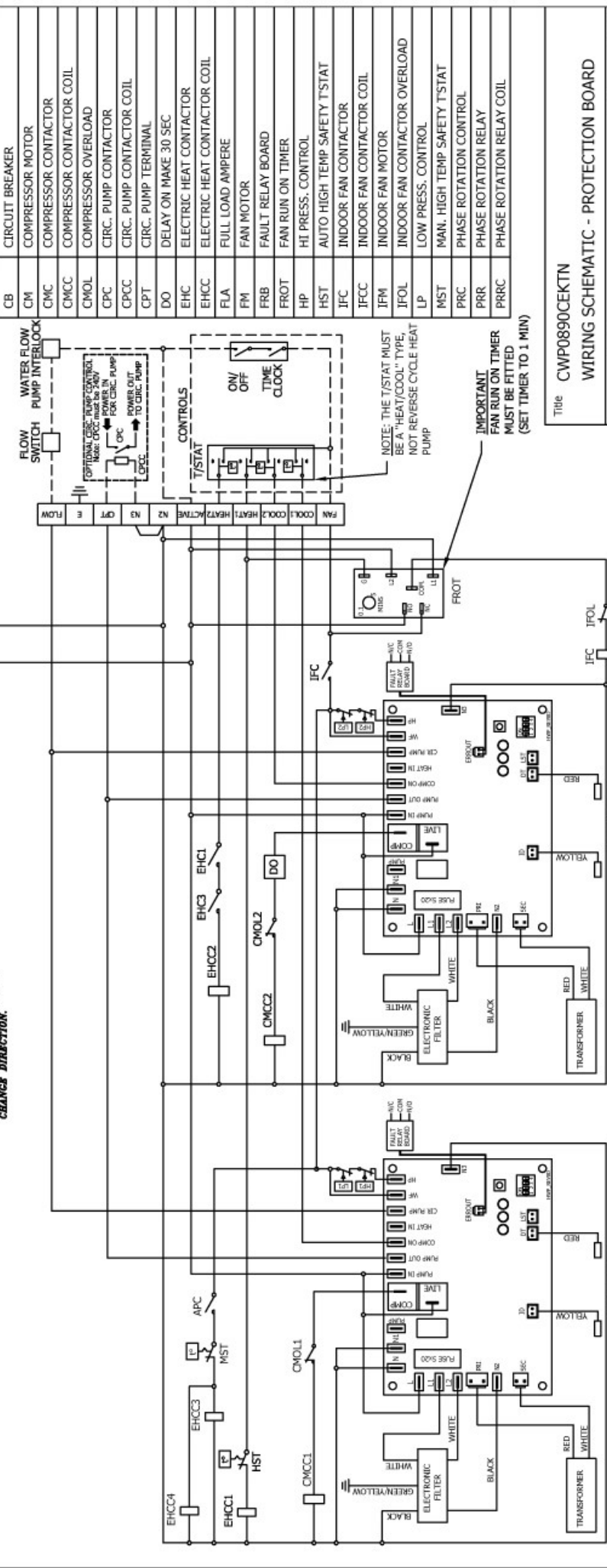
ISSUE	MODIFICATION	EC/N	DATE	APRVD
B	ADD JFC REMOVE IFR1 & IFR2, REWIRE HEATERS	JPB	15/01/14	
A	ORIGINAL	JPB	11/04/13	

DO NOT SCALE - ASK



CWP0890C (R410A)	
COMP. SH161 X 2 RUN AMPS AT RATING - COOLING	A/PH 18.4/18.8/18.7
INDOOR FAN MOTOR CAPACITY	KW 5.5
INDOOR FAN MOTOR FLA	A/PH 10.3/10.3/10.3
TOTAL RUNNING AMPS.	A/PH 45.1/46.0/45.7
HFC (R410A)	kg/SYS 5.7
CWP0890CE (R410A)	
ELECTRIC HEAT	KW 34.5
ELECTRIC HEAT	A/PH 48.0/48.0/48.0
TOTAL RUNNING AMPS.	A/PH 56.3/56.3/56.3

ABBR.	DESCRIPTION
APC	AIR PRESSURE CONTACT
CAP	CAPACITOR
CB	CIRCUIT BREAKER
CM	COMPRESSOR MOTOR
CMC	COMPRESSOR CONTACTOR
CMCC	COMPRESSOR CONTACTOR COIL
CMOL	COMPRESSOR OVERLOAD
CPC	CIRC. PUMP CONTACTOR
CPCC	CIRC. PUMP CONTACTOR COIL
CPT	CIRC. PUMP TERMINAL
DO	DELAY ON MAKE 30 SEC
EHC	ELECTRIC HEAT CONTACTOR
EHCC	ELECTRIC HEAT CONTACTOR COIL
FLA	FULL LOAD AMPERE
FM	FAN MOTOR
FRB	FAULT RELAY BOARD
FROT	FAN RUN ON TIMER
HP	HI PRESS. CONTROL
HST	AUTO HIGH TEMP SAFETY T'STAT
IFC	INDOOR FAN CONTACTOR
IFCC	INDOOR FAN CONTACTOR COIL
IFM	INDOOR FAN MOTOR
IFOL	INDOOR FAN CONTACTOR OVERLOAD
LP	LOW PRESS. CONTROL
MST	MAN. HIGH TEMP SAFETY T'STAT
PRC	PHASE ROTATION CONTROL
PRR	PHASE ROTATION RELAY
PRRC	PHASE ROTATION RELAY COIL



Title CWP0890CEKTN
WIRING SCHEMATIC - PROTECTION BOARD

© temperzone limited 2009

Drawn	UA	Date	27.01.09	Rev.	C
Scale	.	Aprvd	MMG	Drawing No.	571-614-002

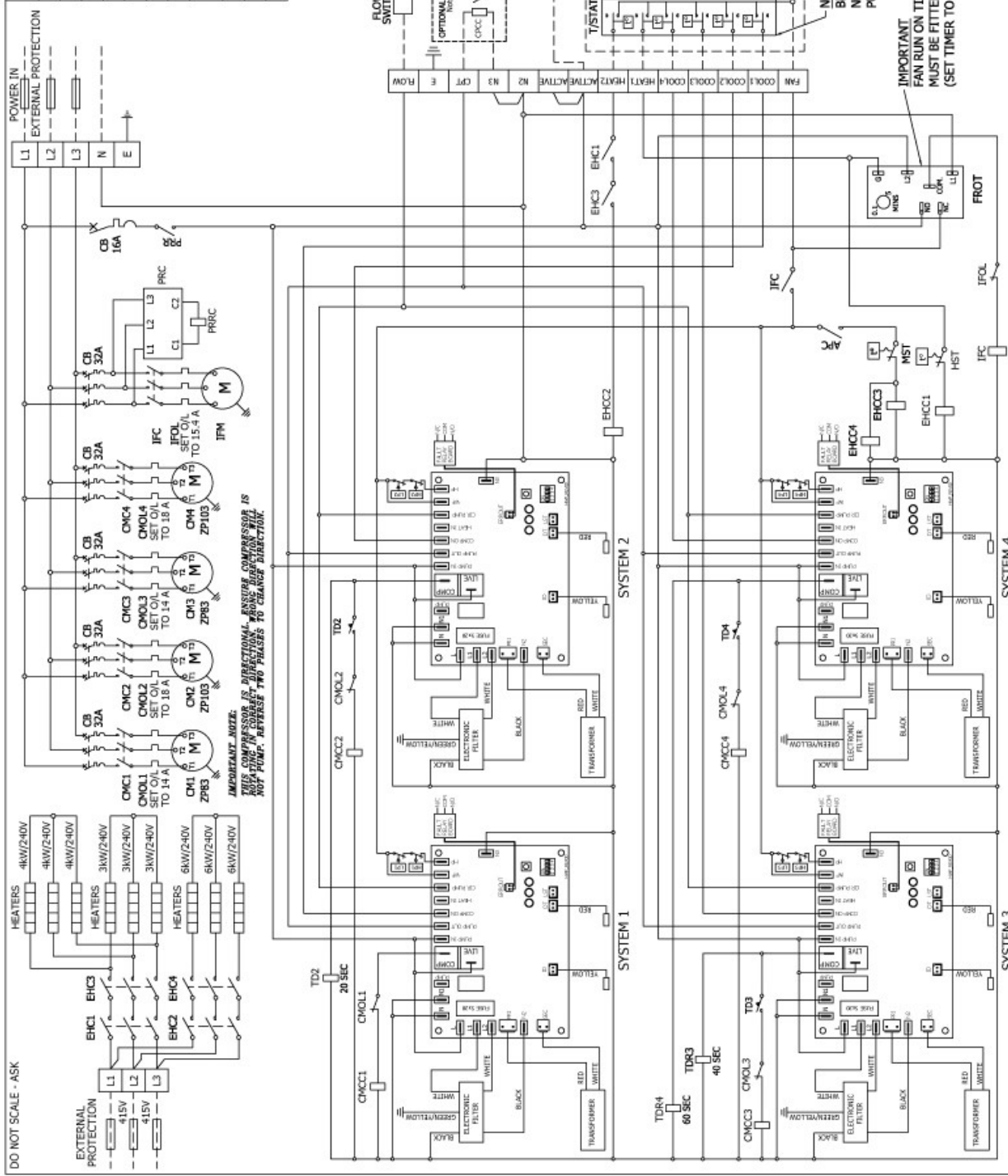
STANDARD DIPSWITCH SETTINGS	
OFF	ON
1	HEAT PUMP
2	FAULT RELAY ACTIVATED WITH EACH SYSTEM FAULT
3	LST ACTIVATED AT -1°C
4	SPARE

CLIENT WIRING	
OFF	ON
1	HEAT PUMP
2	FAULT RELAY ACTIVATED WITH EACH SYSTEM FAULT
3	LST ACTIVATED AT -1°C
4	SPARE

REMOVED THE WIRING OF THE FROT BOARD PYU 29/10/09
 UPDATE PCB REV D, STANDARDISED FORMAT R0082 17/07/09
 ORIGINAL EC/M DATE 27.01.09 APRVD UA
 MODIFICATION EC/M DATE APRVD UA

Interconnections between units by client.
 Double insulated multi-core cable.
 NOTE: CHECK WIRING BEFORE SWITCHING ON, INCORRECT CONNECTION WILL DAMAGE MOTORS.

CWP1030C (R410A)	
COMP. (284) ZP103 X 2 RUN AMPS AT RATING - COOLING	A/PH 13.3/13.5/12.8
COMP. (183) ZP83 X 2 RUN AMPS AT RATING - COOLING	A/PH 11.6/11.4/10.5
INDOOR FAN MOTOR CAPACITY	KW 7.5
INDOOR FAN MOTOR FLA	A/PH 13.8/13.8/13.8
TOTAL RUNNING AMPS.	A/PH 60.3/60.3/57.1
HFC (R410A) SYSTEM 1 & 3	kg/SYS 4.1
HFC (R410A) SYSTEM 2 & 4	kg/SYS 2.7
CWP1030CE (R410A)	
ELECTRIC HEAT	KW 39.0
ELECTRIC HEAT	A/PH 55.0/55.0/55.0
TOTAL RUNNING AMPS.	A/PH 65.5/65.5/65.5



ABBR.	DESCRIPTION
APC	AIR PRESSURE CONTACT
CAP	CAPACITOR
CB	CIRCUIT BREAKER
CM	COMPRESSOR MOTOR
CMC	COMPRESSOR CONTACTOR
CMCC	COMPRESSOR CONTACTOR COIL
CMOL	COMPRESSOR OVERLOAD
CPC	CIRC. PUMP CONTACTOR
CPCC	CIRC. PUMP CONTACTOR COIL
CPT	CIRC. PUMP TERMINAL
DO	DELAY ON MAKE
EHC	ELECTRIC HEAT CONTACTOR
EHC2	ELECTRIC HEAT CONTACTOR COIL
FLA	FULL LOAD AMPERE
FM	FAN MOTOR
FRB	FAULT RELAY BOARD
FROT	FAN RUN ON TIMER
HP	HI PRESS. CONTROL
HST	AUTO HIGH TEMP SAFETY T'STAT
IFC	INDOOR FAN CONTACTOR
IFCC	INDOOR FAN CONTACTOR COIL
IFM	INDOOR FAN MOTOR
IFOL	INDOOR FAN CONTACTOR OVERLOAD
LP	LOW PRESS. CONTROL
MST	MAN. HIGH TEMP SAFETY T'STAT
PRC	PHASE ROTATION CONTROL
PRR	PHASE ROTATION RELAY
PRRC	PHASE ROTATION RELAY COIL

Title CWP1030CEKT
WIRING SCHEMATIC - PROTECTION BOARD

© temperzone limited 2009

Drawn UA Date 17.03.09 Drawing No. 571-694-002 Rev. D

Scale

Aprvd MMG

STANDARD DIPSWITCH SETTINGS	
OFF	ON
1	HEAT PUMP
2	FAULT RELAY ACTIVATED UPON FAN LOCK OUT.
3	LST ACTIVATED AT -3°C
4	SPARE

ISSUE	MODIFICATION	DATE	APRVD	BY
D	CM1 ZP83, CM2 ZP103, CM3 ZP83, CM4 ZP103,	A22/41	28/0/13	JPB
C	REMODIFIED THE WIRING OF THE FROT BOARD	A16/29	29/1/09	PYU
B	UPDATE PCB REV D, STANDARDISED FORMAT	R0082	17/07/09	JPB



temperzone australia pty ltd

Sydney: (02)8822 5700

Brisbane: (07) 33088333

Adelaide: (08) 8340 0607

Tasmania: (03) 63314209

Newcastle: (02) 4962 1155

Perth: (08)9314 3844

Melbourne: (03) 8769 7600

Townsville: (07) 4773 9566

www.temperzone.biz

The Manufacturer reserves the right to change specifications without prior notice.

