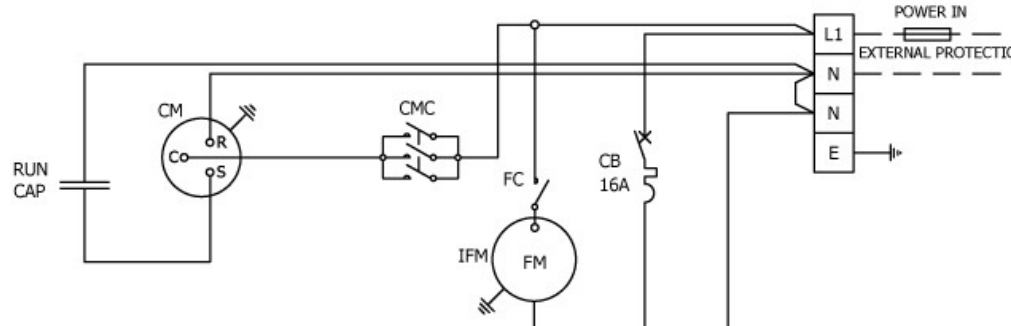


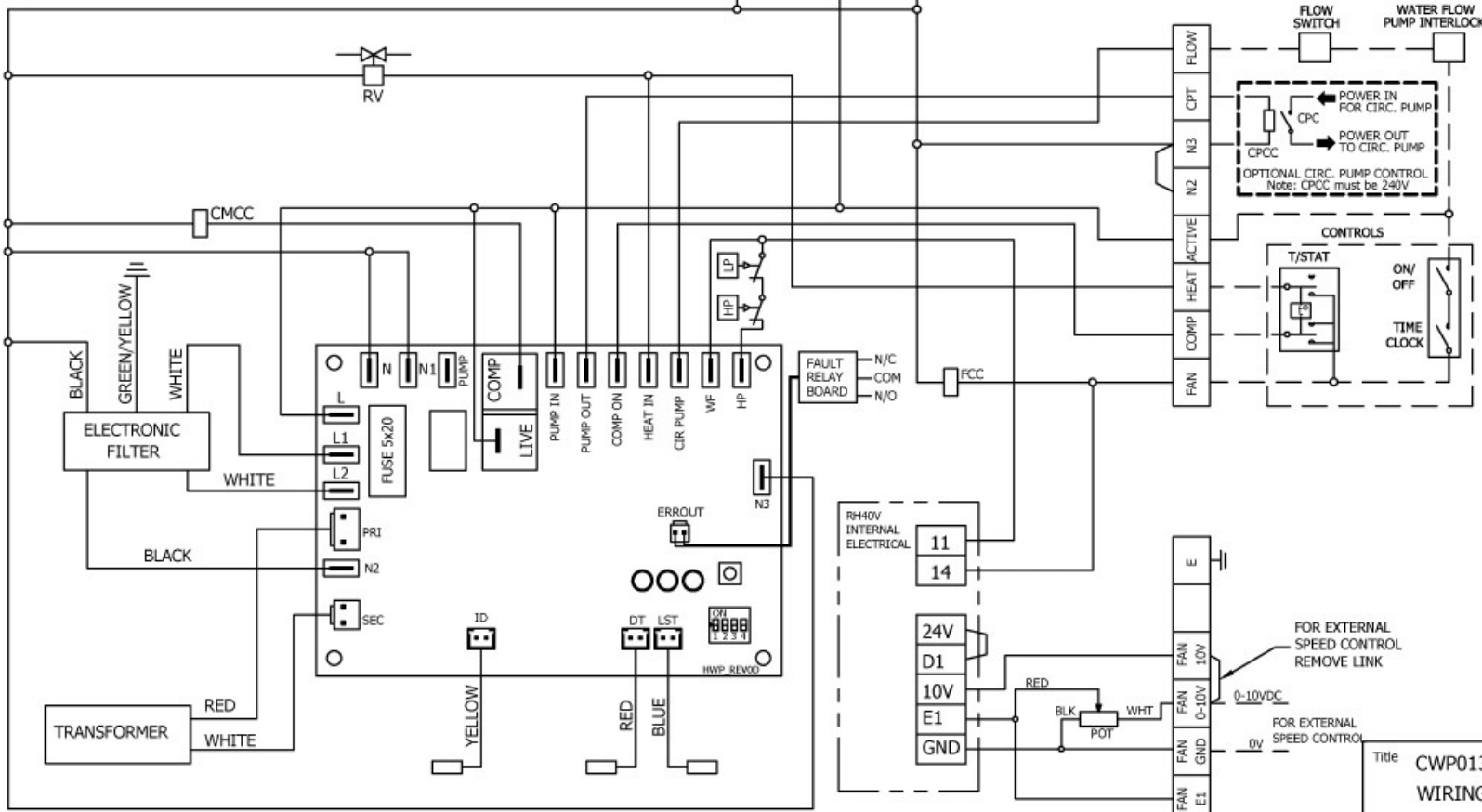
DO NOT SCALE - ASK



CWP0132RKSYS (R410A)			
COMP. ZP50 RUN AMPS AT RATING - COOLING	A	14.0	
COMPRESSOR RUN CAPACITOR	µF	80	
IFM, RH40V RUNNING AMPS.	A	1.65	
TOTAL RUNNING AMPS.	A	15.65	
HFC (R410A)	kg	2.4	

REFER TO WEBSITE
www.temperzone.biz
FOR UP TO DATE INFORMATION

ABBR.	DESCRIPTION
CAP	CAPACITOR
CB	CIRCUIT BREAKER
CM	COMPRESSOR MOTOR
CMC	COMPRESSOR CONTACTOR
CMCC	COMPRESSOR CONTACTOR COIL
CPC	CIRC. PUMP CONTACTOR
CPCC	CIRC. PUMP CONTACTOR COIL
CPT	CIRC. PUMP TERMINAL
FC	FAN CONTACTOR
FLA	FULL LOAD AMPERE
FM	FAN MOTOR
FRB	FAULT RELAY BOARD
HP	HI PRESS. CONTROL
IFM	INDOOR FAN MOTOR
LP	LOW PRESS. CONTROL
POT	POTENTIOMETER
R	REVERSE CYCLE
RV	REVERSING VALVE



Title CWP0132RKSYS
WIRING SCHEMATIC - PROTECTION BOARD



ISSUE	MODIFICATION	EC/N	DATE	APRVD
A	ORIGINAL		31/01/13	FLE

CLIENT WIRING
Interconnections between units by client.
Double insulated multi-core cable.
NOTE: CHECK WIRING BEFORE SWITCHING ON, INCORRECT CONNECTION WILL DAMAGE MOTORS.

STANDARD DIPSWITCH SETTINGS			
	OFF	ON	ON
COOL ONLY	1	OFF	HEAT PUMP
FAULT RELAY ACTIVATED UPON FINAL LOCK OUT.	2	ON	FAULT RELAY ACTIVATED WITH EACH SYSTEM FAULT
LST ACTIVATED AT -2°C	3	ON	LST ACTIVATED AT -1°C
SPARE	4	OFF	

Drawn	FLE	Date	31/01/13	Drawing No.	291-000-276	Rev.	A
Scale	.	Aprvd					

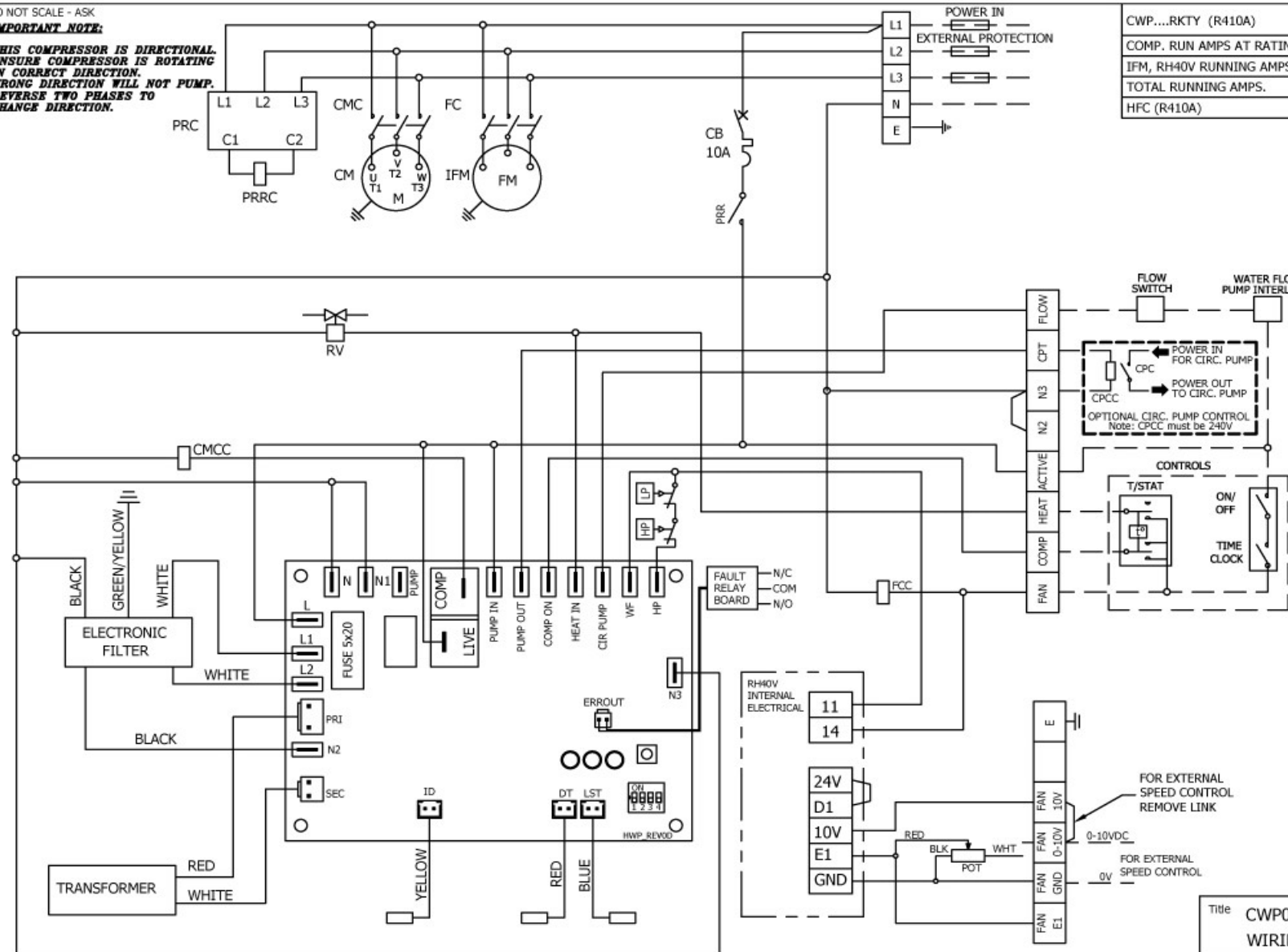
DO NOT SCALE - ASK

IMPORTANT NOTE:

THIS COMPRESSOR IS DIRECTIONAL. ENSURE COMPRESSOR IS ROTATING IN CORRECT DIRECTION. WRONG DIRECTION WILL NOT PUMP. REVERSE TWO PHASES TO CHANGE DIRECTION.

CWP...RKTY (R410A)		0132	0178
COMP. RUN AMPS AT RATING - COOLING	A/PH	5.2/4.9/4.9	7.3/7.1/7.1
IFM, RH40V RUNNING AMPS.	A	0.76/0.76/0.76	0.9/0.9/0.9
TOTAL RUNNING AMPS.	A/PH	5.96/5.66/5.66	8.2/8.0/8.0
HFC (R410A)	kg	2.4	2.9

REFER TO WEBSITE
www.temperzone.biz
FOR UP TO DATE INFORMATION



ABBR.	DESCRIPTION
CAP	CAPACITOR
CB	CIRCUIT BREAKER
CM	COMPRESSOR MOTOR
CMC	COMPRESSOR CONTACTOR
CMCC	COMPRESSOR CONTACTOR COIL
CPC	CIRC. PUMP CONTACTOR
CPCC	CIRC. PUMP CONTACTOR COIL
CPT	CIRC. PUMP TERMINAL
FCC	FAN CONTACTOR COIL
FLA	FULL LOAD AMPERE
FM	FAN MOTOR
FRB	FAULT RELAY BOARD
HP	HI PRESS. CONTROL
IFM	INDOOR FAN MOTOR
LP	LOW PRESS. CONTROL
POT	POTENTIOMETER
PRC	PHASE ROTATION CONTROL
PRR	PHASE ROTATION RELAY
PRRC	PHASE ROTATION RELAY COIL
R	REVERSE CYCLE
RV	REVERSING VALVE

Title CWP0132RKTY, CWP0178RKTY
WIRING SCHEMATIC - PROTECTION BOARD



temperzone limited
2009

ISSUE	MODIFICATION	EC/N	DATE	APRVD
A	ORIGINAL		31/01/13	FLE

CLIENT WIRING
Interconnections between units by client.
Double insulated multi-core cable.
NOTE:CHECK WIRING BEFORE SWITCHING ON, INCORRECT CONNECTION WILL DAMAGE MOTORS.

STANDARD DIPSWITCH SETTINGS			
	OFF	OFF	ON
COOL ONLY	1	ON	HEAT PUMP
FAULT RELAY ACTIVATED UPON FINAL LOCK OUT.	2	ON	FAULT RELAY ACTIVATED WITH EACH SYSTEM FAULT
LST ACTIVATED AT -2°C	3	ON	LST ACTIVATED AT -1°C
SPARE	4	ON	

Drawn	FLE	Date	31/01/13	Drawing No.	291-000-248	Rev.	A
Scale	.	Aprvd					