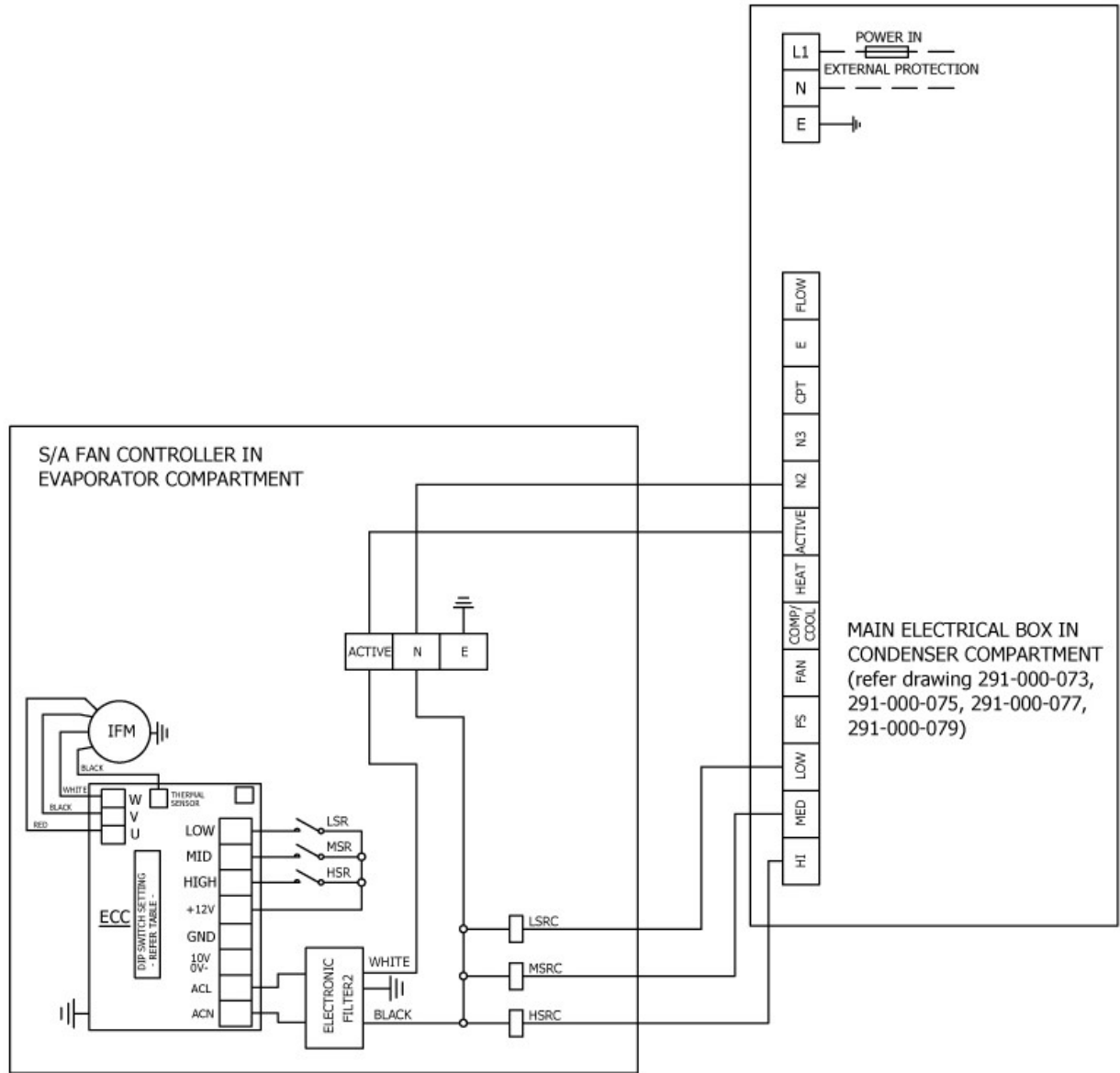


DO NOT SCALE - ASK



CWP0109 (R410A)		
IFM, 1250W 3SP RUN AMPS.	A	1.3
CWP0096 (R410A)		
IFM, 1250W 3SP RUN AMPS.	A	1.18
CWP0083 (R410A)		
IFM, 1250W 3SP RUN AMPS.	A	1.03

ABBR.	DESCRIPTION
ECC	EC MOTOR CONTROLLER
HSR	HIGH SPEED FAN RELAY
HSRC	HIGH SPEED FAN RELAY COIL
IFM	INDOOR FAN MOTOR
LSR	LOW SPEED FAN RELAY
LSRC	LOW SPEED FAN RELAY COIL
MSR	MED. SPEED FAN RELAY
MSRC	MED. SPEED FAN RELAY COIL

REFER TO WEBSITE  
[www.temperzone.biz](http://www.temperzone.biz)  
FOR UP TO DATE INFORMATION

EC-BOARD SPEED SELECTION - DIP SWITCH 2 (DIP2)									
SWITCH 1	OFF	OFF	OFF	OFF	OFF	OFF	OFF	OFF	OFF
SWITCH 2	OFF	ON	OFF	ON	OFF	ON	OFF	ON	ON
SWITCH 3	OFF	ON	ON	ON	OFF	OFF	ON	ON	ON
SWITCH 4	OFF	OFF	OFF	OFF	ON	ON	ON	ON	ON
SWITCH 5	OFF	OFF	OFF	OFF	OFF	OFF	OFF	OFF	OFF
Max (rpm)	1500	1400	1350	1300	1200	1200	1100	1500	
Min (rpm)	1200	1000	1050	1000	900	700	800	500	

Title CWP0083RKS, CWP0096RKS, CWP0109RKS  
WIRING SCHEMATIC - S/A FAN CONTROLLER



ISSUE	MODIFICATION	EC/N	DATE	APRVD
B	DIP SWITCH 2 1100-800 RPM WAS 1300-1000	A2249	13/02/13	JPB
A	ORIGINAL		02/08/12	JPB

**CLIENT WIRING**  
Interconnections between units by client.  
Double insulated multi-core cable.  
**NOTE: CHECK WIRING BEFORE SWITCHING ON, INCORRECT CONNECTION WILL DAMAGE MOTORS.**

EC-BOARD STANDARD SELECTION - DIP SWITCH 1 (DIP1)			
	OFF	ON	ON
3 SPEED FAN HI/MED/LOW	1		0-10V CONTROL
NORMAL FORWARD ACTION	2		REVERSE ACTION
1.25KW MOTOR	3		90W MOTOR
LEAVE IN THIS POSITION	4		DO NOT USE

Drawn JPB	Date 02/08/12	Drawing No. 291-000-081	Rev. B
Scale .	Aprvd .		