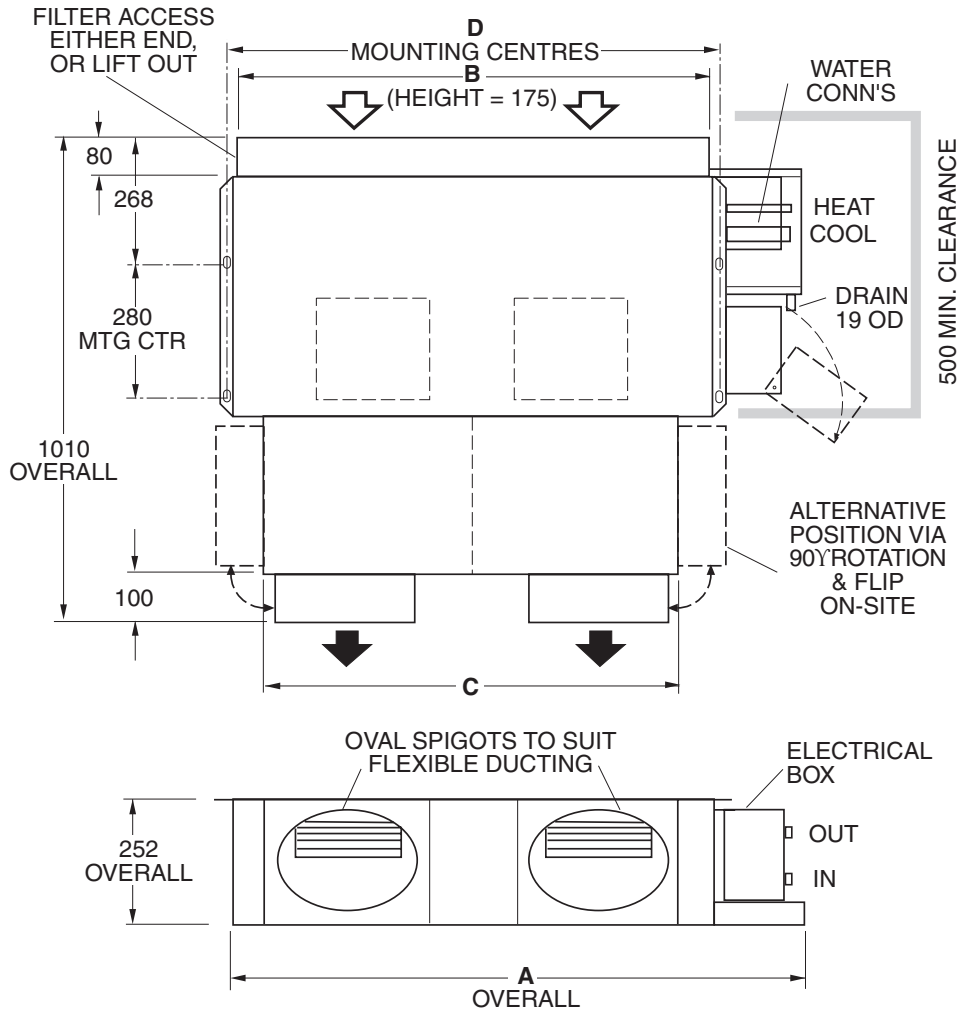


DIMENSIONS (mm) - IXDL 90Y model shown (not to scale)



Note:

1. Allow adequate clearance for the filter (if fitted) to be removed.
2. IXDL have two half length filters except for IXDL 40Y.

Model	A	B	C	D	S/A Spigots	Water Conn's BSP Male		No. Fans / Outlets / Zones
						Cold	Hot	
IXDL 40Y	706	473	332	529	250 dia (x1)	25	13	1
IXDL 90Y	1250	973	820	1030	250 dia (x2)	25	13	2
IXDL 130Y	1605	1373	1252	1430	250 dia (x3)	25	13	3
IXDL 160Y	1954	1722	1630	1780	250 dia (x4)	25	13	4
IXDL 200Y	2355	2122	2037	2178	250 dia (x5)	25	13	5