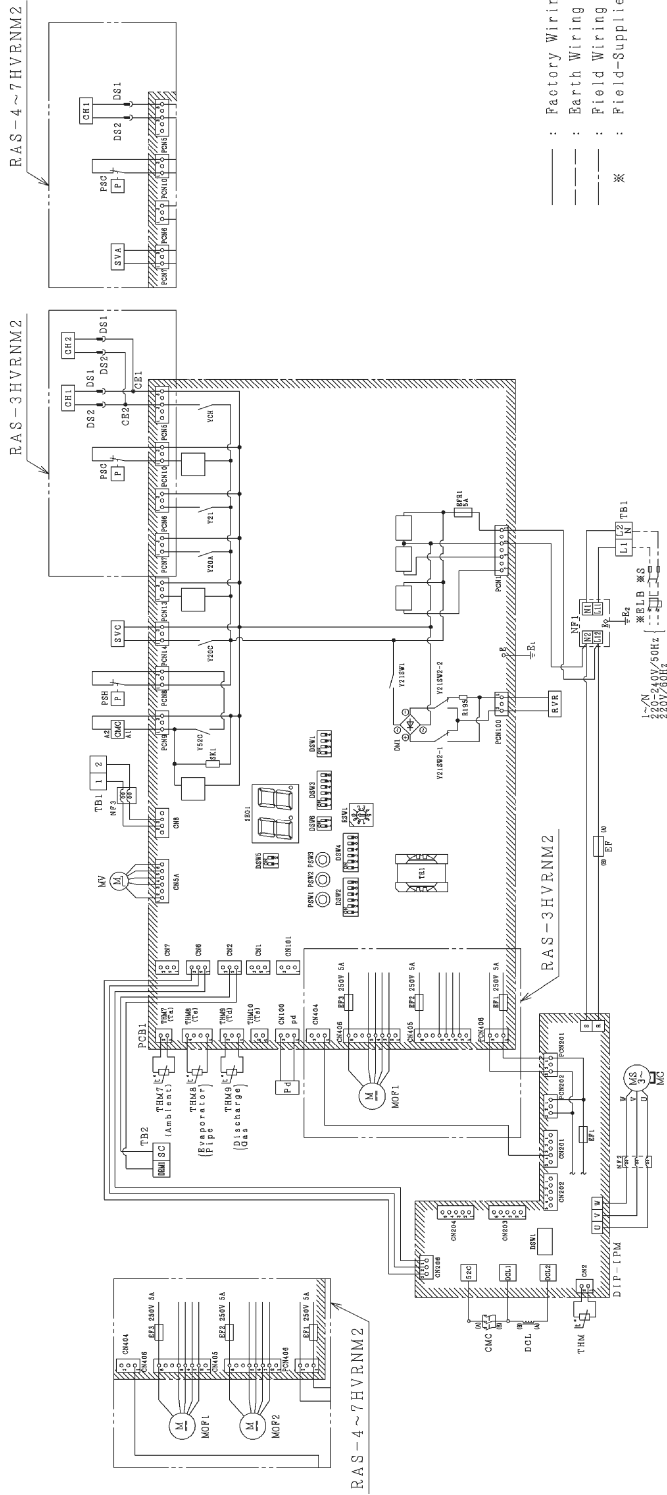


10.6.2 Outdoor Units

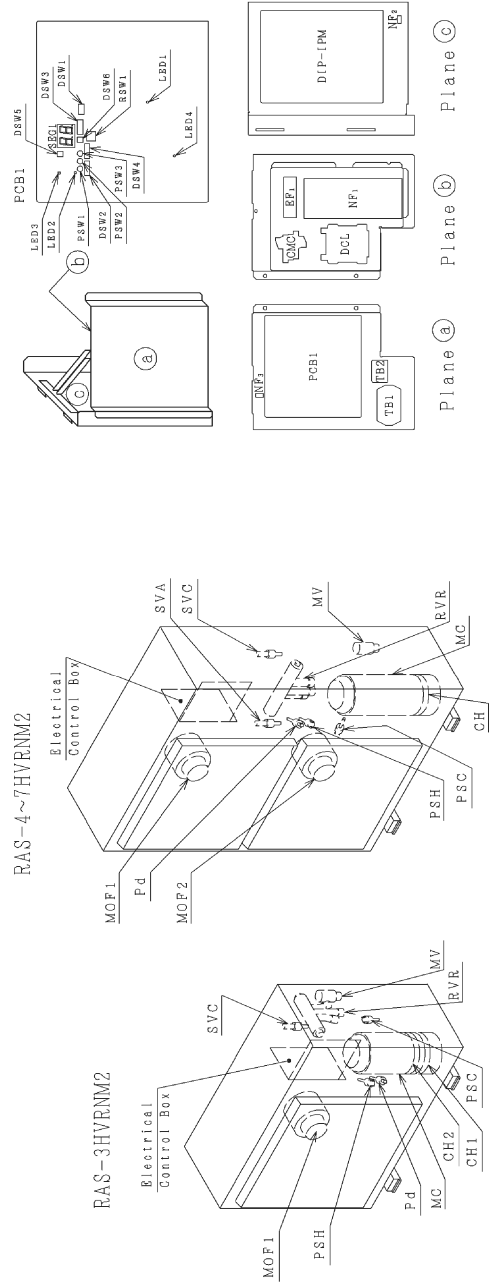
ELECTRICAL WIRING DIAGRAM (FOR MODELS: RAS-3HVRNM2, RAS-4HVRNM2, RAS-5HVRNM2, RAS-6HVRNM2 AND RAS-7HVRNM2)



Mark	Name
CH1, 2	Crankcase Heater
CMC	Contact for Compressor Motor
DCL	Reactor
DIP-IPM	Inverter Module
DS1, 2	I. P Connector
DSW1~6	Dip Switch on PCB1
BP	Fuse
MC	Motor for Compressor
MOF1, 2	Motor for Outdoor Fan
MV	Micro-Computer Control Expansion Valve
NF1~3	Noise Filter
PCB1	Printed Circuit Board
Pd	Sensor for Refrigerant Pressure
PSC	Pressure Switch for Control
PSH	High Pressure Switch for Protection
PSW1~3	Push Switch on PCB1
RSW1	Switch on PCB1
RVR	Reversing Valve Relay
SVA, C	Solenoid Valve
TBI, 2	Terminal Board
THM7~9	Thermistor
THM	Thermistor for Pin Temperature

— : Factory Wiring
 - - - : Barth Wiring
 --- : Field Wiring
 * : Field-Supplied

Electrical Control Box



Note:
 1. All the field wiring and equipment must comply with local codes.