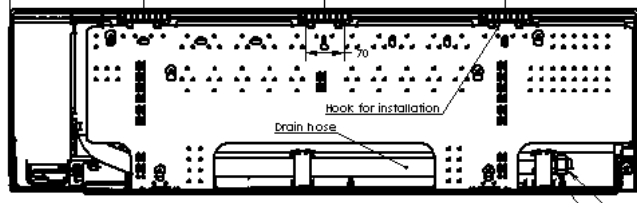
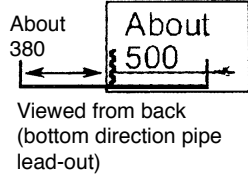
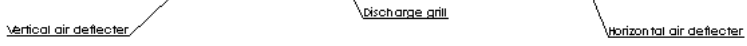
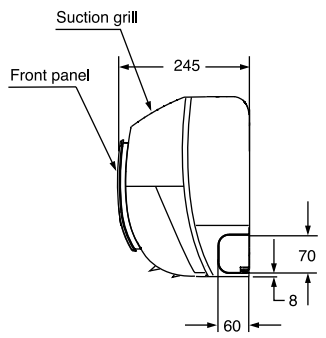
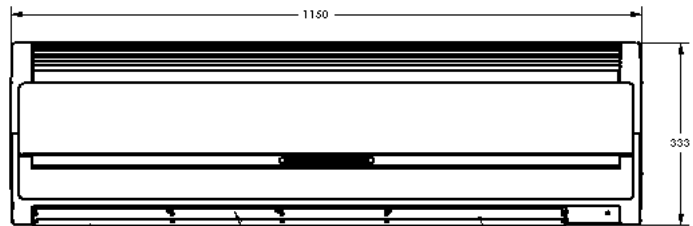
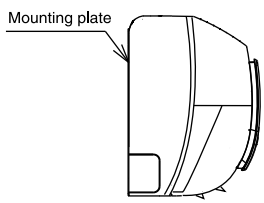
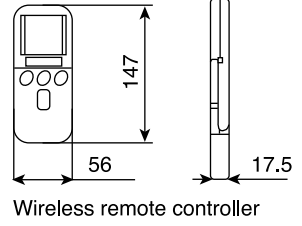


# CONSTRUCTION AND DIMENSIONAL DIAGRAM

MODEL RAS-80YHA3

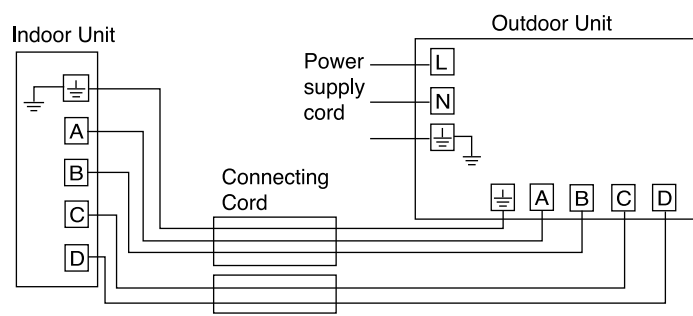
Unit : mm



drain cap connection port  
 ※ When piping is drawn horizontally, exchange the drain hose for the drain cap.  
 Wide pipe (φ15.88)  
 Narrow pipe (φ6.35)

**Note:**

1. Service space (free space needed for servicing) is 200mm on the right, 100mm on the left and 50mm on top.
2. The wide and narrow pipes must be thermally insulated.
3. Piping length is within 30m
4. Height different of the piping between the indoor unit and the outdoor unit should be within 20m.
5. Power supply cord length is about 2m
6. Connecting cable 2.5mm dia. x 3 (AB Line), 1.6mm dia. x 2 (CD Line) is used for the connection.



MODEL RAC-80YHA3

