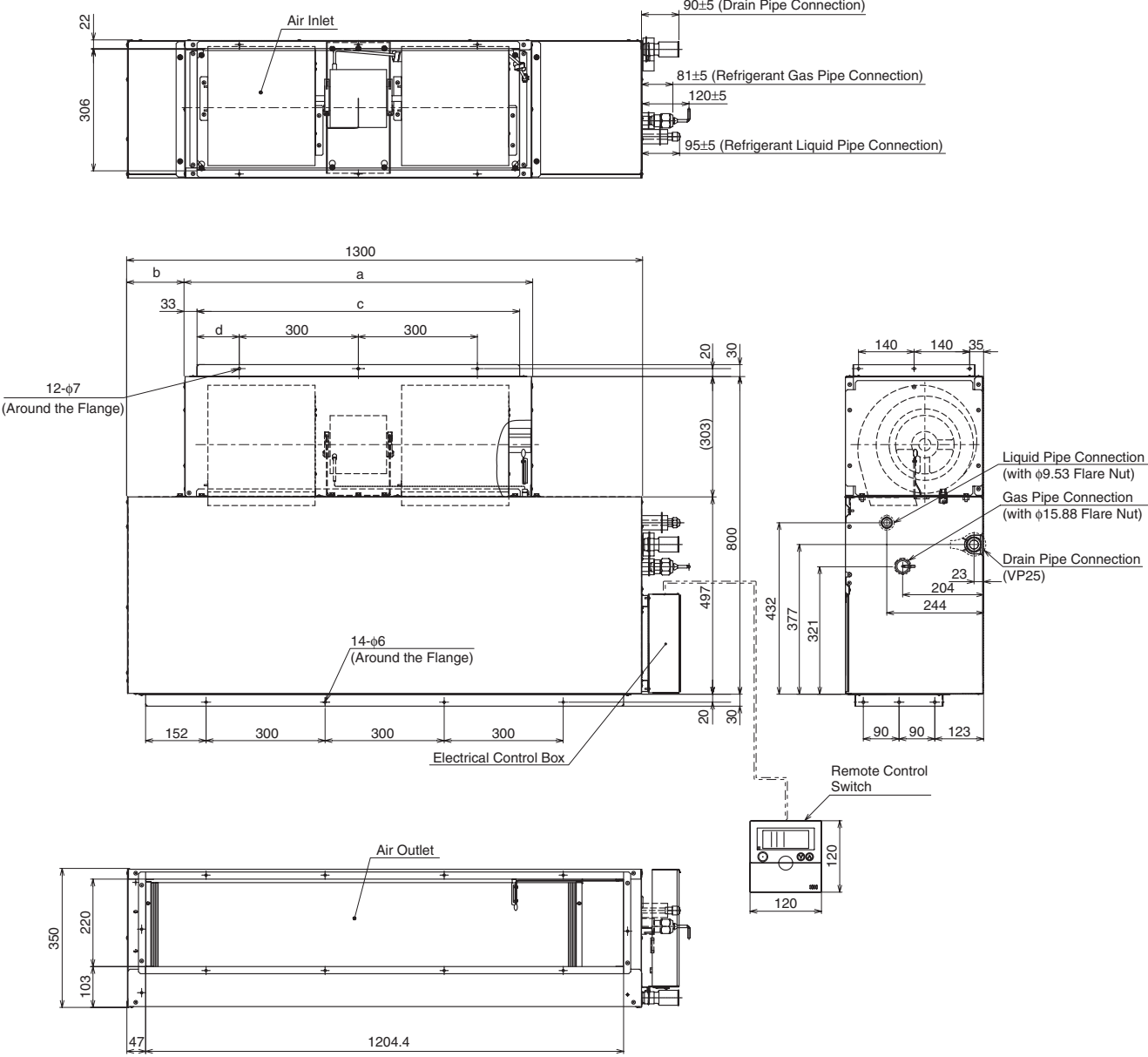


DIMENSIONAL DATA

Models: RPI-5.0FSN1SQ and RPI-6.0FSN1SQ

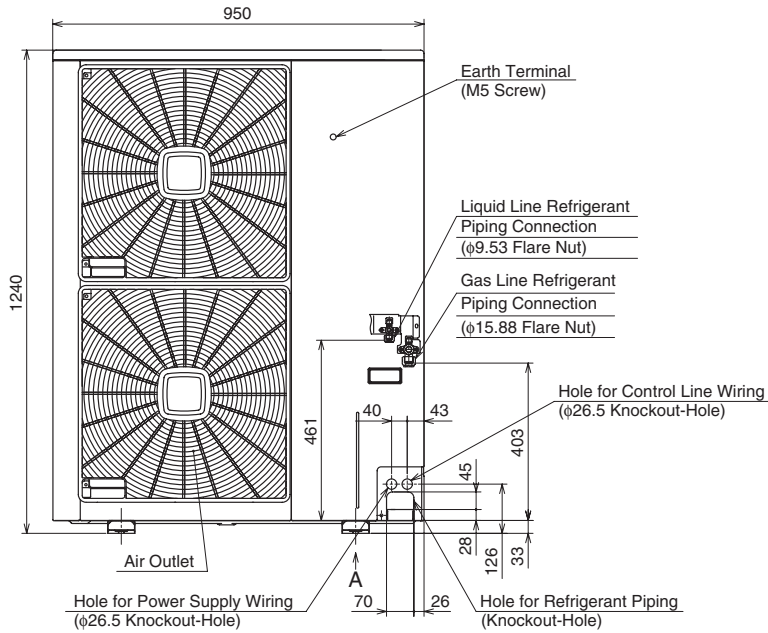
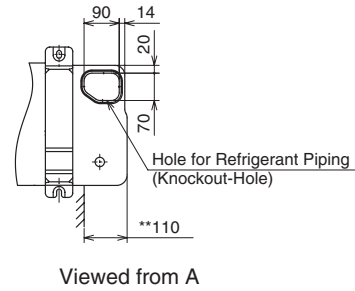
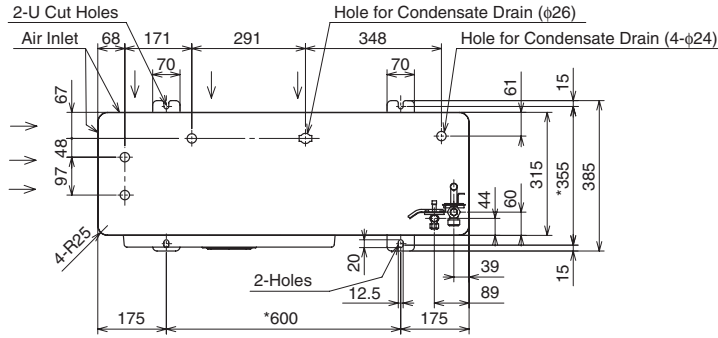


Model	a	b	c	d
RPI-5.0FSN1SQ	879	144	813	106.5
RPI-6.0FSN1SQ	1000	84	934.4	167.2

DIMENSIONAL DATA

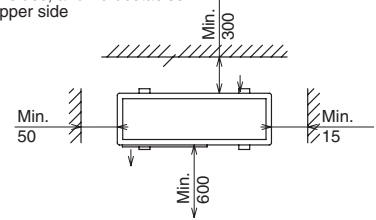
Model: RAS-4HVRN, RAS-5HVRN and RAS-6HVRN

Unit: mm

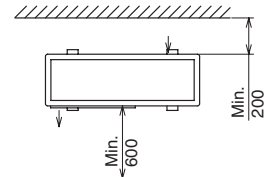


← P

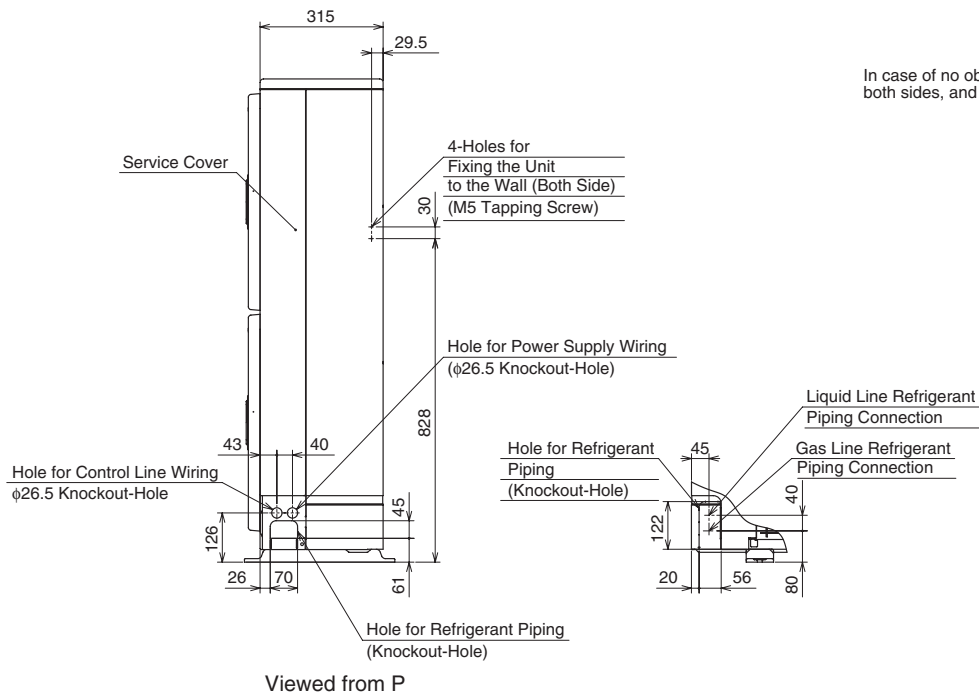
In case of obstacles on both sides, and no obstacles of upper side



In case of no obstacles on both sides, and upper side



Service Space



NOTES:

1. Refrigerant is factory charged for actual piping length and no additional charge less than 30 meters is required in the field. Additional charge more than 30 meters is required in the field.
2. There are stop valves in the cabinet.
3. In the case that dimension of 110 marked with ** is provided, it is possible to perform piping work from the bottom without interference such as foundation, etc.
4. The dimension marked with * indicates the mounting pitch dimension for anchor bolts.
5. Drain water is caused during a defrosting operation.
 - * Choose a place where well drainage is available. Provide a groove for drain.
 - * Do not provide an upward slope from the unit to avoid reverse flow of the drain. Provide a second drainpan under the outdoor unit, to collect drain water securely.