



# APPLICATIONS NOTICE

**temperzone limited**  
Auckland, NEW ZEALAND.  
Phone 0-9-279 5250, Fax 0-9-275 5637  
Email sales@temperzone.co.nz

**temperzone australia pty ltd**  
Sydney, AUSTRALIA.  
Phone (02) 8822 5700, Fax (02) 8822 5711  
Email sales@temperzone.com.au

Form NS 006

**TO :**           **AUTHORISED DEALERS/DISTRIBUTORS**  
**NZ APPROVED INSTALLERS**  
**H.O., REG'L & AUST. MANAGERS**  
**APPLICATION NOTICE GENERAL LIST**

**ISSUE NO. :** 02/10

**DATE :**       **1 SEPTEMBER 2010**  
**FROM :**       **T KING/K EDWARDS**

**SUBJECT :**    **DELAY TIMER REPLACEMENT**

**UNITS :**      **VARIOUS OLD OBSOLETE MODELS**

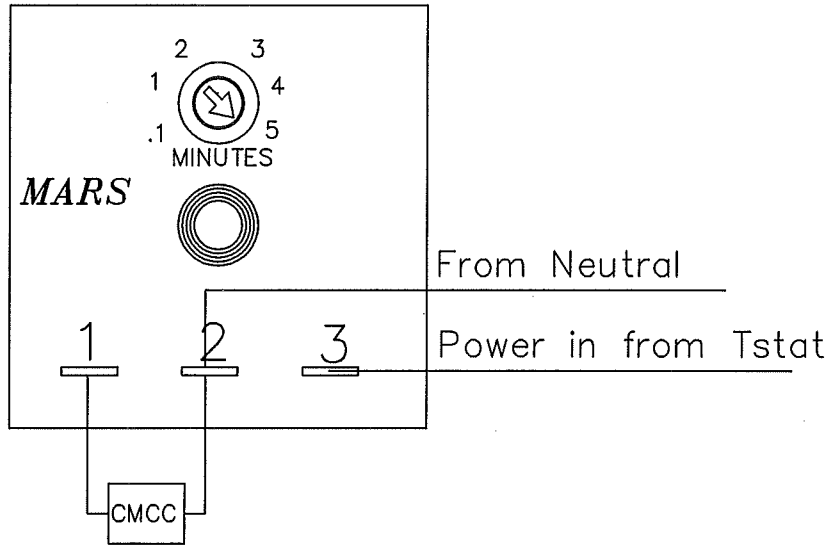
We have discontinued buying the Everwell Time Delay (our part number 012 000 750).

Our stock is now exhausted, so the best we can offer as a replacement is the MARS Time Delay model DOB32392 which is our new part number 012 000 749.

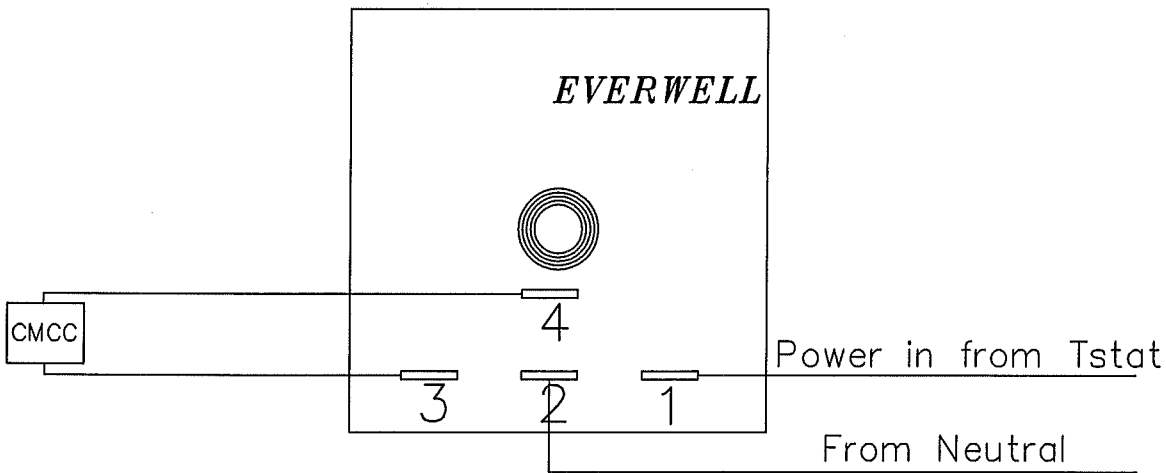
Unfortunately it is not a like for like drop in replacement, the number of terminals is different, 3 pins instead of 4, and the wiring detail is not the same.

The wiring of the replacement is relatively easy and the attached wiring diagram TOK-000-208 shows this clearly.


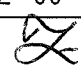
NEW TYPE ADJUSTABLE DELAY TIMER & WIRING: P/N 012000749



OLD TYPE 5 MINUTE DELAY TIMER : P/N 012000750



ISSUE	MODIFICATION	EC/N	DATE	APRVD	DRG No.	DESCRIPTION	Mat.l	FINISH	ASSY No.

Programmed by  ©temperzone ltd 2000	Title <b>T/Z DELAY TIMER CONTROL SCHEMATIC</b>		
			
Drawn B.S Scale	Date 02-09-10 Aprvd 	Drawing No. TOK-000-208	Revision