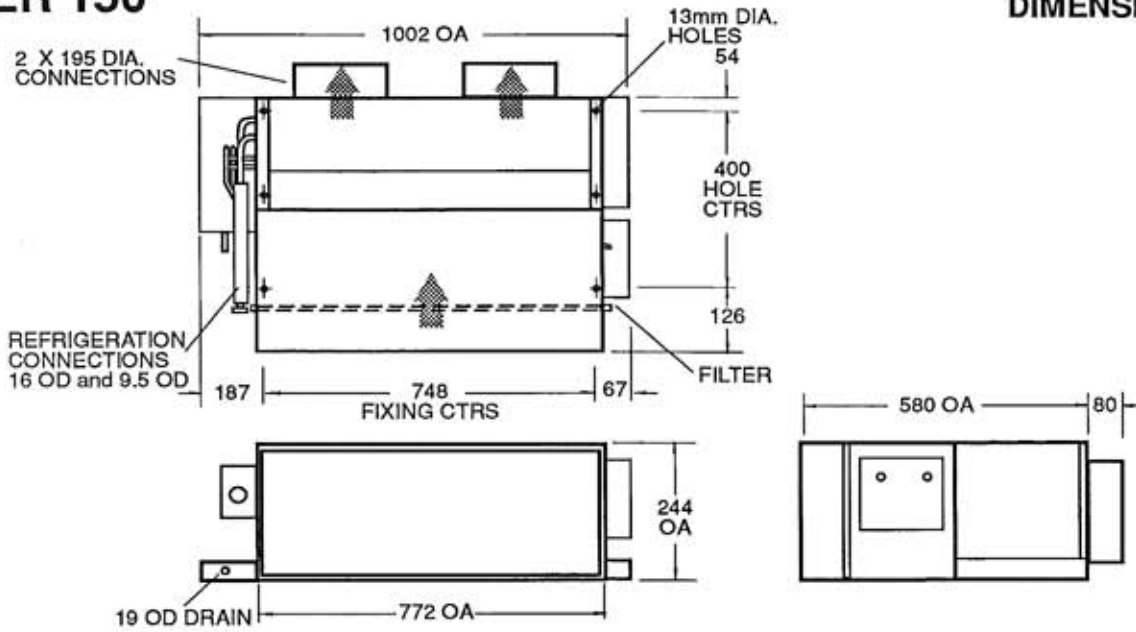


# HSER 150

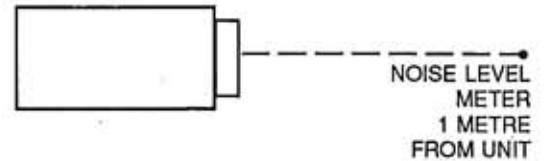
## DIMENSIONS (mm)



HSER 150	dbA	OCTAVE BAND Hz								
		63	125	250	500	1 k	2 k	4 k	8 k	
	@ 1m	SOUND PRESSURE LEVELS db								
		50	60	51	49.5	48	45	42	36	27

Sound Pressure measured in db re 20  $\mu$ Pa

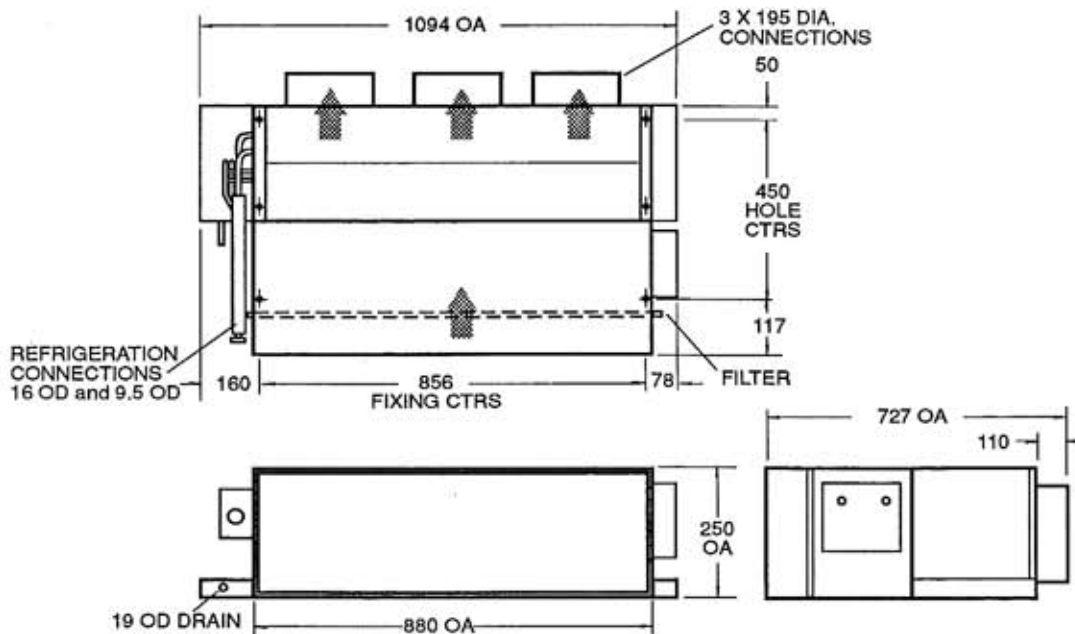
## SOUND LEVELS



Nett Weight 32 kg

# HSER 225

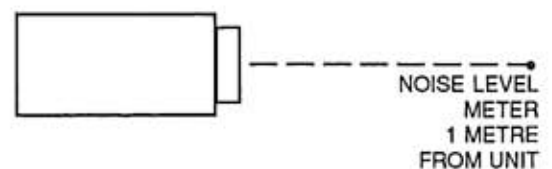
## DIMENSIONS (mm)



HSER 225	dbA	OCTAVE BAND Hz								
		63	125	250	500	1 k	2 k	4 k	8 k	
	@ 1m	SOUND PRESSURE LEVELS db								
		52.5	60	52.5	51	49.5	47.5	44	41	33.5

Sound Pressure measured in db re 20  $\mu$ Pa

## SOUND LEVELS



Nett Weight 33 kg