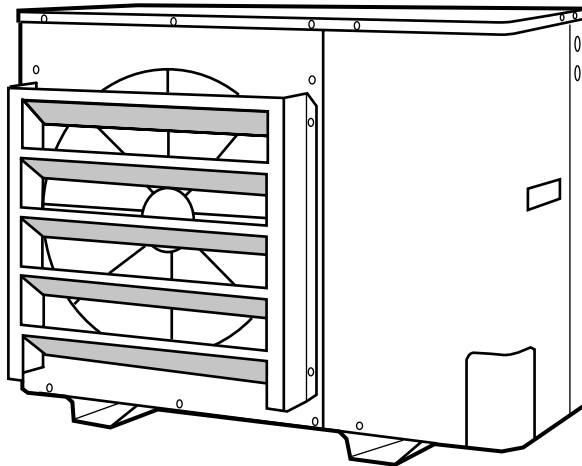


Vertical Discharge Grille

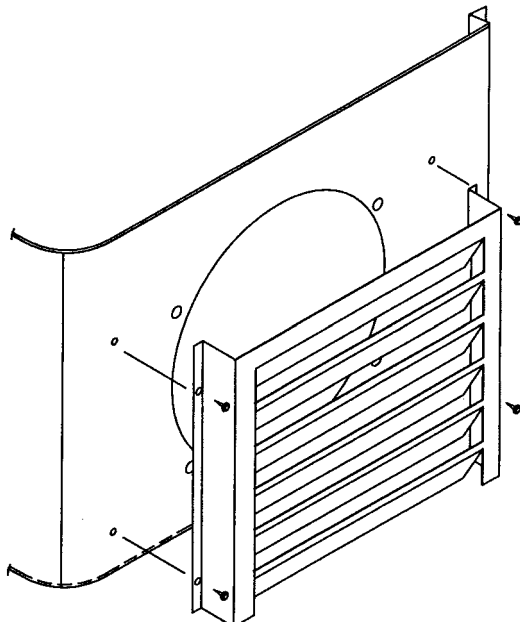
for OSA 55–270 RK

Installation Instructions

OSA 83RKSH c/w Vertical Discharge Grille



Assembly



Note
Materials and specifications subject to change without notice due to the manufacturer's ongoing research and development programme.

GENERAL

The optional Vertical Discharge Grille has been designed for two reasons:

1. To deflect strong prevailing winds that may slow the fan and reduce performance, and
2. Reduce the clearance required in front of the unit (fan outlet) thereby enabling, for example, placement close to a fence, multiple units placed closer together, or protection of garden plants. With the grille fitted the required clearance to the front of the unit (fan grille) is reduced from 2.0 m to 0.6 m.

The Vertical Discharge Grille will fit the following **temperzone** units:

Model	Grille
OSA 55/80 RKSH:	Item No. 526 000 002
OSA 55/80 RKTH:	Item No. 526 000 002
OSA 65/83/86/95/110 RKSH:	Item No. 526 000 004
OSA 95/110/184 RKTH:	Item No. 526 000 004
OSA 114/135/139 RKSH:	Item No. 526 000 005
OSA 114/135/139 RKTH:	Item No. 526 000 005
OSA 140/156 RKSH:	Item No. 526 000 005
OSA 140/156 RKTH:	Item No. 526 000 005
OSA 135/140/156 RKTH:	Item No. 526 000 005
OSA 159/200 RKTH:	Item No. 526 000 003
OSA 230/235/270 RKTH:	Item No. 526 000 005

Note: Models OSA 159, 184, 200, 230, 235 and 270 have two fans and therefore require two grilles per unit.

COMPONENTS

Check that the following items are supplied and are in good order:

1. Vertical discharge grille
2. 4 x 8PK stainless steel screws 12 lg

INSTALLATION

1. The correct orientation for the grille is for the 'C' shaped end to be pointing upwards.
2. Secure the grille to the front of the OSA outdoor unit using, either the four screws located in the pre-drilled holes on the unit or the four screws supplied with the grille.
3. If you have an OSA 159, 184, 200, 230, 235 or 270 model, secure two grilles to the unit.

This pamphlet replaces the previous issue 3703 dated 10/11.
OSA 235 added.