

CWP 225

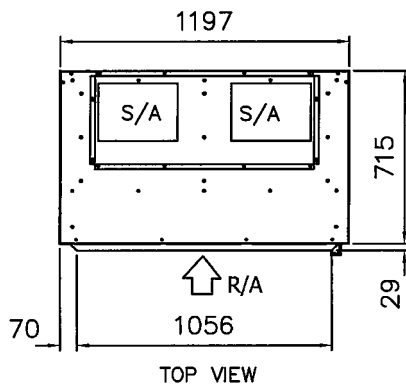
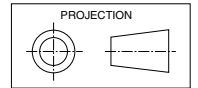
DATA SHEET

Closet Water Cooled R410A Packaged Air Conditioners

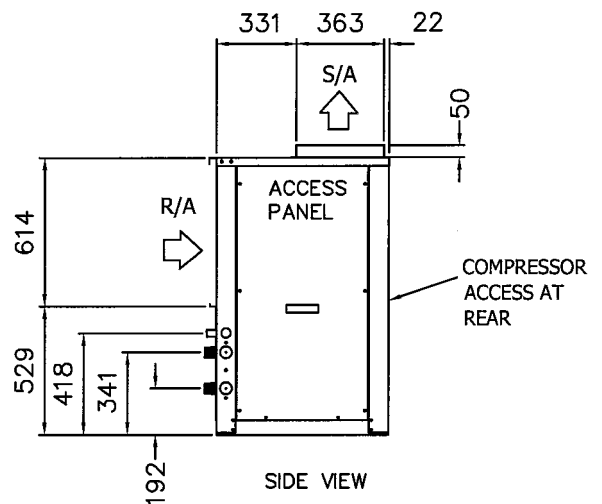
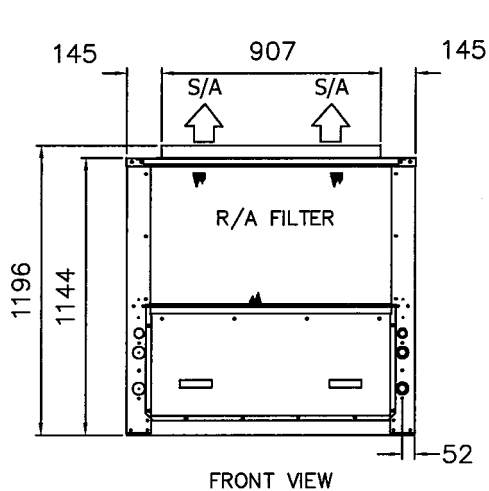
Dimensions (mm)

CWP 225

Not to Scale



Approx. Net Weight 214 kg



COOLING CAPACITY (kW)

AIR FLOW RATE l/s	COIL E.A.T.		LEAVING WATER TEMPERATURE (L.W.T.) °C																							
	W.B. °C	D.B. °C	25				30				35				40				45				50			
			T	S	FL	HR	T	S	FL	HR	T	S	FL	HR	T	S	FL	HR	T	S	FL	HR				
1140	17	23	23.3	16.2	1.0	28.0	22.4	15.8	1.0	27.1	21.4	15.3	1.0	26.2	20.5	14.9	1.0	25.3	19.6	14.6	1.0	24.4	18.5	14.1	1.0	23.2
	19	27	24.6	18.5	1.0	29.4	23.7	18.2	1.0	28.5	22.8	17.8	1.0	27.6	21.9	17.3	1.0	26.6	21.0	16.9	1.0	25.7	20.1	16.4	1.0	24.8
	21	31	26.0	22.1	1.0	30.7	25.1	21.7	1.0	29.8	24.2	21.2	1.0	28.9	23.3	20.8	1.0	28.0	22.4	20.3	1.0	27.1	21.4	19.8	1.0	26.2

T = Total Capacity (kW)
FL = Water Flow (l/s)

S = Sensible Capacity (kW)
E.A.T. = Entering Air Temperature (°C)

HR = Heat Rejection (kW)
○ = Nominal Capacity (kW)

NOTE: Capacities are **gross** and do not include allowance for fan motor heat loss. For fan motor heat loss refer to Air Handling Performance. Water flow and cooling capacity based on 5 °C water temp. difference.

HEATING CAPACITY (kW)

CWP***R** Reverse Cycle version

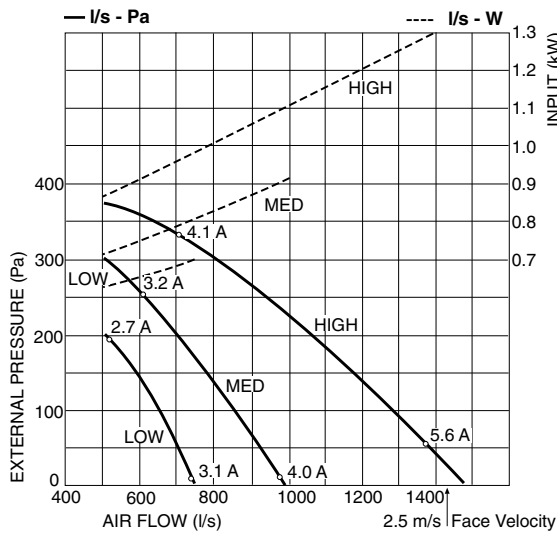
CWP 225

MODEL	WATER FLOW RATE l/s	COIL E.A.T. D.B. °C	LEAVING WATER TEMPERATURE (L.W.T.) °C											
			12.5				15.5				18.5			
			HC	HAb	EWT	INPT	HC	HAb	EWT	INPT	HC	HAb	EWT	INPT
CWP 225R	1.0	18	20.0	14.5	17.0	4.4	21.3	15.7	20.3	4.5	22.9	17.0	23.7	4.7
		21	19.8	14.1	17.0	4.6	21.2	15.3	20.3	4.8	22.8	16.6	23.6	5.1
		25	19.7	13.6	16.9	5.0	21.2	14.8	20.3	5.2	22.7	16.1	23.6	5.4

HC = Heating Capacity (kW)
HAb = Heat Absorbed (kW)
○ = Nominal Capacity (kW)
EWT = Entering Water Temperature (°C) (Minimum required 17°C)
INPT = Compressor Input (kW)
E.A.T. = Entering Air Temperature (°C)

AIR HANDLING PERFORMANCE

Without Filter



EU2 rated Filter	Coil Face Velocity	
	1.5 m/s	2.0 m/s
	18 Pa	30 Pa

QUICK REFERENCE

Electrical Input (Cooling)	6.23 kW
E.E.R. (Cooling)	3.52
Running Amps/ph. (Total)	15.3 / 10.3 / 10.5
Fan Motor Full Load Amps	5.0
Electrical Supply Required	3 ph. 380-415V ±10% a.c. 50 Hz
Recom'd External Fuse Size	32 A
Refrigerant	HFC-410A (R410A)
Water Flow	1.0 l/s
Water Coil Pressure Drop	27.6 kPa (4 psi)
Filter (EU2 rated)	fitted
Electric Heat Option	6.5 kW

Note

- In tropical (high humidity) conditions care must be taken to select an air flow which gives a suitable coil face air velocity, to prevent water carry over.
- For applications with low resistance be sure not to exceed the fan motor full load amps.
- Applications using full or high proportions of fresh air should be referred to **temperzone** engineering office to establish the correct selection of units.

SOUND LEVELS

Note: SPL measured to JIS 8616 (1m from source in an anechoic chamber)

SUPPLY AIR OUTLET

MODEL	FAN SPEED	AIR FLOW l/s	SOUND PRESSURE LEVELS (SPL) dB(A)	SOUND POWER LEVELS (SWL) dB						
				SWL dB(A)	OCTAVE BAND FREQ. Hz					
					125	250	500	1 k	2 k	4 k
CWP 225	LOW	700	55	63	62	60	62	59	55	47
	MED	900	60	68	66	65	65	64	61	55
	HIGH	1300	67	75	73	72	70	70	69	64

Sound Pressure Levels (SPL) Within A Room

Deduct the room absorption effect below from the Sound Power Levels (SWL) above to obtain Sound Pressure Levels within a room. Note: Occupant at least 1.5 m from sound source.

ROOM TYPE	OCTAVE BAND FREQ. Hz					
	125	250	500	1k	2k	4k
	ROOM ABSORPTION EFFECT					
SOFT	4	8	11	11	11	11
MEDIUM	3	7	8	9	9	9
HARD	0	1	3	4	4	5

NOTE

The manufacturer reserves the right to change specifications at any time without notice or obligation. Certified data available on request.