

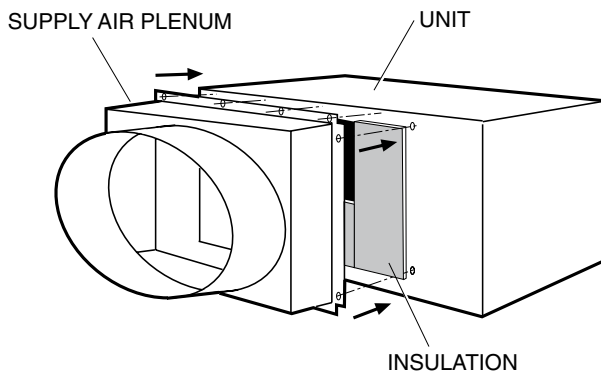
Supply & Return Air Plenums

for ISD 83K–298K, IMD 95–280

Installation Instructions

Fig.1 Supply Air Plenum

ISD 83K shown



GENERAL

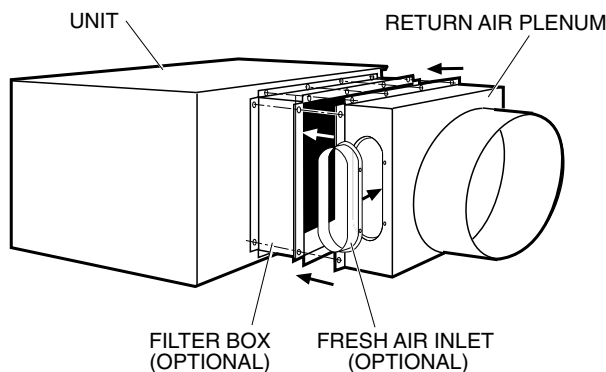
The optional Supply and Return Air Plenums have been designed to conveniently fit the following **temperzone** units:

Supply Air Plenums

Model	Outlets	Size	Item No.
ISD 83K:	2	Ø300	325 000 037
ISD 96/110 K:	2	Ø350	325 000 039
ISD 135/155 K:	3	Ø350	325 000 041
ISD 156/200/230 K:	3	Ø400	325 000 043
ISD 270/298 K:	3	Ø400	525 000 070
IMD 95:	1	Ø400	325 000 035
IMD 95:	2	Ø300	325 000 037
IMD 135, 170:	2	Ø350	325 000 039
IMD 210:	3	Ø350	325 000 041
IMD 280:	3	Ø400	325 000 043

Fig.2 Return Air Plenum

ISD 83K shown



Return Air Plenums

Model	Inlets	Size	Item No.
ISD 83K:	2	Ø300	525 000 054
ISD 96/110 K:	2	Ø350	525 000 055
ISD 135/155 K:	2	Ø400	525 000 056
ISD 156K:	2	Ø450	525 000 061
ISD 200K:	2	Ø450	525 000 060
ISD 230K:	2	Ø450	525 000 061
ISD 270/298 K:	3	Ø400	525 000 059
IMD 95	1	Ø400	325 000 055
IMD 135:	2	Ø300	325 000 059
IMD 170:	2	Ø350	325 000 061
IMD 210:	2	Ø400	325 000 063
IMD 280:	2	Ø450	325 000 065

Fresh Air Inlet Spigot (option)

ISD 83–155 K:	Ø150	325 000 051
ISD 156–298 K:	Ø200	325 000 052
IMD 95–210:	Ø150	325 000 051
IMD 280:	Ø200	325 000 052

Insulation Positions (Supply Air Side)

Not to Scale

Fig.3 ISD 83K–110K, IMD 95–170

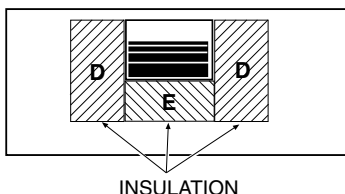


Fig.4 ISD 135/155K, IMD 210

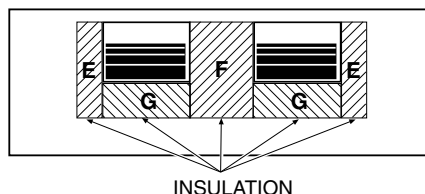


Fig.5 ISD 156K–230K, IMD 280

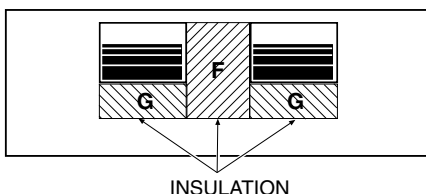
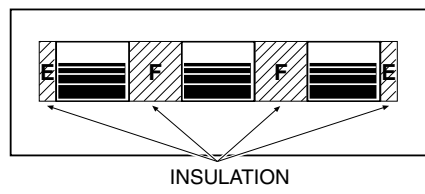


Fig.6 ISD 270/298 K



COMPONENTS

Supply Air Plenum

Check that the following items are supplied and are in good order:

1. Supply Air Plenum.
2. Mounting screws.
3. Insulation material, adhesive backed (not required if using Heater Kit spacer).

If the supply air plenum is to be used in conjunction with the **temperzone** electric heater box, a spacer plate (supplied separately) is required between the heater box and the S/A plenum; refer to Electric Heat kit installation instructions.

Return Air Plenum

Check that the following items are supplied and are in good order:

1. Return Air Plenum.
2. Mounting screws.

Fresh Air Inlet Spigot

Check that the following items are supplied and are in good order:

1. Fresh air inlet spigot
2. Four 6 x 10 lg PK screws.

INSTALLATION

Supply Air Plenums

1. Remove the existing supply air spigot and retain the securing screws.
2. Secure the adhesive backed insulation pieces to the unit, as per figures 3, 4 & 5.
3. Mount the supply air plenum using the same screws removed above.

Fresh Air Inlets (option)

Secure the fresh air inlet spigot to the appropriate Return Air plenum prior to plenum installation, as follows:

1. Knockout the pre-punched template in either the left or right side of the return air plenum.
2. Use a sharp knife to cut the plenum's insulation to the same shape as the inlet.
3. Secure the inlet spigot to the plenum using the four screws supplied.

Return Air Plenums

1. Remove the existing return air spigot and retain the securing screws.
2. Mount the return air plenum using the same screws removed above.

Note

Materials and specifications subject to change without notice due to the manufacturer's ongoing research and development programme.

This pamphlet replaces the previous issue no. 3294 dated 01/10. ISD 155K & 156K added; ISD 80/95/160K removed.