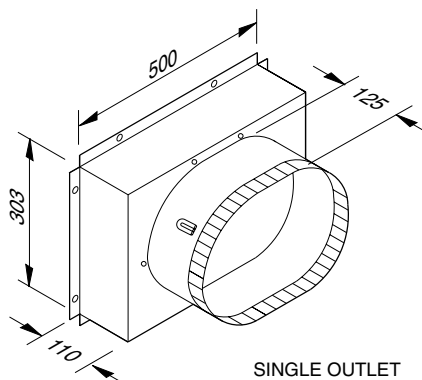


# Supply & Return Air Plenums

# DATA SHEET

for ISD 83K–298K, IMD 95–280

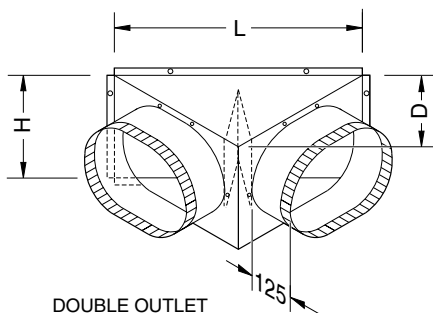
## Supply Air Plenums



SINGLE OUTLET

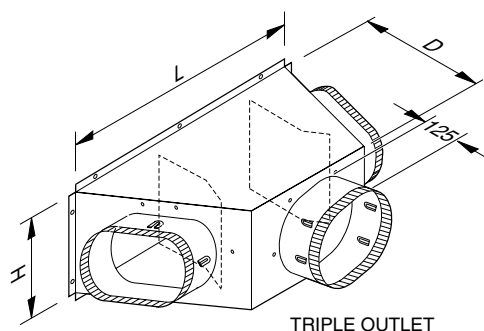
### Features

- Designed to conveniently adapt popular **temperzone** units to flexible ducting systems.
- Made to fit standard units (ISD 83K–270K and IMD 95–280 models).
- Available ex-stock.
- Purchase all your needs from one supplier – one purchase order – one delivery.
- Screws supplied for quick fitting to pre-drilled holes in unit.
- Very competitive price
- Robust galvanised steel construction
- Insulated with foil faced closed cell foam.
- Outlets sized for minimal duct resistance.
- Built-in air diverters (splitters) supplied for multi-outlet supply air plenums to improve airflow and reduce noise.
- Outlets fit standard duct sizes.
- Choice of plenums with varying outlets (for some units).
- Laboratory tested to optimise performance.

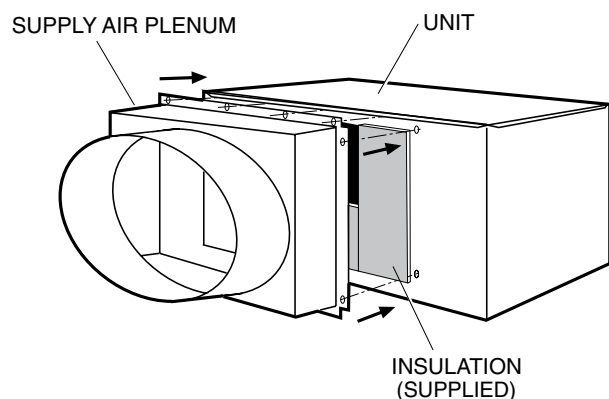


DOUBLE OUTLET

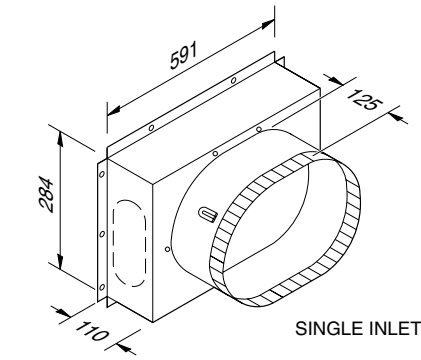
Item No.	Compatible Model/s	No. of Outlets	Outlet Size	Dimensions (L x H x D)
325 000 035	for ISD 83K, IMD 95	1	Ø400	500 x 303 x 110
325 000 037	for ISD 83K, IMD 95	2	Ø300	500 x 303 x 410
325 000 039	for ISD 96/110 K	2	Ø350	700 x 260 x 520
325 000 039	for IMD 135, 170	2	Ø350	700 x 260 x 520
325 000 041	for ISD 135/155 K, IMD 210	3	Ø350	860 x 274 x 542
325 000 043	for ISD 156/200/230 K, IMD 280	3	Ø400	854 x 320 x 615
525 000 070	for ISD 270K, 298K	3	Ø400	1365 x 430 x 110



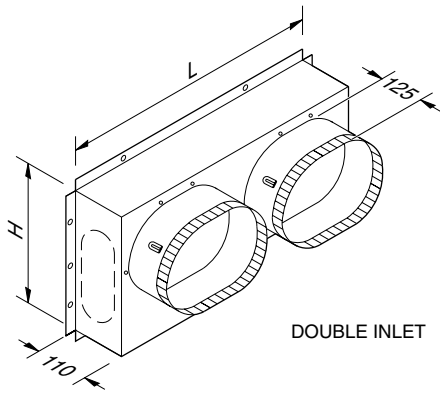
TRIPLE OUTLET



## Return Air Plenums



SINGLE INLET



DOUBLE INLET

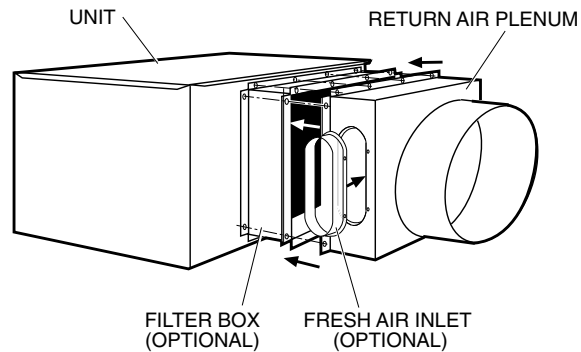
### Features

- Designed to conveniently adapt popular **temperzone** units to flexible ducting systems.
- Made to fit standard units (ISD 83K–270K and IMD 95–280 models).
- Available ex-stock.
- Purchase all your needs from one supplier – one purchase order – one delivery.
- Screws supplied for quick fitting to pre-drilled holes in unit.
- Very competitive price.
- Robust galvanised steel construction.
- Insulated with foil faced closed cell foam.
- Inlets sized for minimal duct resistance.
- Inlets fit standard duct sizes.
- Laboratory tested to optimise performance.
- Optional fresh air inlet spigot available to fit pre-punched knockouts on plenum's left or right sides.

Item No.	Compatible Model/s	No. of Inlets	Outlet Size	Dimensions (L x H)
525 000 054	for ISD 83K	2	Ø300	660 x 335
525 000 055	for ISD 96K, 110K	2	Ø350	787 x 335
525 000 056	for ISD 135K, 155K	2	Ø400	880 x 333
525 000 061	for ISD 156K	2	Ø450	1426 x 333
525 000 060	for ISD 200K	2	Ø450	1236 x 333
525 000 061	for ISD 230K	2	Ø450	1426 x 333
525 000 059	for ISD 270K, 298K	3	Ø400	1527 x 462
325 000 055	for IMD 95	1	Ø400	591 x 284
325 000 059	for IMD 135	2	Ø300	766 x 284
325 000 061	for IMD 170	2	Ø350	913 x 284
325 000 063	for IMD 210	2	Ø400	1060 x 284
325 000 065	for IMD 280	2	Ø450	1182 x 352

### Fresh Air Inlet Spigot (Optional)

325 000 051	for ISD 83K–155K, IMD 95–210	Ø150
325 000 052	for ISD 156K–270K, IMD 280	Ø200



### NOTE

The manufacturer reserves the right to make changes in specifications at any time without notice or obligation. Certified dimensions available on request.



### temperzone limited

Head Office, Auckland : 38 Tidal Rd, Mangere, N.Z.  
Private Bag 93303, Otahuhu, NEW ZEALAND.  
Email sales@temperzone.co.nz Website: www.temperzone.biz

### temperzone australia pty ltd

Head Office, Sydney : 7A Bessemer St  
PO Box 6448, Delivery Centre, Blacktown, NSW 2148,  
AUSTRALIA. Email sales@temperzone.com.au

#### AUCKLAND

Ph. 0-9-279 5250  
Fax 0-9-275 5637

#### WELLINGTON

Ph. 0-4-569 3262  
Fax 0-4-566 6249

#### CHRISTCHURCH

Ph. 0-3-379 3216  
Fax 0-3-379 5956

#### SYDNEY

Ph. (02) 8822-5700  
Fax (02) 8822-5711

#### ADELAIDE

Ph. (08) 8333-1833  
Fax (08) 8333-1844

#### SINGAPORE

Ph. SNG 6733 4292  
Fax SNG 6235 7180

#### MELBOURNE

Ph. (03) 8769-7600  
Fax (03) 8769-7601

#### BRISBANE

Ph. (07) 3308-8333  
Fax (07) 3308-8330

#### NEWCASTLE

Ph. (02) 4962-1155  
Fax (02) 4961-5101



#### PERTH

Ph. (08) 9314-3844  
Fax (08) 9314-3855

#### TOWNSVILLE

Ph. (07) 4773-9566  
Fax (07) 4773-9166

#### HOBART

Ph. (03) 6272-0066  
Fax (03) 6272-0506

Available from