

# OSA 150

## Split System Outdoor Unit

## Installation & Maintenance

### GENERAL

**OSA 150** - A general designation for outdoor unit

**OSA 150C** - Outdoor unit, cooling only version

**OSA 150R** - Outdoor unit, reverse cycle version

This OSA 150 Outdoor Unit must be installed in accordance with all national and local safety codes.

Note: All OSA 150R units connected to an ISK indoor unit must have an ISK/OSA reverse cycle kit fitted.

### INSTALLATION

#### Positioning

Refer to dimension diagram below for minimum clearances. Position the unit so that prevailing winds do not blow onto the exhaust to slow the fan, and one unit does not exhaust toward the inlet of another unit.

Mount either free standing or on a wall using the optional mounting brackets available.

#### Free Standing :

Fasten the unit down to a firm flat horizontal base using the four holes provided in the mounting rails.

When the unit is being installed on a roof it is recommended that the unit is installed on a substantial structure with vibration isolating springs beneath the unit. These springs are not supplied with the unit.

#### Wall Mounting Option:

Complete wall mounting instructions are supplied with the optional wall mounting kit.

#### Drain

Install the unit with a positive fall to the rear to ensure condensate and/or rain water drains away freely through the drain holes provided. For a totally drip free installation mount the unit in a separate drain tray.

### REFRIGERATION PIPING

#### General

The OSA 150 is shipped with a refrigerant charge sufficient for a 10 m line length. The matched indoor unit is shipped with a holding charge of nitrogen. OSA 150 units have one flare and one brazed pipe connection.

### Recommended Pipe Sizes

Suction pipe : 22 mm OD

Liquid pipe : 13 mm OD

### Line Lengths

Maximum extended line length is 50 m.

Refer also to *Oil Charge* overleaf.

### Height Separation Limits

#### Reverse Cycle Systems

Outdoor Unit above Indoor Unit : 12 m

Outdoor Unit below Indoor Unit : 12 m

#### Cooling Only Systems

Outdoor Unit above Indoor Unit : 18 m

Outdoor Unit below Indoor Unit : 12 m

### Vertical Risers

If the outdoor unit is to be installed above the indoor unit, then the suction riser should be trapped at the bottom of the vertical rise and then again at 5 m (maximum) intervals. This is to ensure oil return to the compressor. The trap to be a 'swan neck' curve in the pipe, with no change in the pipe size.

### Piping

1. Use clean sealed refrigeration grade piping.
2. Cut pipe with a pipe cutter ONLY.
3. Use long radius bends (2x pipe dia.).
4. Insulate the suction (gas) line and seal all insulation joints.
5. Filter dryers may be fitted in the liquid line (bi-flow type on reverse cycle systems).
6. Include a process point in the interconnecting pipework.
7. Ensure open pipe ends are sealed until the final connection is made.
8. **Caution:** To avoid damage to teflon seals, braze suction pipework to stub connection (supplied loose) **before** connecting to unit's valve.
9. Remove valve's dust cap and lubricate teflon seal with refrigeration oil prior to final assembly and connection.

### Charging

The unit is supplied with 3.8 kg of refrigerant HCFC-22 (R22) which is sufficient for 10–20 m of pipework depending on the indoor unit connected:

ISD 150, GME 502 10 m

ISK 150 22 m

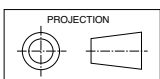
Add, or subtract, 60 g of HCFC-22 per metre to suit the installed line length.

#### Procedure:

1. Evacuate Indoor Unit and interconnecting pipework to a pressure of 500 microns and hold for 15 mins.

## Dimensions (mm)

## OSA 150

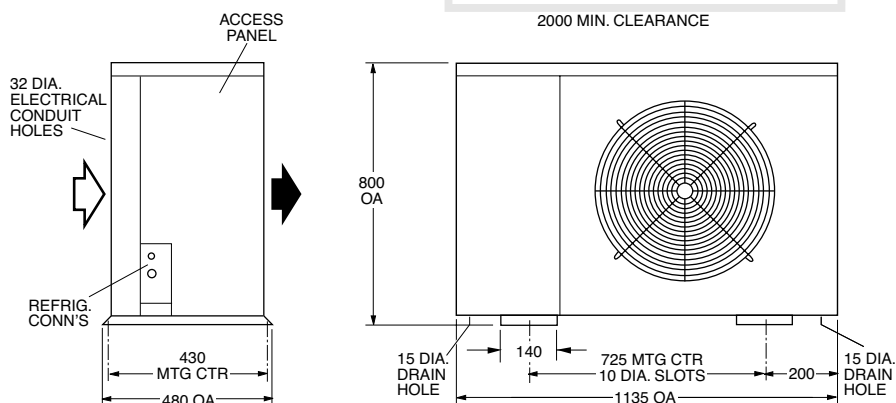


Not to Scale

### Net Weight

OSA 150C 108 kg

OSA 150R 113 kg



- Add refrigerant, if needed, via the Schraeder connection on the smaller of the Outdoor Unit's two service valves.
- Open the service valve at the Outdoor Unit to allow refrigerant to flow throughout the system.
- Leak check all brazed and fitted joints.

**IMPORTANT :**

Step 8 of the 'Start Up Procedure' requires you to check that the superheat on the suction line (where it enters the Outdoor Unit) is between 3°C - 5°C on cooling cycle with an indoor air temperature in the range 21° - 27°C and outdoor air temperature in the range 24° - 35°C. If the conditions of the day do not allow this, use the heating cycle (on a reverse cycle unit) or other heat source to raise the indoor air temperature to about 24°C and blank off the outdoor coil to raise the head pressure to 240–280 psig (1750–1950 kPag). Alter charge up or down to establish correct superheat.

**WARNING:**

This unit is designed for use ONLY with the refrigerant HCFC-22. The use of other refrigerants is NOT authorised or approved by the manufacturer and may cause operational problems such as poor performance and efficiency, loss of capacity, degradation of materials and refrigerant leaks. **The use of flammable or explosive materials as a refrigerant creates the additional risks of fire and explosion which may result in property damage, personal injury or death.**

**Oil Charge**

For line lengths in excess of 30 m, *Emcarate RL22CF* polyol ester oil (or similar) should be added to the refrigerant at the rate of 13 ml/m of suction piping. **Note:** Do not use mineral oil.

**ELECTRICAL REQUIREMENTS**

Electrical work must be done by a qualified electrician. The outdoor unit must be wired directly from a distribution board by means of a circuit breaker or H.R.C. fuse, and a mains isolator provided - preferably close to the Outdoor Unit.

**Note:** DO NOT USE REWIRABLE FUSES.

*OSA 150R only* - It is recommended electricians run two spare wires between Outdoor Unit and Indoor Unit in case one, or both, of the following options becomes a requirement. **Note:** Leave the wires unconnected until required.

- Option 1* - Indoor Fan Off During De-Ice.
- Option 2* - Electric Boost Heat.

Refer indoor unit's wiring diagram.

Standard units are suitable for use with thermostats with either manual Heat/Cool selection or automatic changeover subject to the contact ratings of the thermostats.

Refer to separate pamphlet for recommended thermostats, or contact the manufacturer's nearest sales office.

A 24 hour power supply to the crankcase heaters is required, otherwise the warranty is void.

**SYSTEM CHECK TESTS**

- Leave the remote switch in the off position and close the mains isolating switch.  
A four hour delay period is required to allow the crankcase heater to drive any liquid refrigerant out of the compressor oil.
- Check that all fan motors are free running.
- Check for correct rotation of the compressor. If rotation is incorrect the compressor will not pump, be noisy, and will draw minimal current. To correct motor rotation, change the phasing at the main power terminal.
- Check that the thermostat is correctly wired to the unit and is set at the desired temperature.
- Check that the air filters, if any, have been correctly installed.
- Check any supply air diffuser dampers are open.

**START UP PROCEDURE**

Use the supplied Commissioning Sheet to help you complete the following procedure:

- Switch on the unit after the four hour delay period for the crankcase heater has expired.
- Check the supply voltage.
- Measure the current draw on the compressor motor and on each fan motor. Check all readings against the specified values - particularly the indoor fan amps if the unit is installed in a free blow application.
- Fit gauges and measure the suction and discharge pressures.
- Test the operation of the high pressure safety control by switching off the outdoor unit's fan.
- Test the operation of the reversing valve by running the unit in both the heating and cooling mode (*OSA 150R only*).
- Check that the air flow over the outdoor unit's coil is adequate and that the fan is running smoothly.
- Check the superheat - refer charging procedure.
- Check the supply air flow at each outlet.
- Touch up any outdoor unit paintwork damage to prevent corrosion.

**OUTDOOR UNIT CONTROLLER (OUC) (OSA 150R only)**

The Outdoor Unit Controller (OUC) includes a temperature sensing head pressure control which enables the system to run efficiently on cooling cycle at outdoor ambient temperatures below 20°C, and heating cycle above 15°C. The OUC also has features which protect against icing or overheating of coils, rapid cycling of the compressor and loss of refrigerant charge.

If the outdoor unit fans take some time to begin rotating when the system is powered on, or they don't appear to be rotating appropriately while the compressor is running, consult the OUC label on the electrical box. If necessary, refer to **temperzone** for further diagnostic information.

**MAINTENANCE**

**Weekly For First Four Weeks**

- Check indoor unit air filters (if fitted) and vacuum or wash clean as necessary.
- Check condensate drain for free drainage.
- Check compressor compartment for oil stains indicating refrigerant leaks.
- Check tightness of electrical connections.

**Six Monthly**

- Check the tightness of all fan and motor mountings.
- Check tightness of electrical connections.
- Check that fan motors are free running.
- Check suction and discharge operating pressures.
- Replace indoor unit air filters (if fitted).
- Check condensate drain for free drainage.

**Yearly**

- Check all refrigerant piping for chafing and vibration.
- Check the operation of electric heaters if fitted.
- Check air supply at all diffusers.
- Check for excessive noise and vibration and correct as necessary.
- Check for insulation and duct damage and repair as necessary.
- Remove lint and dust accumulation from outdoor coil fins.
- Touch up all outdoor unit paintwork damage to prevent corrosion.

**NOTE**

The manufacturer reserves the right to change specifications at any time without notice or obligation. Certified dimensions available on request.

This pamphlet replaces the previous issue no. 2393 dated 07/04. Oil charge.

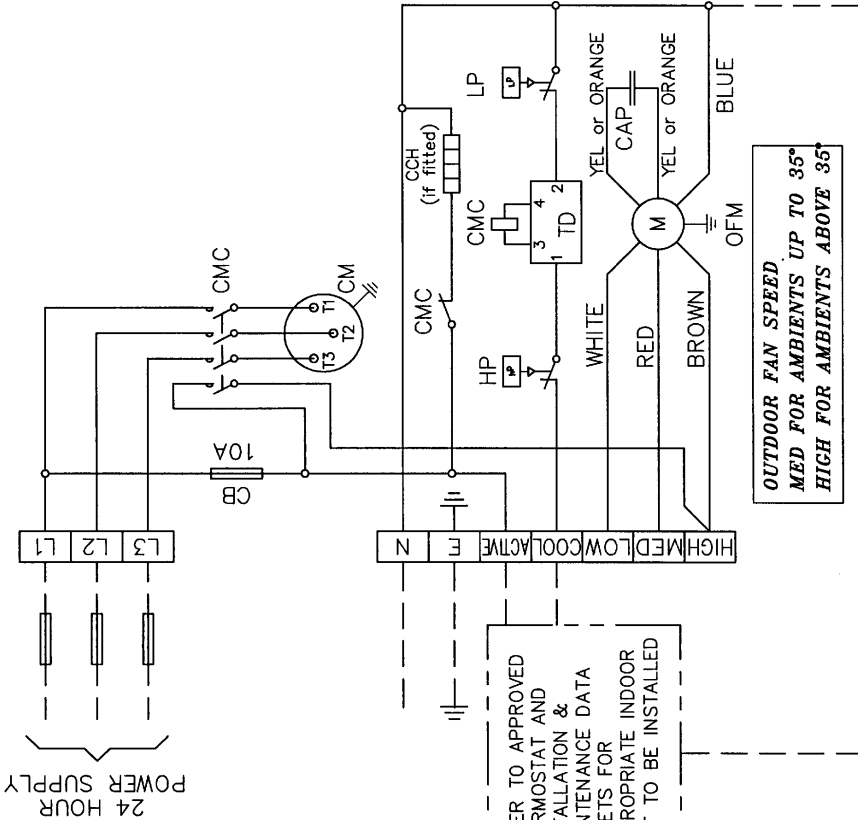
**Pipe Length Capacity Loss**

**On Cooling Cycle Due to Pressure Drop**

**Note :** Loss percentages are approximations only, due to piping variations. No allowance made for vertical piping.

Pipe Size (mm)		Equivalent Line Pipe Length (m)					Additional Pipe Length to allow per Bend	
Liquid	Suction	5	10	15	20	30	Suction Pipe Size OD	22 mm
13	22	0.7 %	2.1 %	3.4 %	4.7 %	6.1 %	Long 90° Radius (2 x pipe dia.)	0.5 m

**IMPORTANT NOTE:**  
 THIS COMPRESSOR IS DIRECTIONAL.  
 ENSURE COMPRESSOR IS ROTATING IN CORRECT DIRECTION.  
 WRONG DIRECTION WILL CAUSE NOISY OPERATION  
 AND WILL NOT PUMP.  
 REVERSE TWO PHASES TO CHANGE DIRECTION.



REFER TO APPROVED THERMOSTAT AND INSTALLATION & MAINTENANCE DATA SHEETS FOR APPROPRIATE INDOOR UNIT TO BE INSTALLED

OUTDOOR FAN SPEED MED FOR AMBIENTS UP TO 35° HIGH FOR AMBIENTS ABOVE 35°

OUTDOOR UNIT :- OSA 150 C	ISD 150 GME 502
WITH INDOOR UNIT	
CAPACITIES - NET to AS/NZS 3823	
COOLING - kW	14.2
	14.4
ELECTRICAL INPUT @ 3PH 400V ~ 50HZ	
COOLING - kW	5.5
	5.0
E.E.R. (COOLING) kW/kW	2.582
ELECTRICAL	2.880
SUPPLY REQUIRED 3PH 342-436V ~ 50Hz INCLUDING VOLTAGE FLUCTUATION LIMITS	
COMPRESSOR (3PH) RUN AMPS RATED CONDITIONS	A 7.8
COMPRESSOR (3PH) STARTING AMPS	A 10
	10
INDOOR FAN MOTOR (1PH) FULL LOAD AMPS	A 5.7
	0.7 X2
INDOOR FAN MOTOR CAPACITOR	MFD 10
	3.5
OUTDOOR FAN MOTOR (1PH) FULL LOAD AMPS	A 1.1
	1.1
OUTDOOR FAN MOTOR CAPACITOR	MFD 6
	6
RUNNING AMPS (TOTAL)	12/8/8
	11/8/8
RECOMMENDED EXTERNAL FUSE SIZE	A 25
	25
WEIGHT - NETT OSA 150 C 108 Kg	
REFRIGERANT - HCFC (R22)	
UNIT PRECHARGED 3.8 Kg for following line length in metre	10
	10
BASE CHARGE UNIT	kg 3.2
	3.2
ADDITIONAL CHARGE FOR LINE LENGTH	grams per metre 60
	60
BASED ON Ø12.7 OD LIQUID LINE & Ø22 OD GAS LINE	

CAP	CAPACITOR
CB	CIRCUIT BREAKER
CCH	CRANK CASE HEATER
CM	COMPRESSOR MOTOR
CMC	COMPRESSOR CONTACTOR
HP	HI PRESSURE CONTROL
LP	LOW PRESSURE CONTROL
OFM	OUTDOOR FAN MOTOR
TD	TIME DELAY 6 MINS

NOTE:  
 CHECK WIRING BEFORE SWITCHING ON,  
 INCORRECT CONNECTION WILL DAMAGE  
 MOTORS  
 CLIENT WIRING --- --- ---  
 Interconnections between units by  
 client. Double insulated multi-core  
 cable.

Programmed by

Title OSA 150 C WIRING SCHEMATIC

temperson

Revision Drawing No. 327-364-002 A

Date 07-05-03

Scale 1:1

Drawn D.A.B

PLOTTED 16-05-03

©temperson ltd 2003

ISSUE	MODIFICATION	ECN	DATE	APRVD	DRG SIZE	No.	DESCRIPTION	Mat.l	FINISH	ASSTY
A	DRAWING No. WAS 011-754-001	9.30	07-05-03	D.A.B						

